

[54] EGG CARTON

[75] Inventors: **Kenneth D. Bixler**, Huntington, N.Y.;
Henry A. Lord, Cape Elizabeth, Me.;
Richard F. Reifers, New Canaan,
Conn.

[73] Assignee: **Diamond International Corporation**,
New York, N.Y.

[**] Term: **14 Years**

[21] Appl. No.: **306,978**

[22] Filed: **Sep. 29, 1981**

[52] U.S. Cl. **D9/345; D9/426**

[58] Field of Search **229/29 M, 45 EC, 44 EC,**
229/2.5 EC; D9/345, 426, 425

[56] **References Cited**

U.S. PATENT DOCUMENTS

D. 263,680	4/1982	Schroder	D9/425 X
3,643,855	2/1972	Donaldson	229/29 M X
3,920,178	11/1975	Moller	229/25 EC
4,025,038	5/1977	Reifers et al.	229/29 M X
4,087,042	5/1978	Moller	229/29 M X

Primary Examiner—Robert C. Spangler
Attorney, Agent, or Firm—Karl W. Flocks; Sheridan
Neimark

[57] **CLAIM**

The ornamental design for an egg carton, as shown and described.

DESCRIPTION

FIG. 1 is a plan view of an egg carton showing our new design;
 FIG. 2 is a front elevation thereof;
 FIG. 3 is a rear elevation thereof;
 FIG. 4 is an end elevation taken from the right end;
 FIG. 5 is a plan view of the open carton showing the outside of the carton top and the outside of the carton bottom;
 FIG. 6 is a plan view of the open carton showing inside of carton bottom and the inside of the carton top;
 FIG. 7 is an end elevation of open carton taken from the left side of the carton;
 FIG. 8 is a longitudinal vertical section through the right half of the carton shown in plan in FIG. 1 taken along line 8—8 on FIG. 1 and looking in the direction of the arrows;
 FIG. 9 is a longitudinal vertical section through the left half of the carton cover shown in plan in FIG. 1, taken along line 9—9 on FIG. 1 and looking in the direction of the arrows; and
 FIG. 10 is a transverse vertical section through the transverse center of the open carton shown in plan view in FIG. 6, taken along line 10—10 on FIG. 6 and looking in the direction of the arrows.

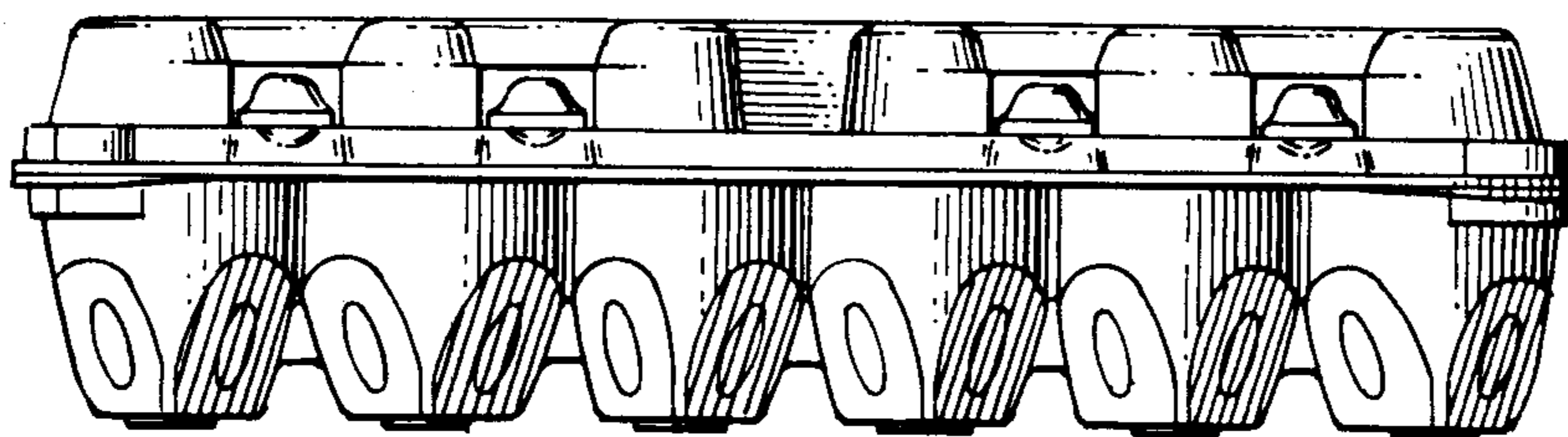


FIG. 1.

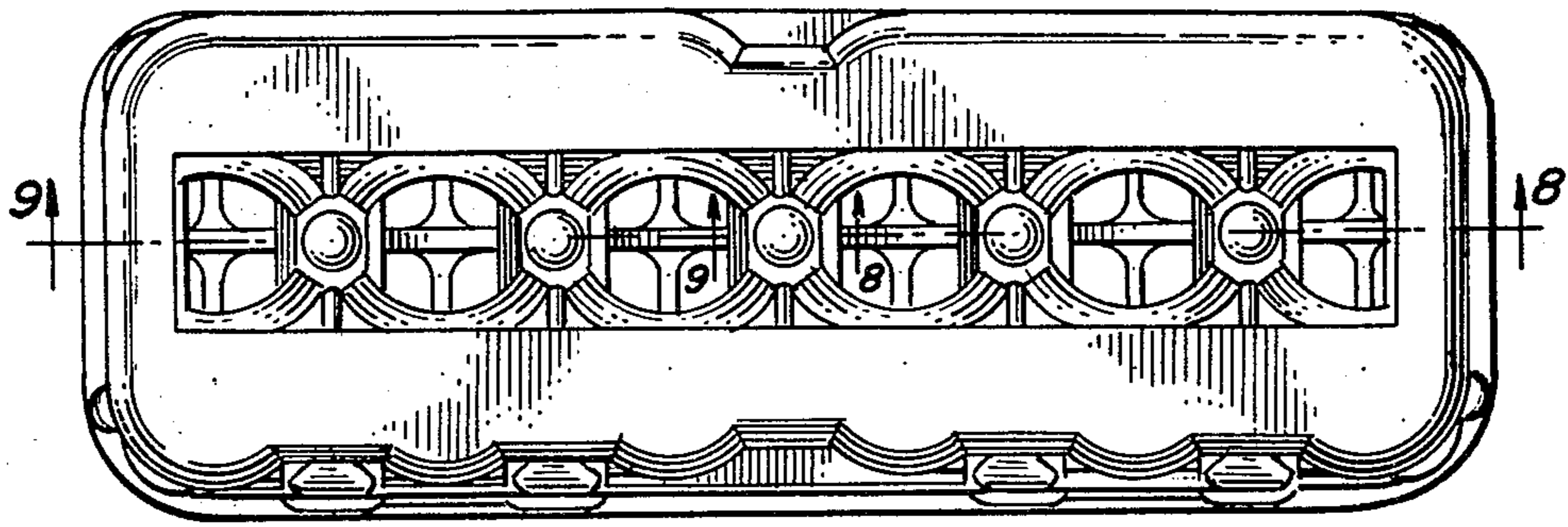


FIG. 2.

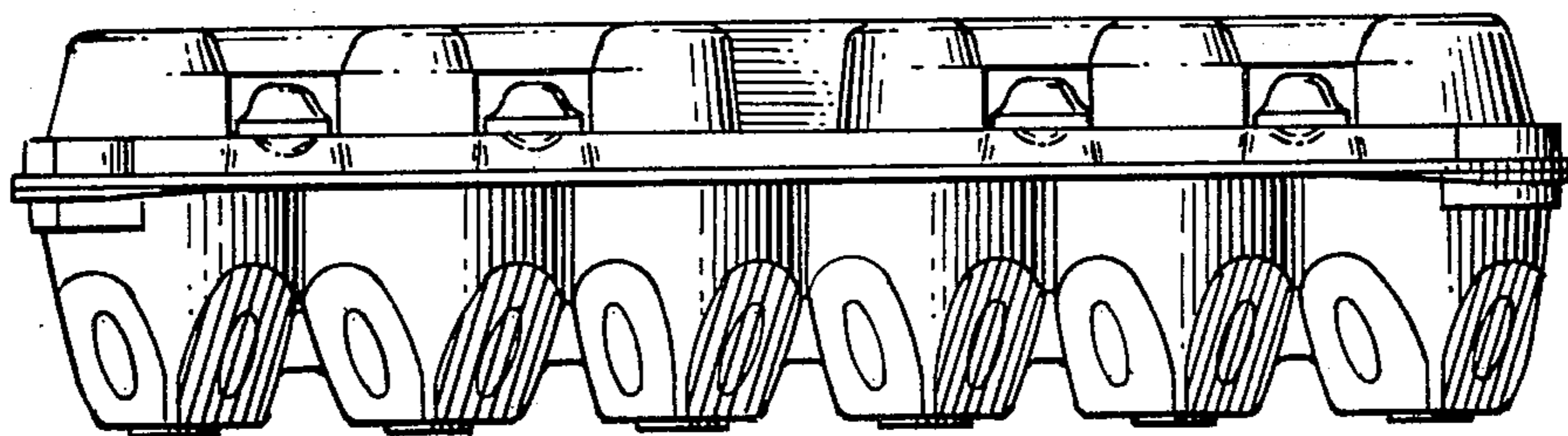


FIG. 3.

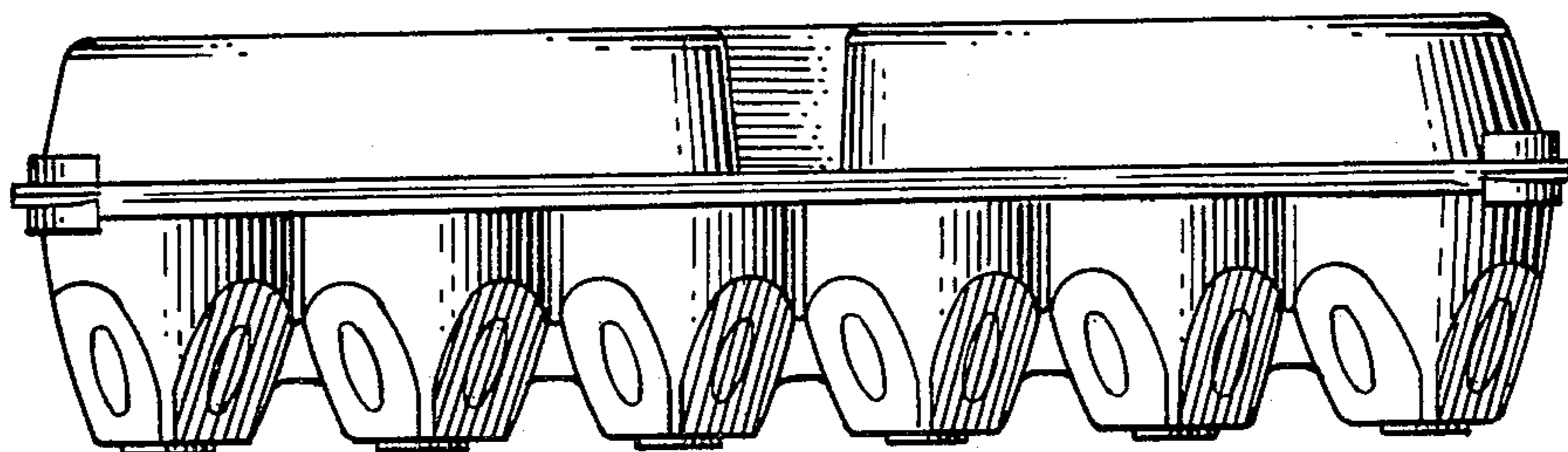


FIG. 4.

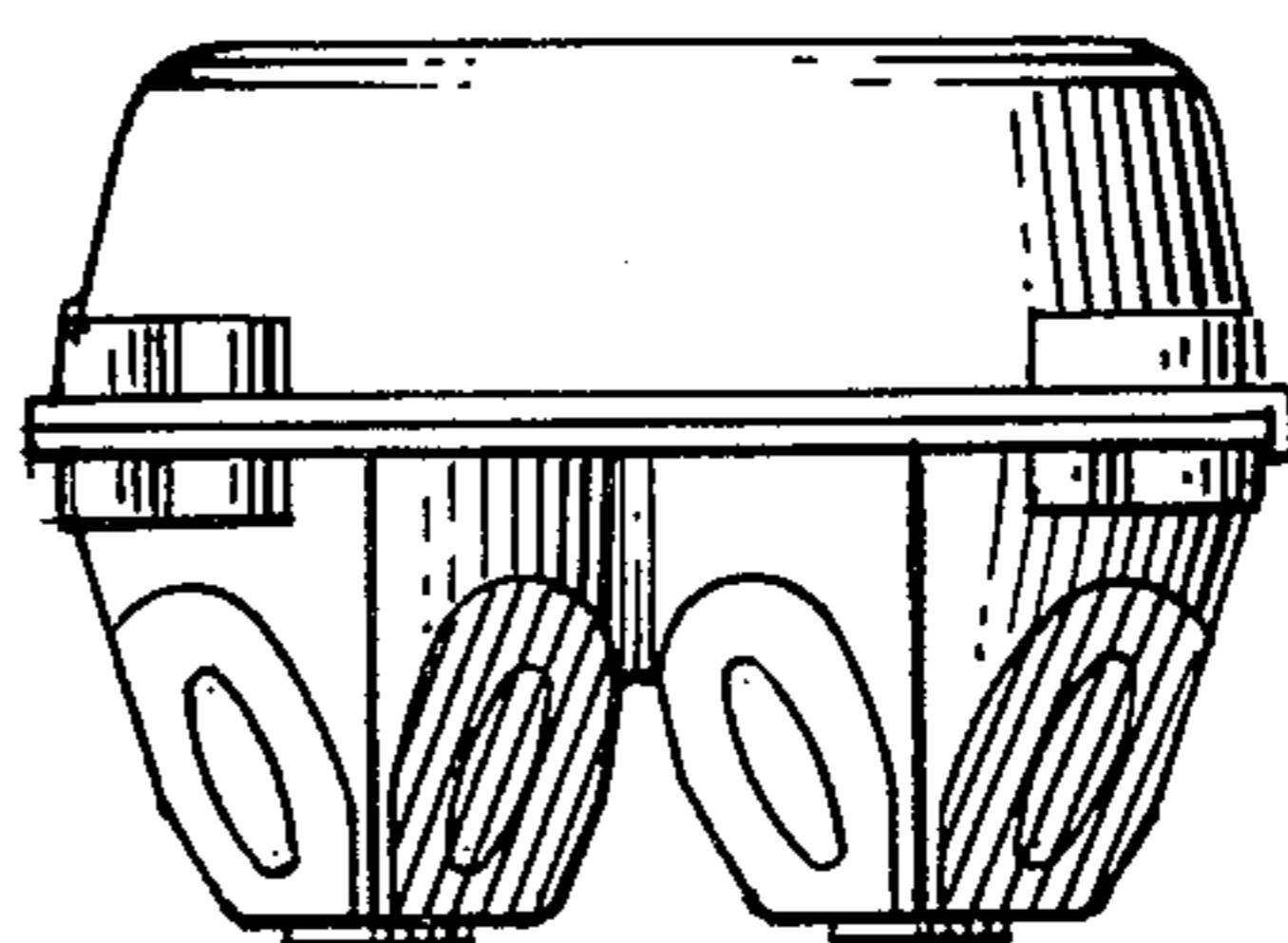


FIG. 5.

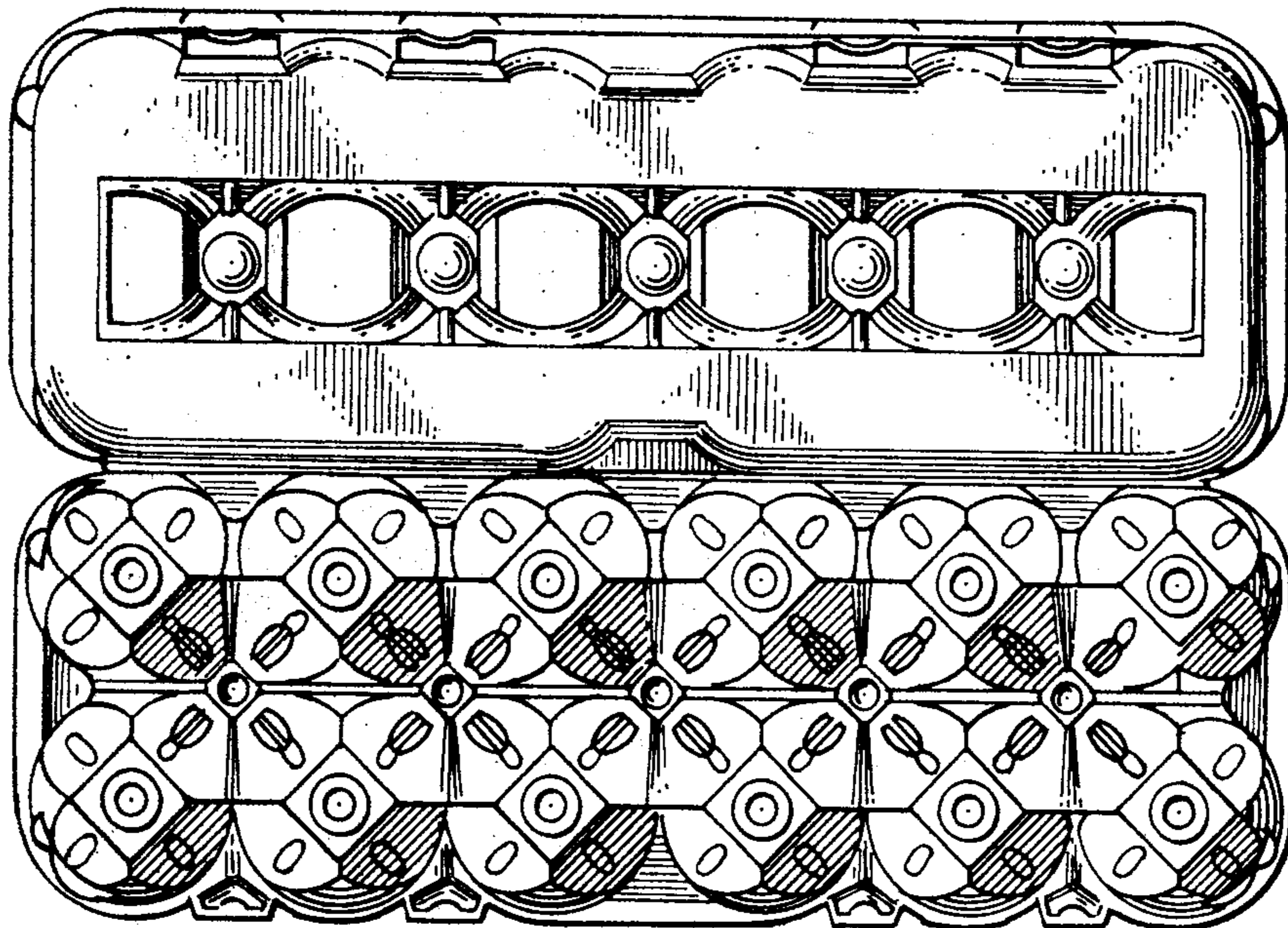


FIG. 6.

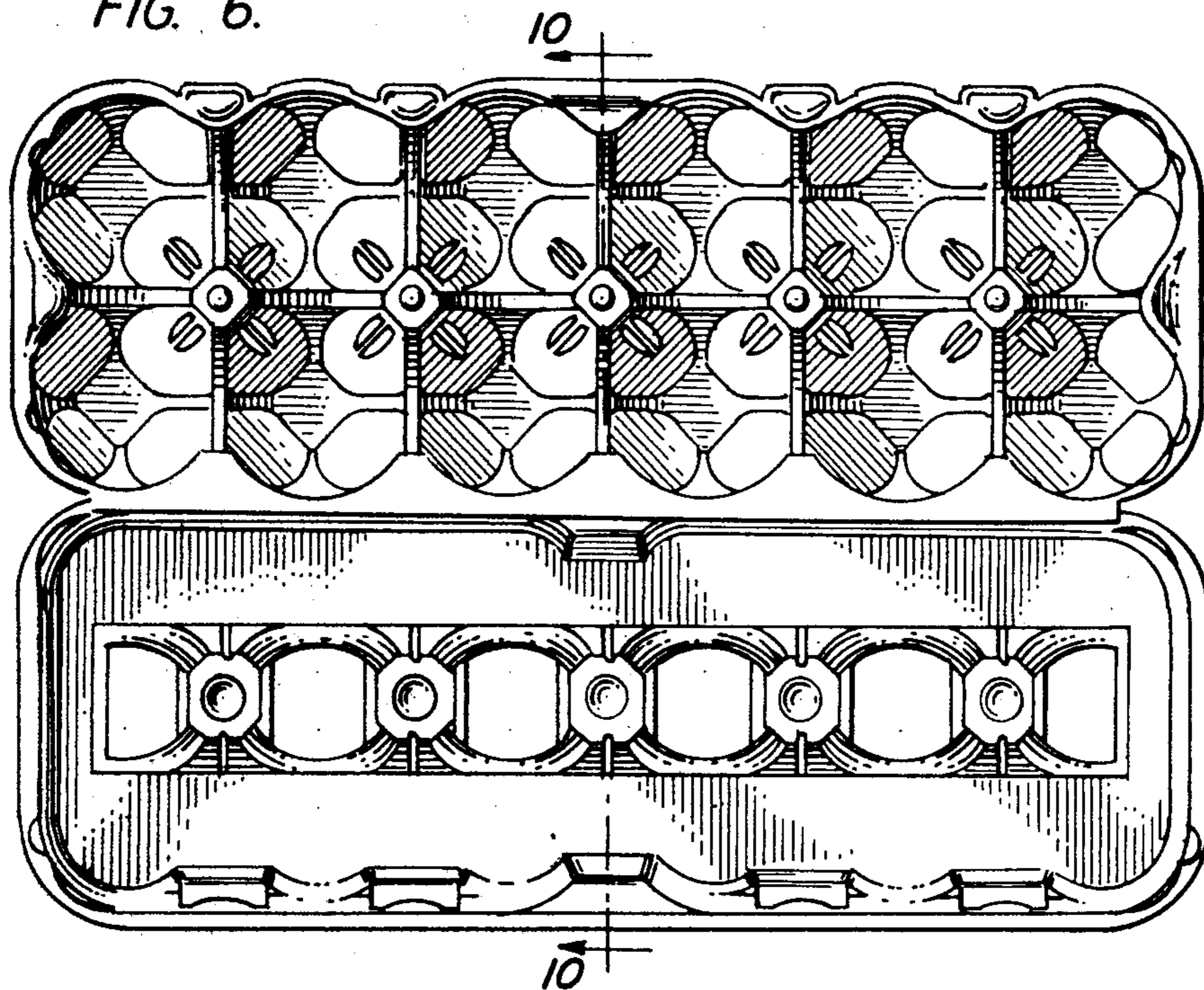


FIG. 7.

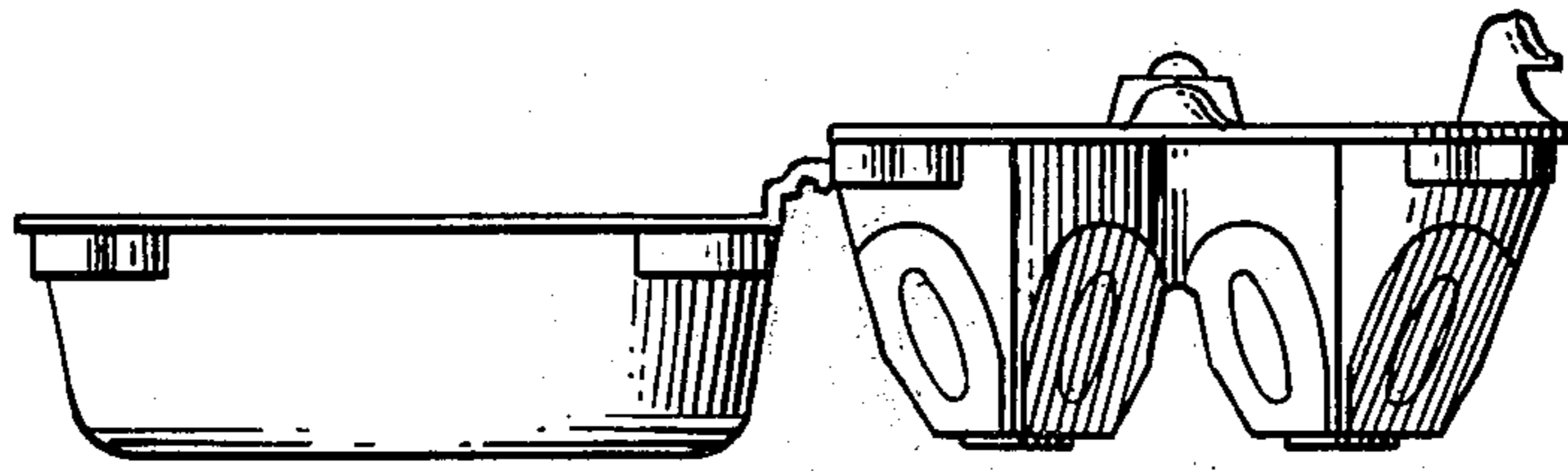


FIG. 8.

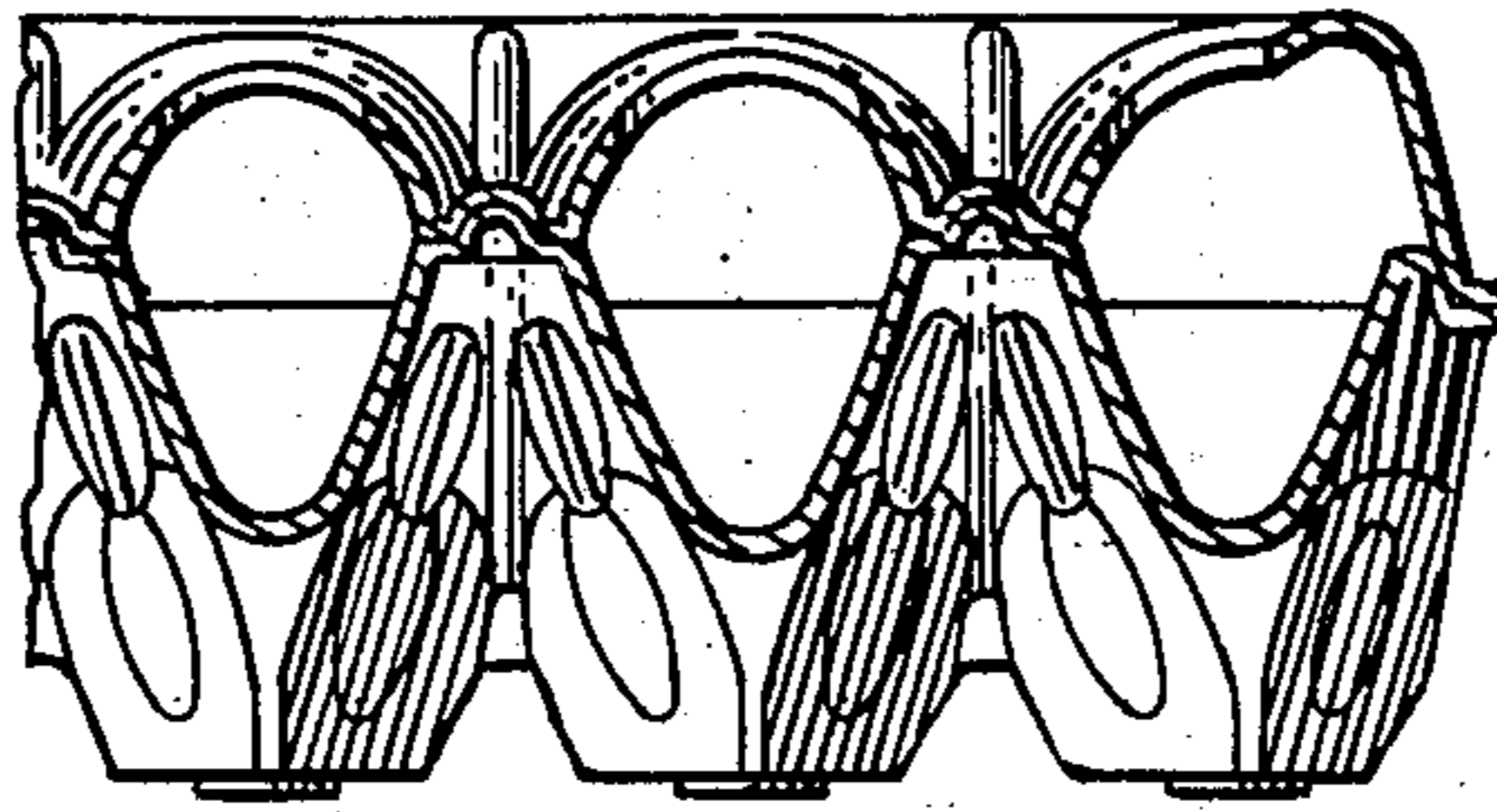


FIG. 9.

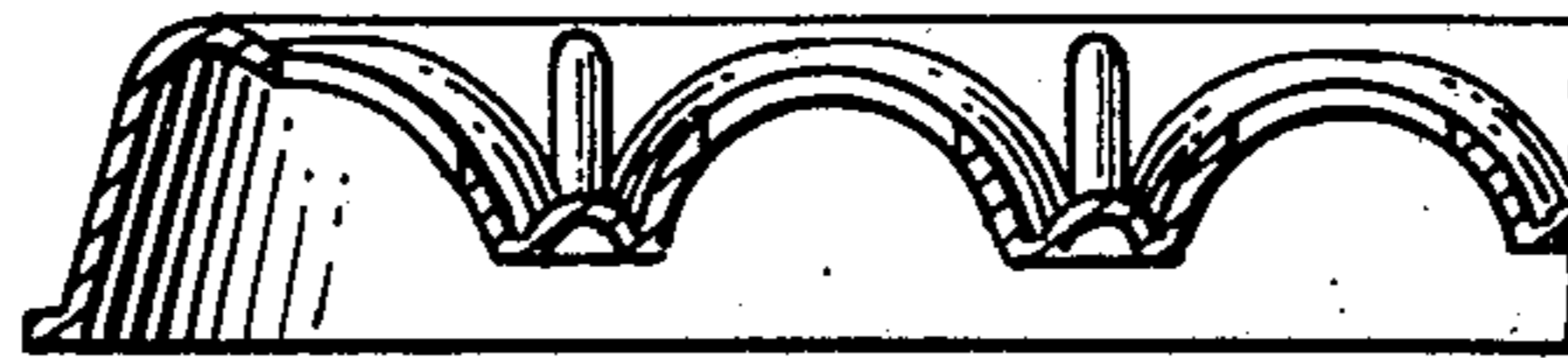


FIG. 10.

