

[54] MAGNETIC FASTENER

[76] Inventor: Tamao Morita, 41-1, 6-chome, Arakawa-ku, Tokyo, Japan

[\*\*] Term: 14 Years

[21] Appl. No.: 258,039

[22] Filed: Apr. 27, 1981

[52] U.S. Cl. .... D8/382; D2/405; D2/449

[58] Field of Search ..... D13/99; D8/382; 335/285; 24/201 B, 303; 294/65.5; D2/405, 422, 449; 206/206.5; 220/230

[56] References Cited

U.S. PATENT DOCUMENTS

2,826,328	3/1958	Moen et al. ....	24/201 B X
3,041,697	7/1962	Budreck .....	294/65.5 X
3,111,737	11/1963	Heil .....	335/285 X
3,141,216	7/1964	Brett .....	24/201 B
3,277,681	10/1966	Bey .....	335/285 X

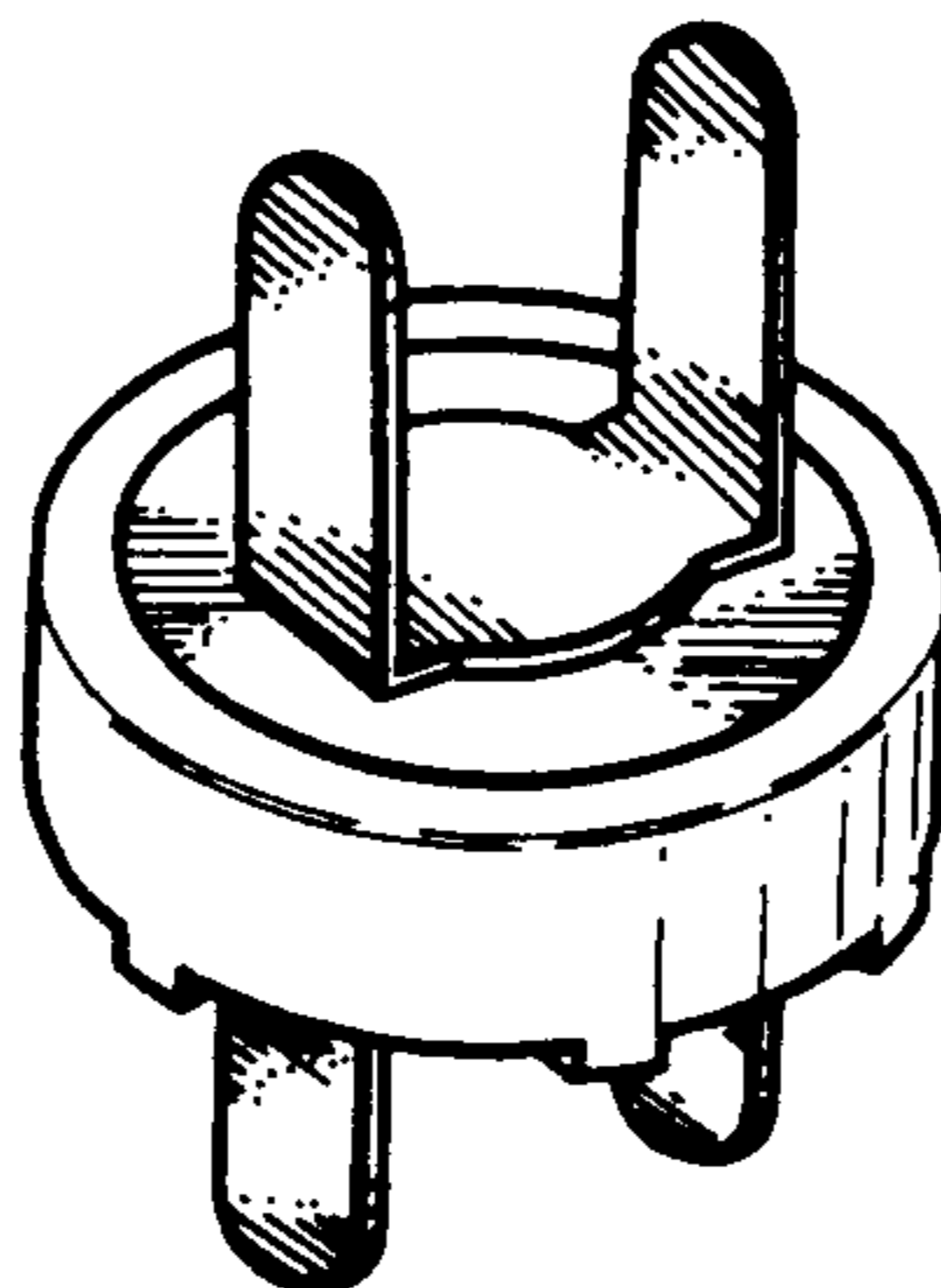
Primary Examiner—Susan J. Lucas  
Attorney, Agent, or Firm—Holman & Stern

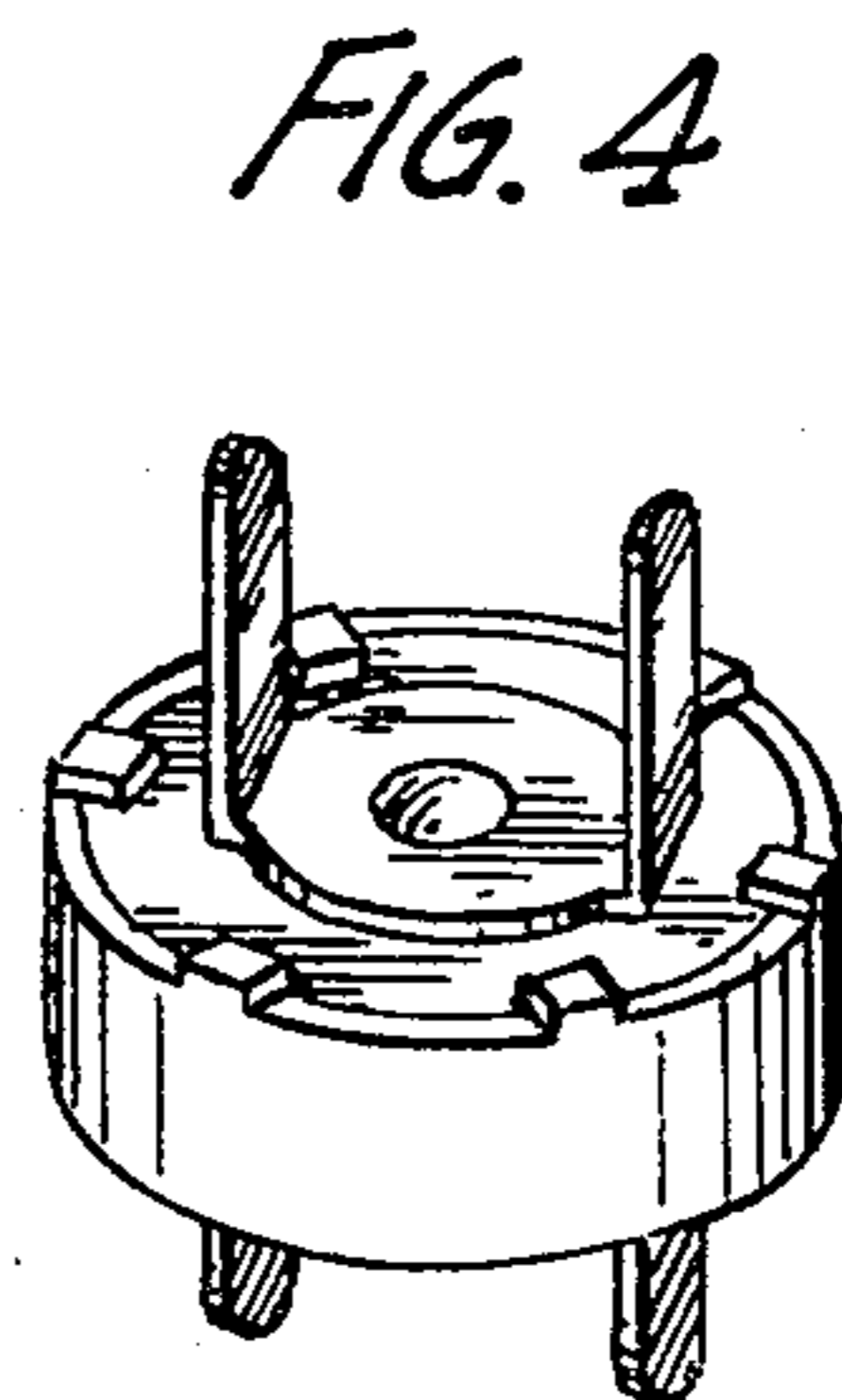
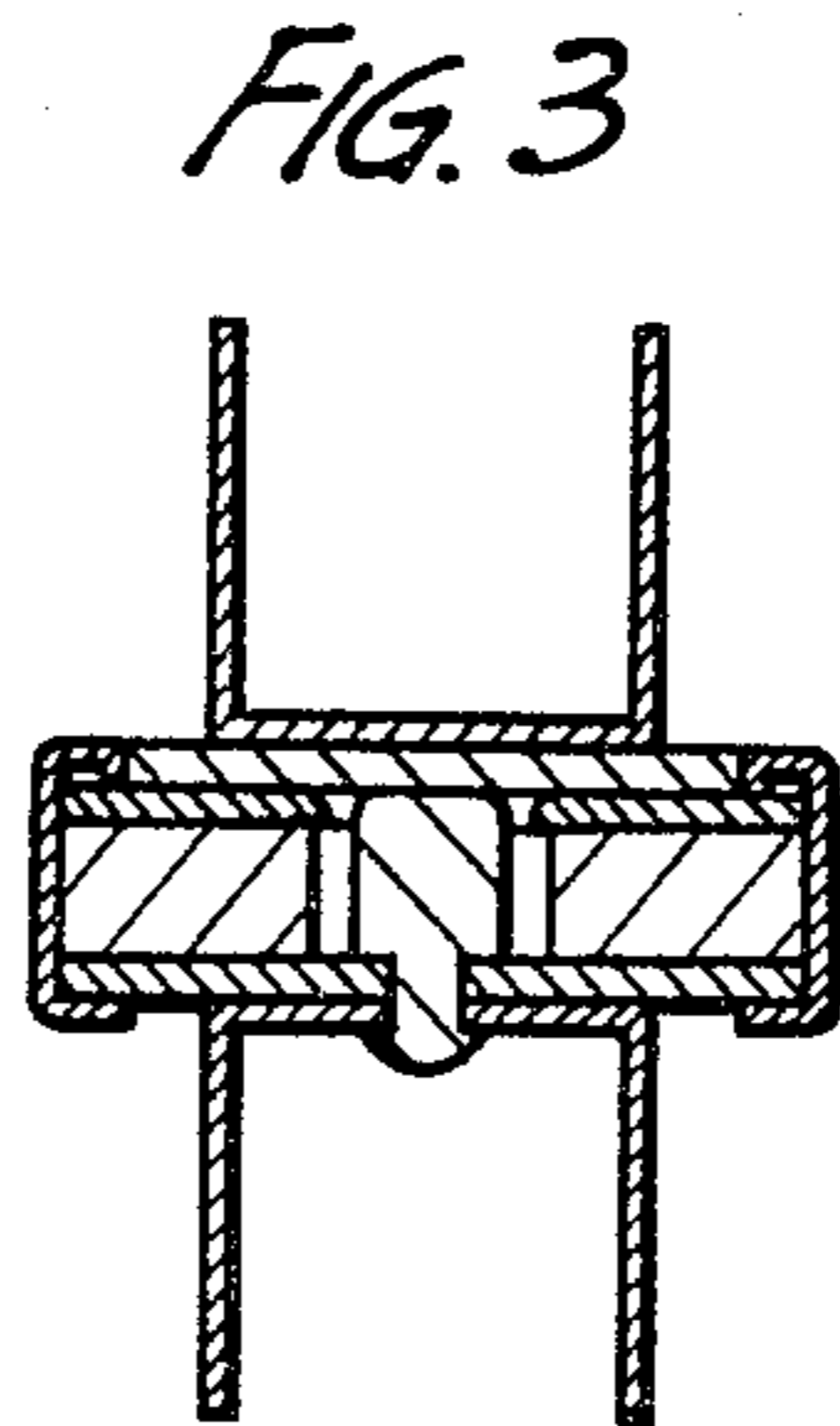
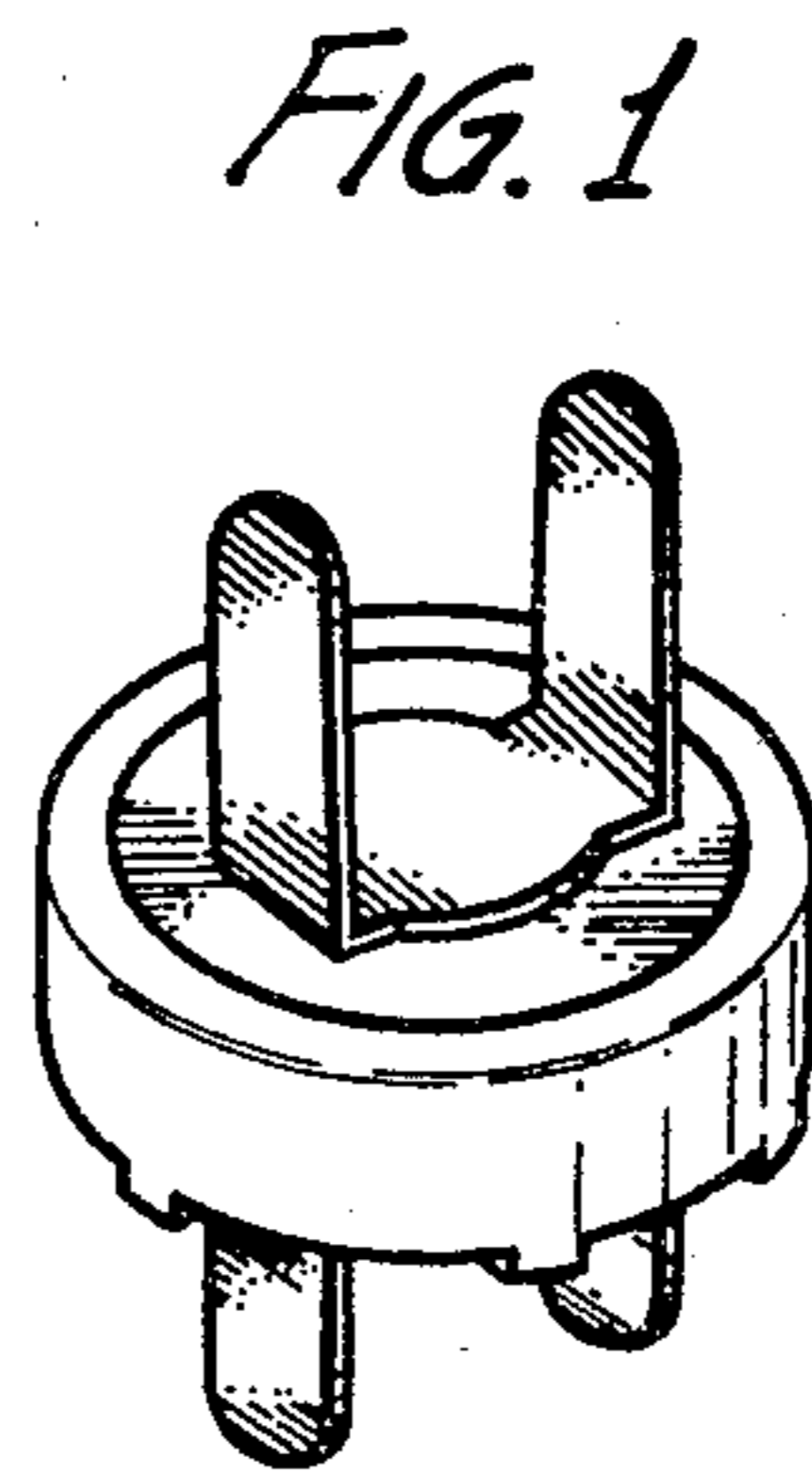
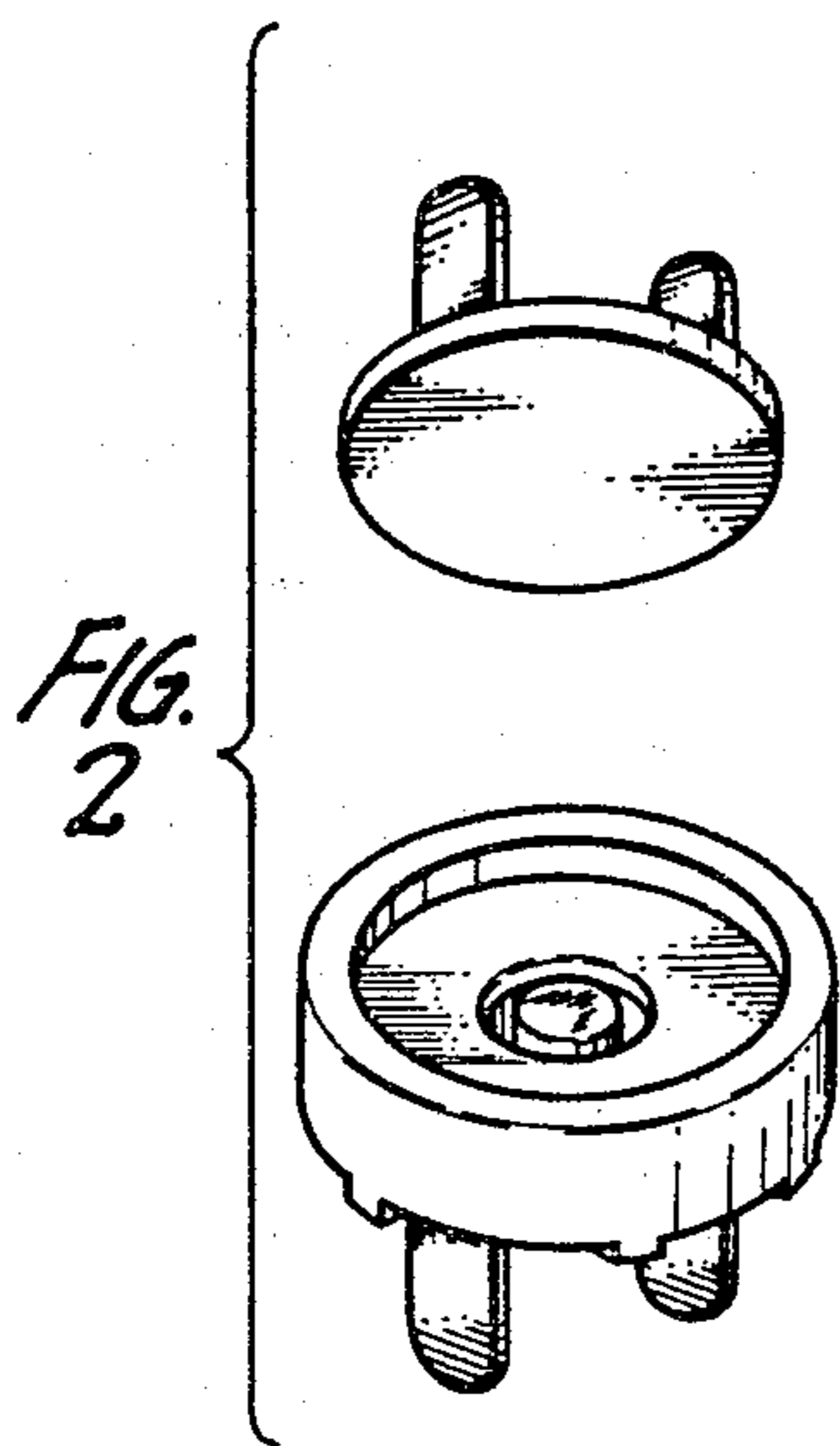
[57] CLAIM

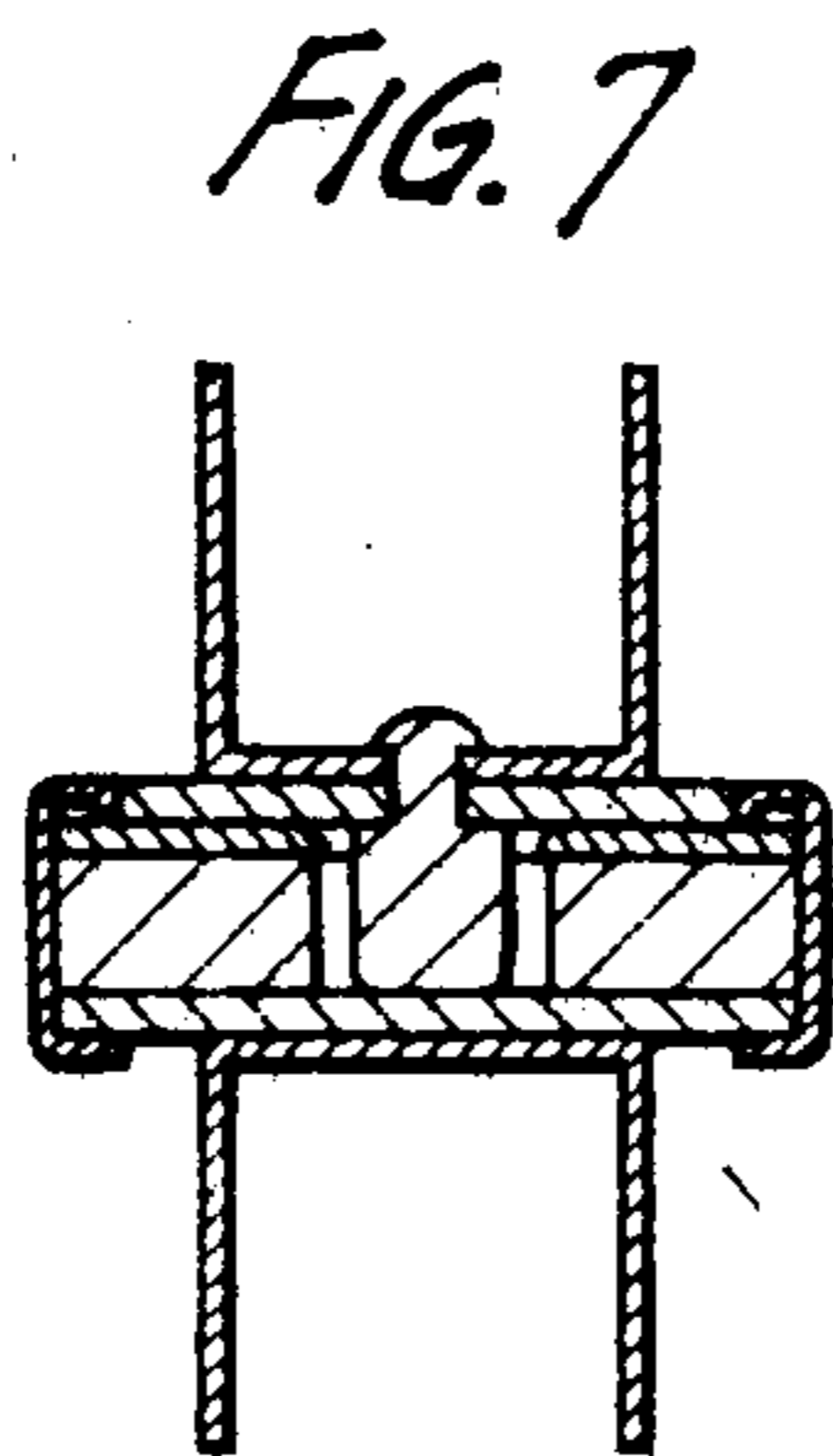
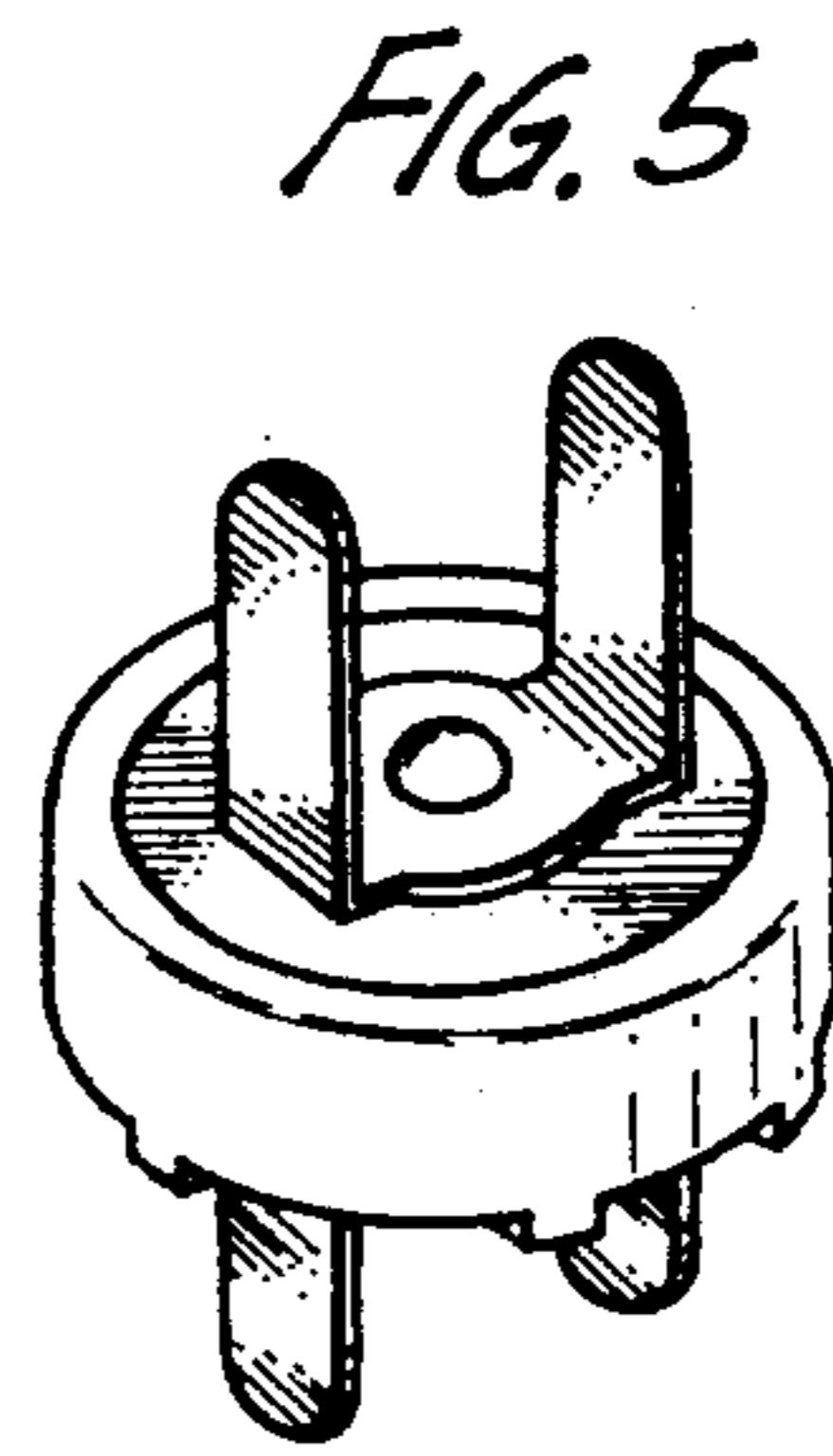
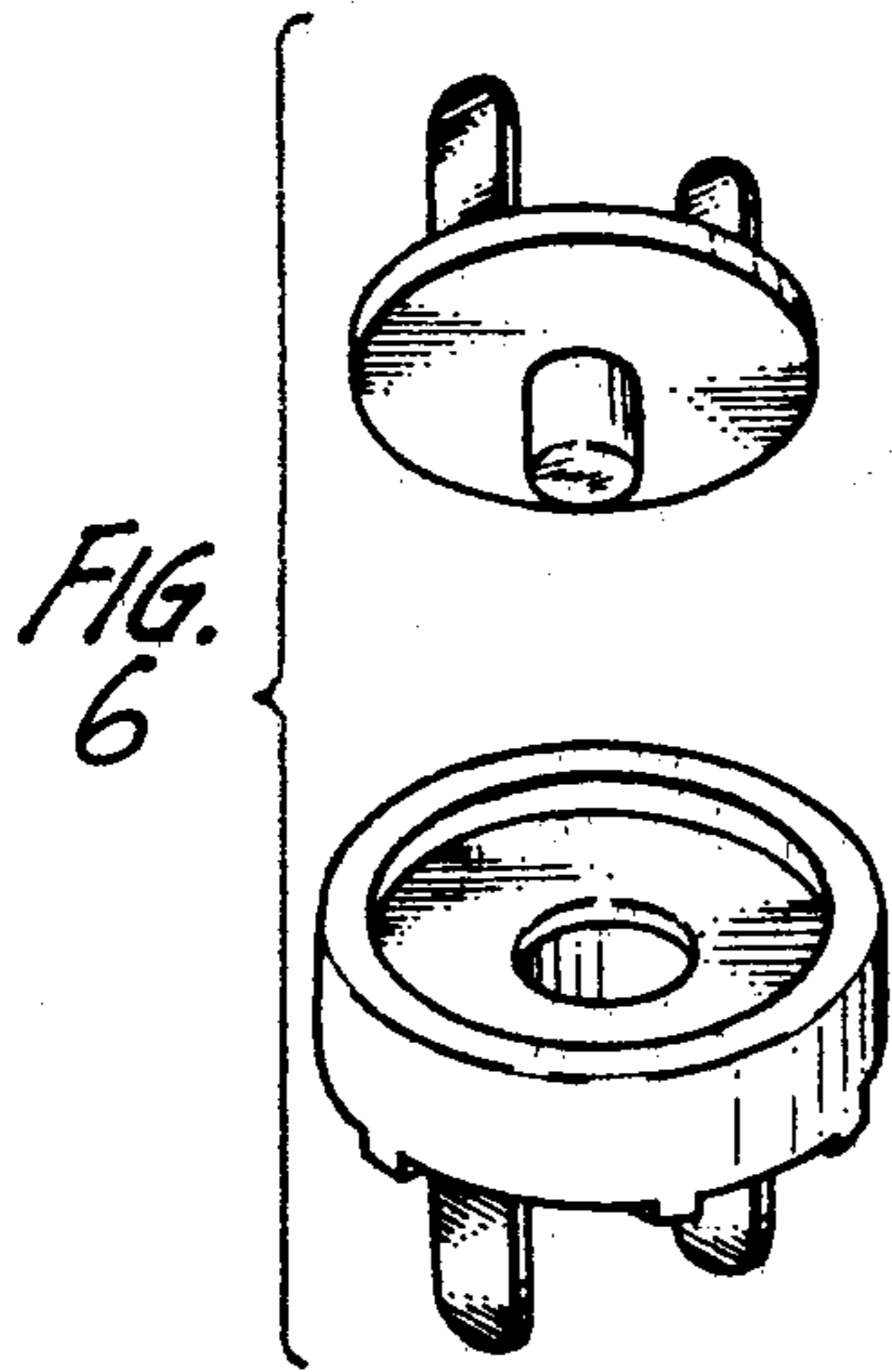
The ornamental design for magnetic fastener, as shown and described.

DESCRIPTION

FIG. 1 is a top perspective view of a magnetic fastener showing my new design;  
 FIG. 2 is an exploded perspective view thereof, showing the interior magnet;  
 FIG. 3 is a cross-sectional view thereof;  
 FIG. 4 is a bottom perspective view thereof;  
 FIG. 5 is a perspective view of a second embodiment of my design;  
 FIG. 6 is an exploded perspective view thereof, showing the interior magnet;  
 FIG. 7 is a cross-sectional view thereof;  
 FIG. 8 is a perspective view of a third embodiment of my new design;  
 FIG. 9 is an exploded perspective view thereof, showing the interior magnets;  
 FIG. 10 is a cross-sectional view thereof;  
 FIG. 11 is a perspective view of a fourth embodiment of my new design;  
 FIG. 12 is an exploded perspective view thereof, showing the interior magnets;  
 FIG. 13 is a cross-sectional view thereof.







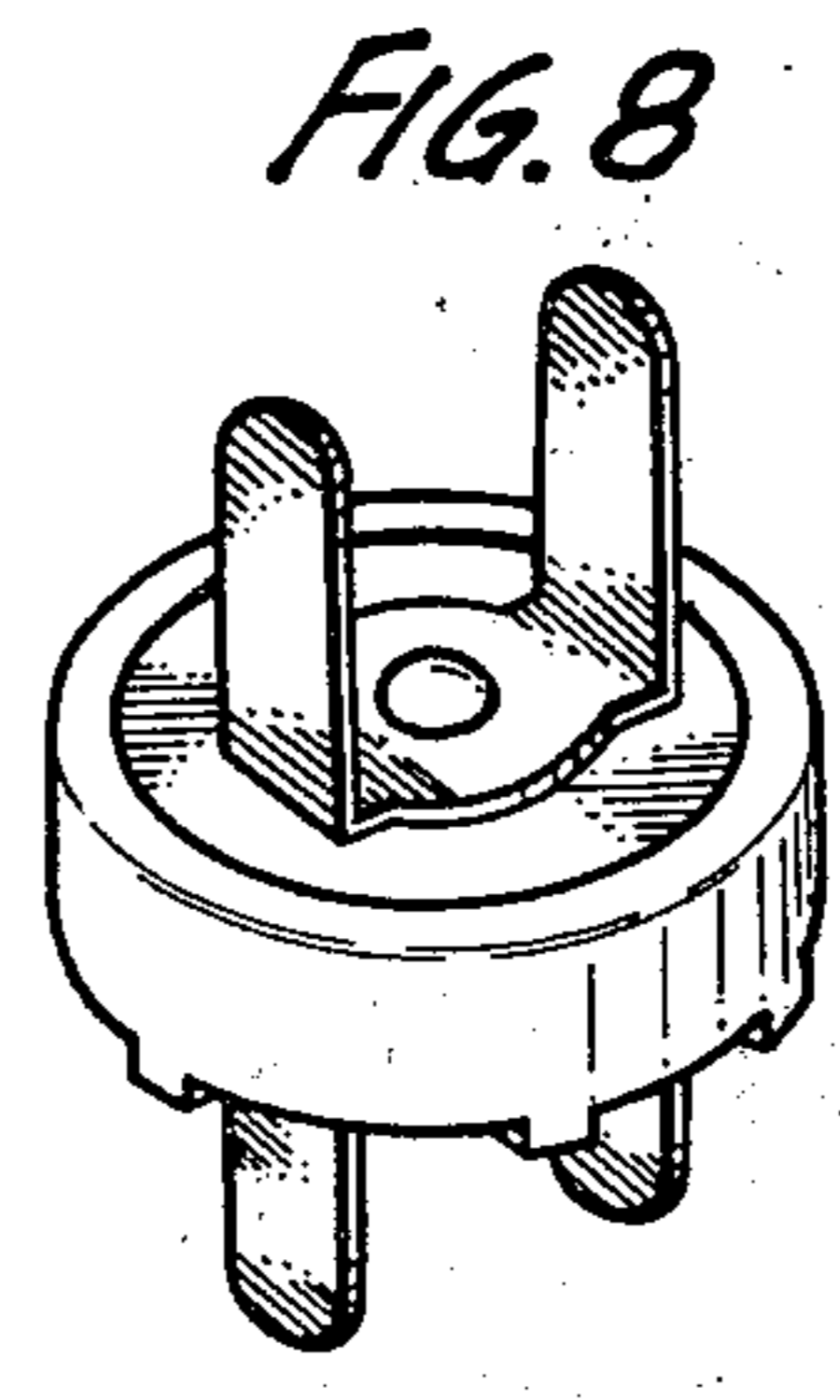
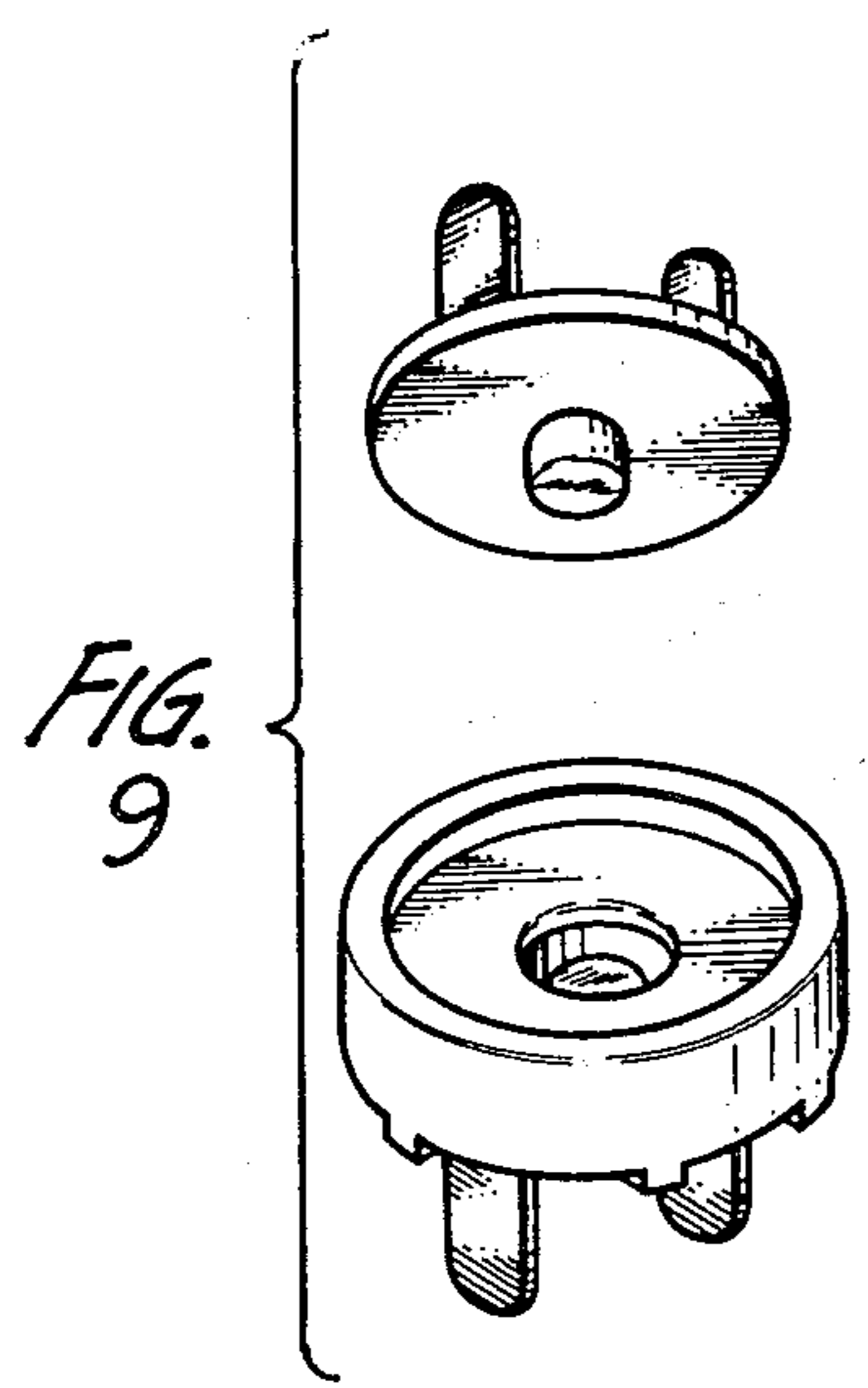


FIG. 10

