

[54] **GARDEN TOOL**

[76] Inventor: **Fred T. Buffington, 551E - 975S,
 Fairmount, Ind. 46928**

[**] Term: **14 Years**

[21] Appl. No.: **364,809**

[22] Filed: **Apr. 2, 1982**

[52] U.S. Cl. **D8/7**

[58] Field of Search **D8/1-13,
 D8/55, 75, 77, 78, 80; 172/375, 376, 378, 371,
 372; 7/114-116**

[56] **References Cited**

U.S. PATENT DOCUMENTS

D. 212,025	8/1968	Pede	D8/7
386,197	7/1888	Hain	D8/7
1,334,586	3/1920	Baker	D8/7
1,888,982	11/1932	Elder	D8/7
2,988,157	6/1961	Lindstaedt	D8/7

FOREIGN PATENT DOCUMENTS

15522 9/1926 Netherlands 172/376

OTHER PUBLICATIONS

Frank N. Wood Corp., Waukesha, Wisc. Promotion
 Flyer Sheet, 7-15, 1974, Rectangular Hammer Head &
 Handle.

Primary Examiner—Wallace R. Burke

Assistant Examiner—Horace B. Fay

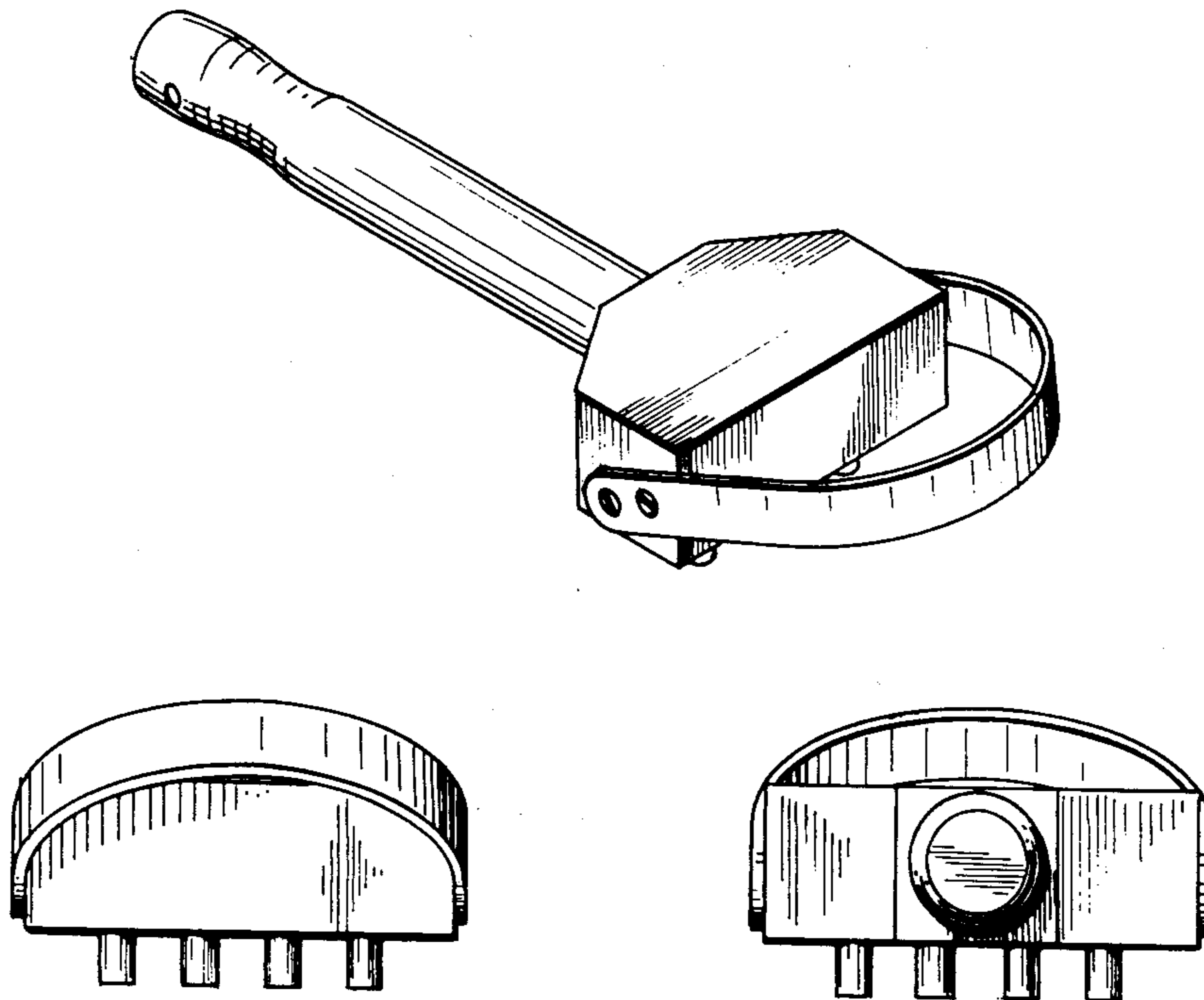
Attorney, Agent, or Firm—Barnes & Thornburg

[57] **CLAIM**

The ornamental design for a garden tool, as shown.

DESCRIPTION

FIG. 1 is a perspective view seen from the front and left
 sides of a garden tool showing my new design;
 FIG. 2 is a front elevational view thereof;
 FIG. 3 is a rear elevational view thereof;
 FIG. 4 is a top plan view thereof;
 FIG. 5 is a left side elevational view thereof;
 FIG. 6 is a right side elevational view thereof; and
 FIG. 7 is a bottom plan view thereof.



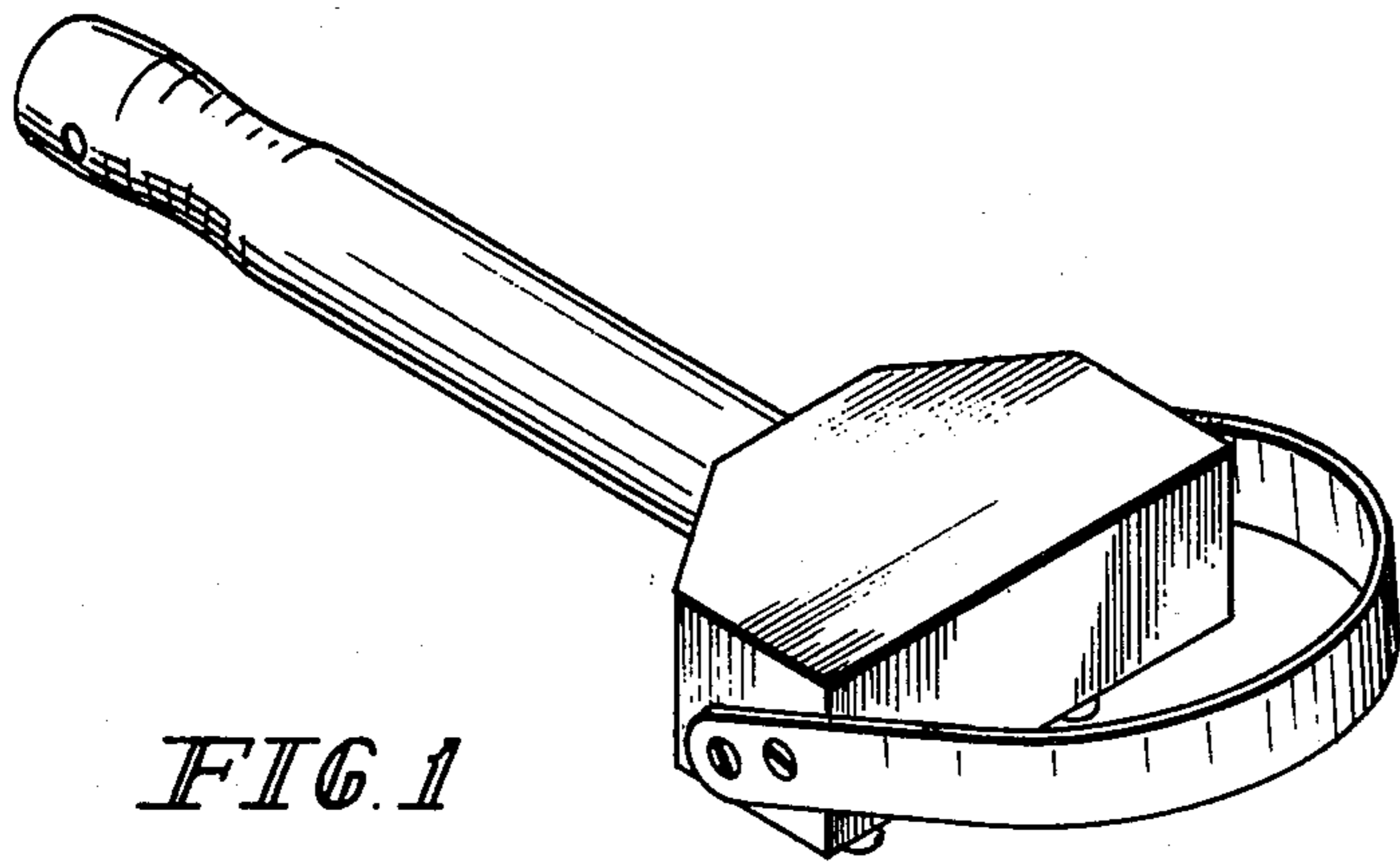


FIG. 1

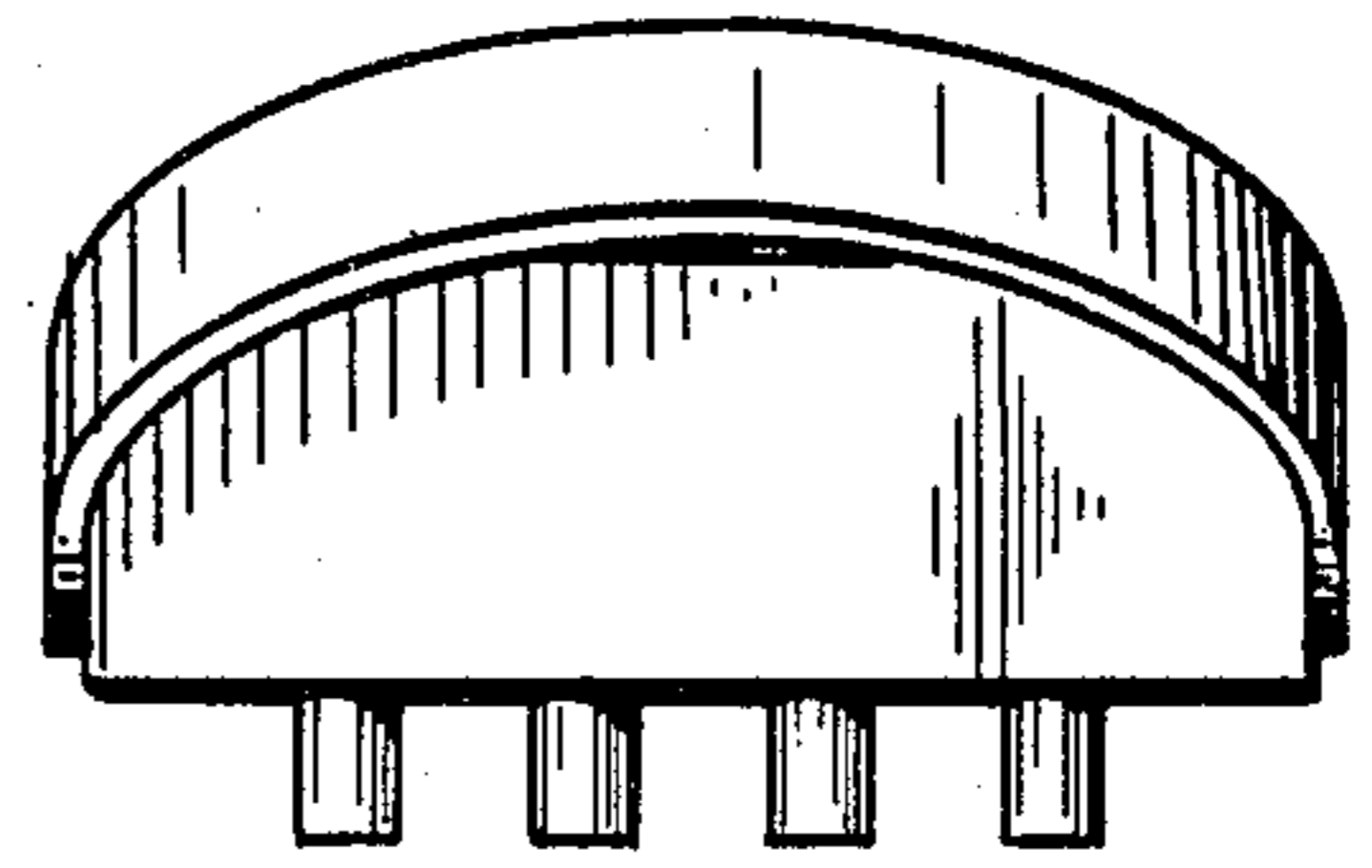


FIG. 2

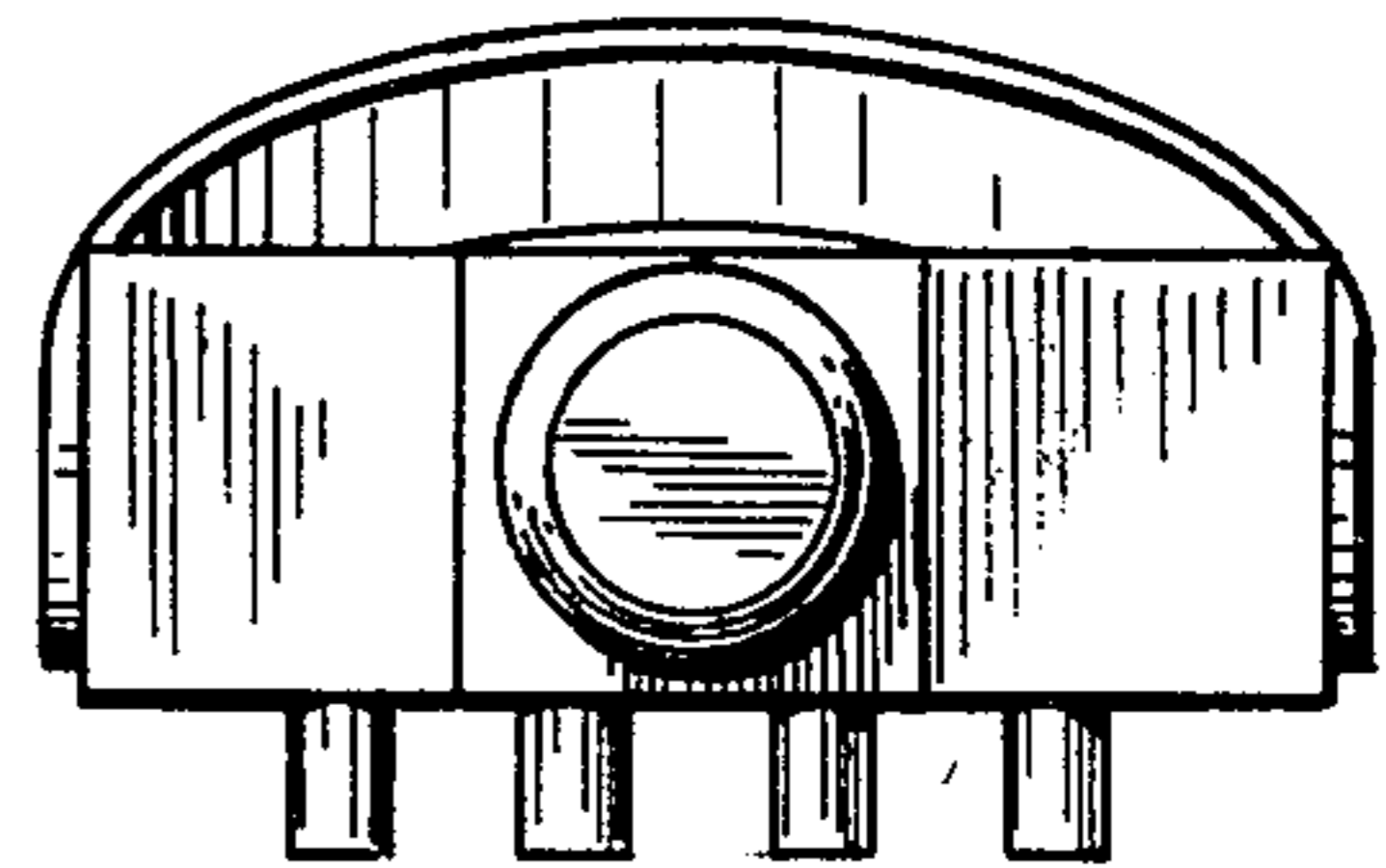


FIG. 3

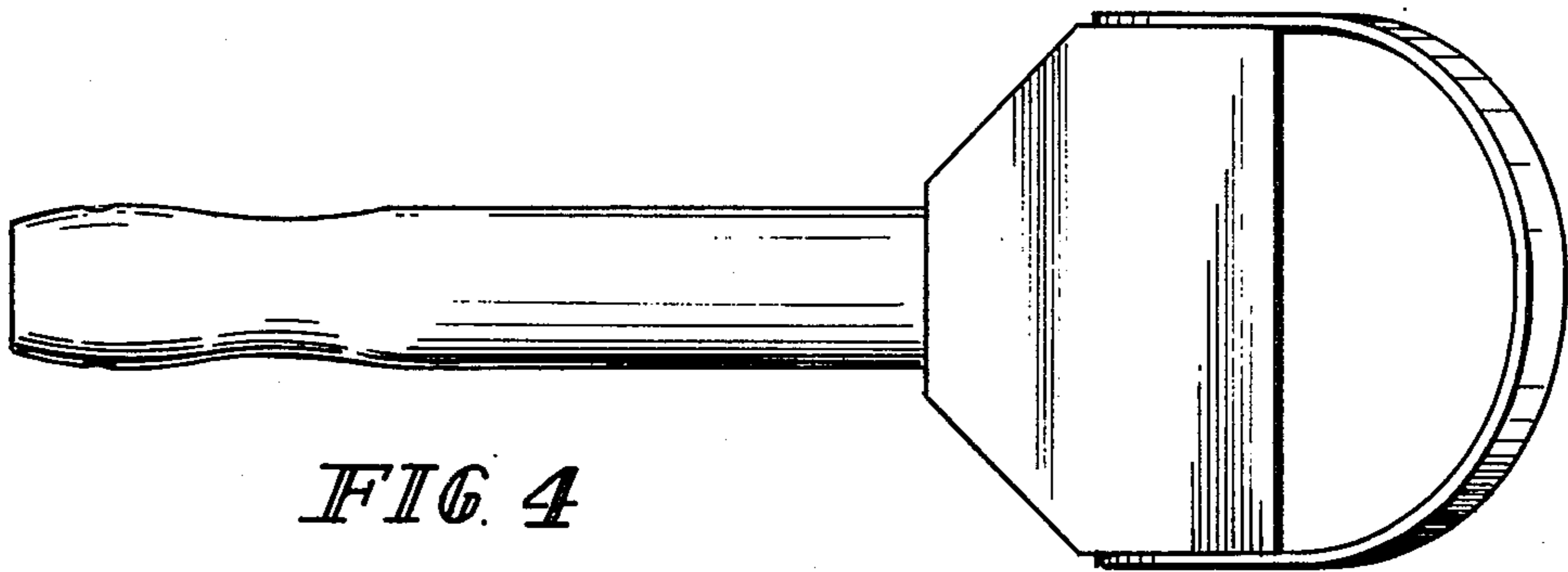


FIG. 4

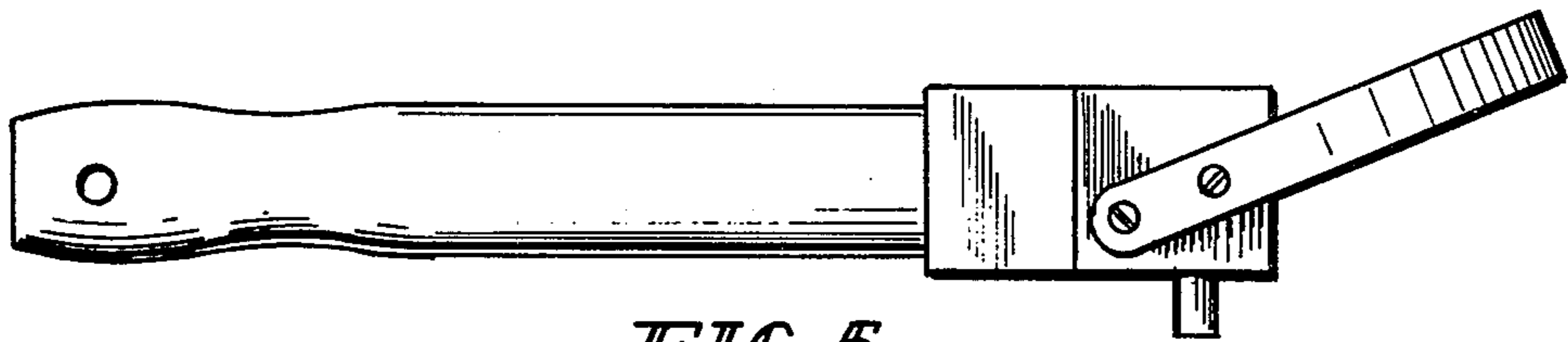


FIG. 5

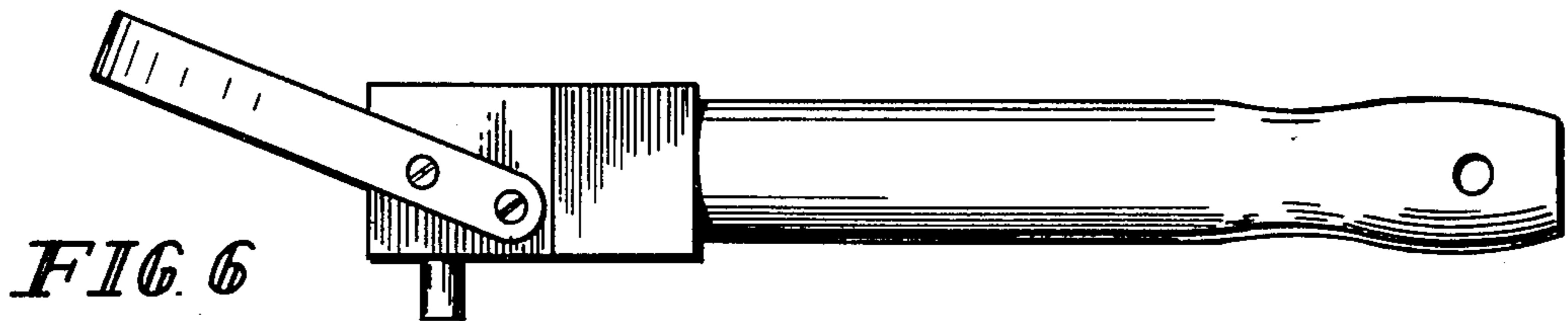


FIG. 6

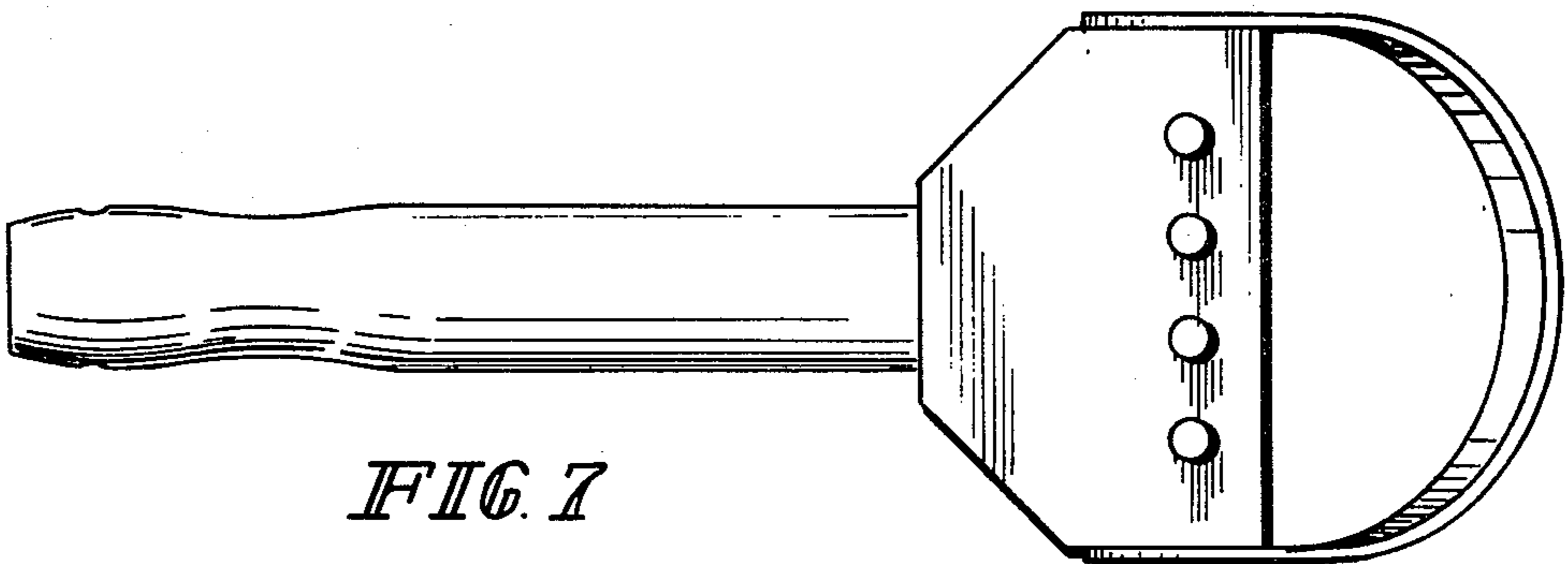


FIG. 7