

[54] **TABLE**

[75] Inventor: **Charles Desnoyers, St-Pie de Bagot, Canada**

[73] Assignee: **Dutailier Inc., St-Pie de Bagot, Canada**

[**] Term: **14 Years**

[21] Appl. No.: **335,271**

[22] Filed: **Dec. 28, 1981**

[52] U.S. Cl. **D6/179; D6/175**

[58] Field of Search **D6/146-149, D6/175, 177-179**

[56] **References Cited**

U.S. PATENT DOCUMENTS

D. 243,810	3/1977	Introini	D6/177
D. 247,733	4/1978	Robinson	D6/177
D. 249,312	9/1978	Taber	D6/177
D. 256,532	8/1980	Aulenti	D6/177

Primary Examiner—Bruce W. Dunkins
Attorney, Agent, or Firm—Jean H. Dubuc

[57] **CLAIM**

The ornamental design for a table, as shown and described.

DESCRIPTION

FIG. 1 is a perspective view of a table showing my new design;
FIG. 2 is a top plan view thereof;
FIG. 3 is an elevational view of one of the two identical sides;
FIG. 4 is an elevational view of one of the two identical ends;
FIG. 5 is a perspective view of a table showing a modified form of my new design;
FIG. 6 is a top plan view thereof;
FIG. 7 is an elevational view showing one of the two identical sides; and
FIG. 8 is an elevational view of one of the two identical ends.

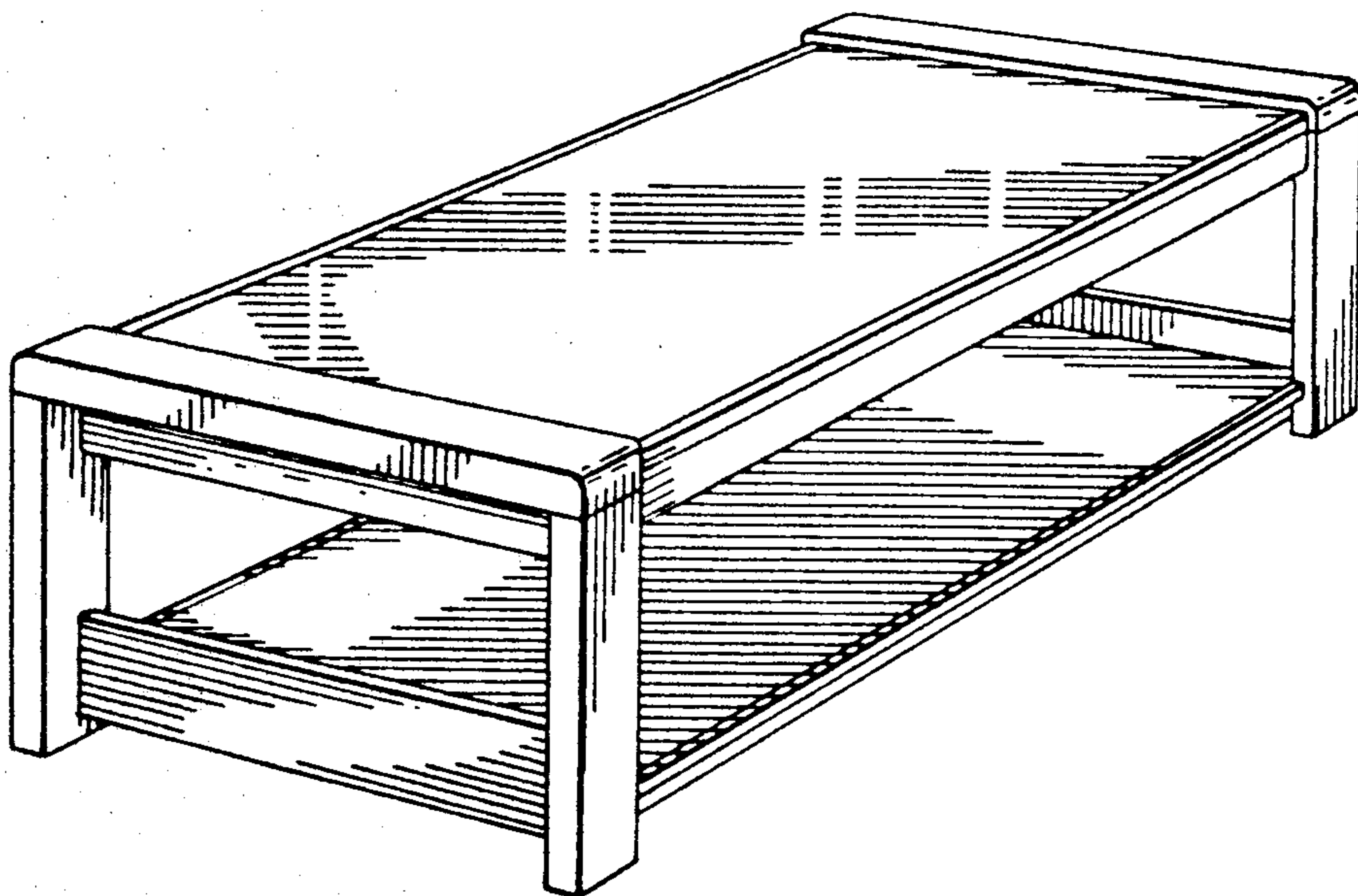


Fig. 1

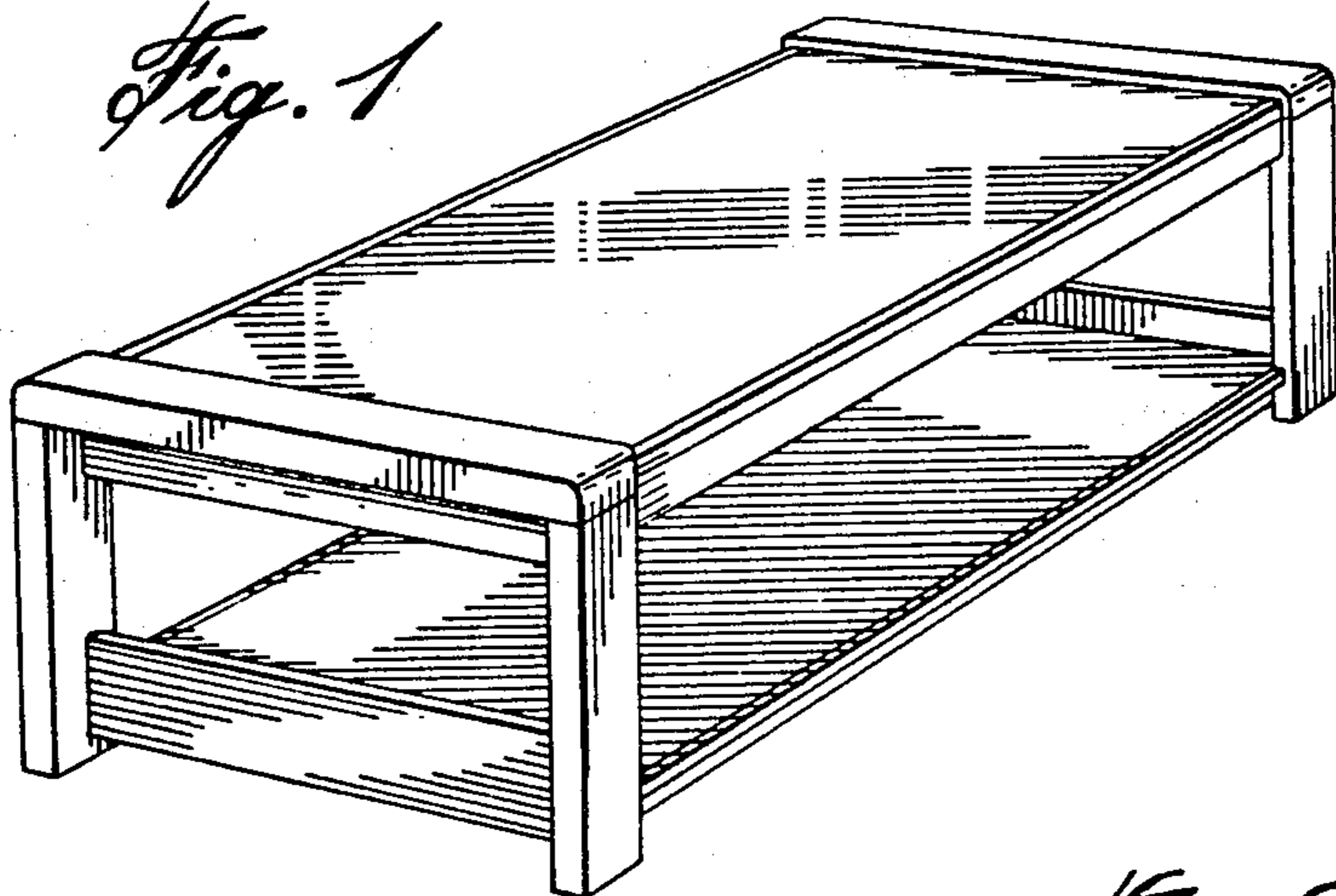


Fig. 2

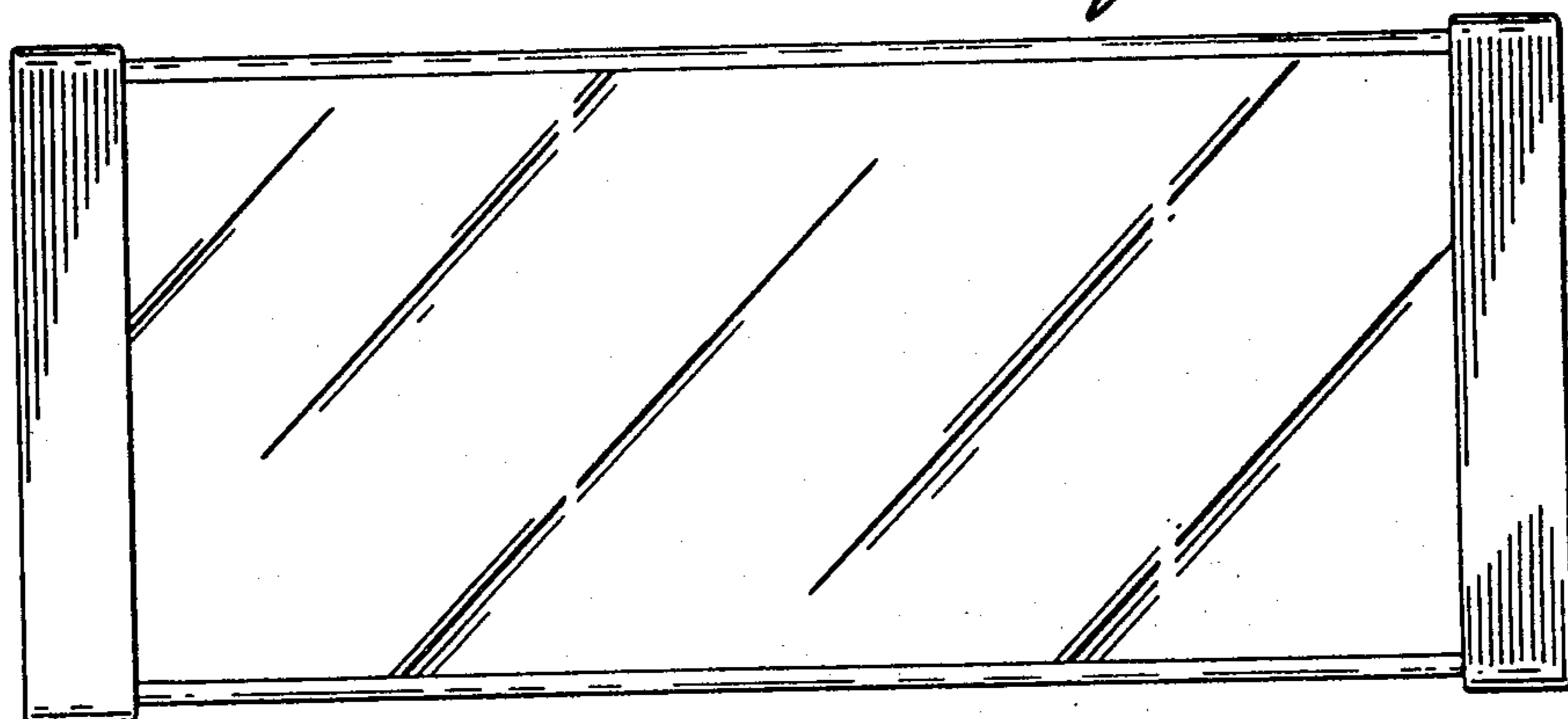
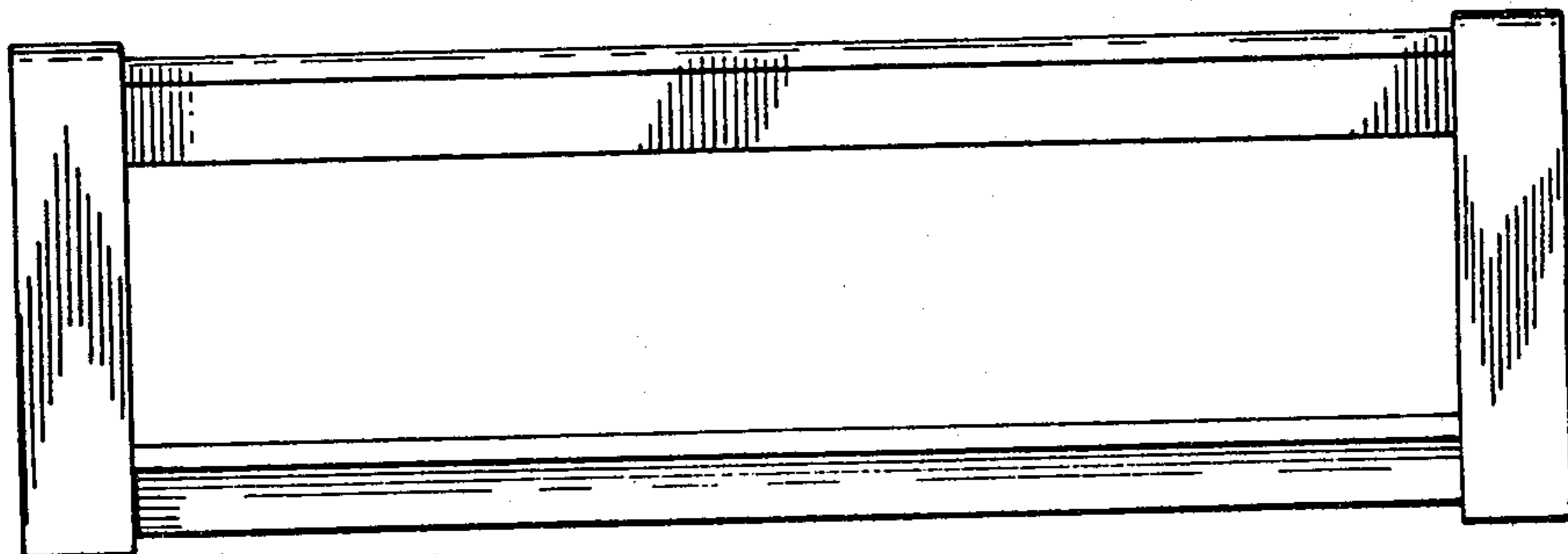


Fig. 3



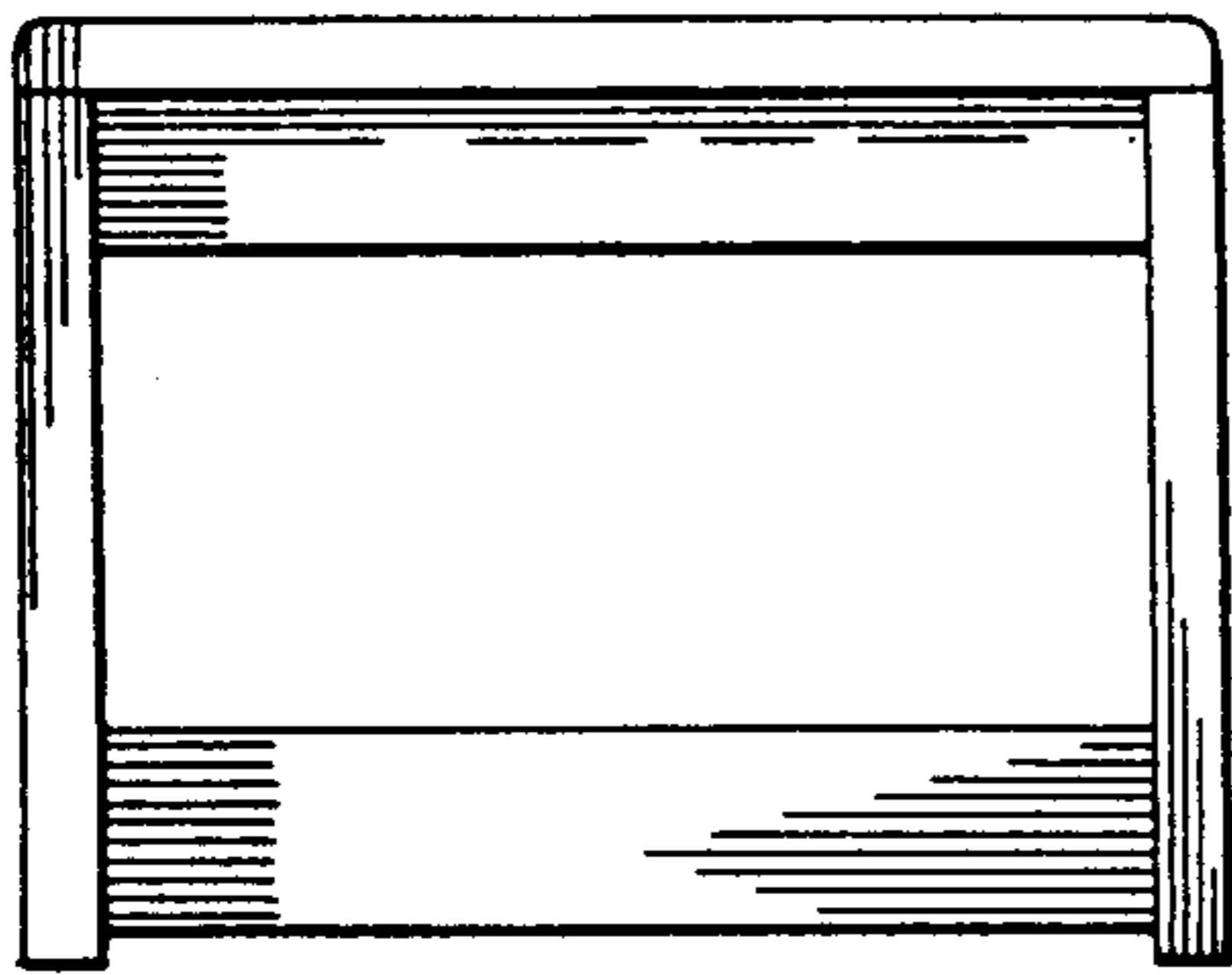


Fig. 4

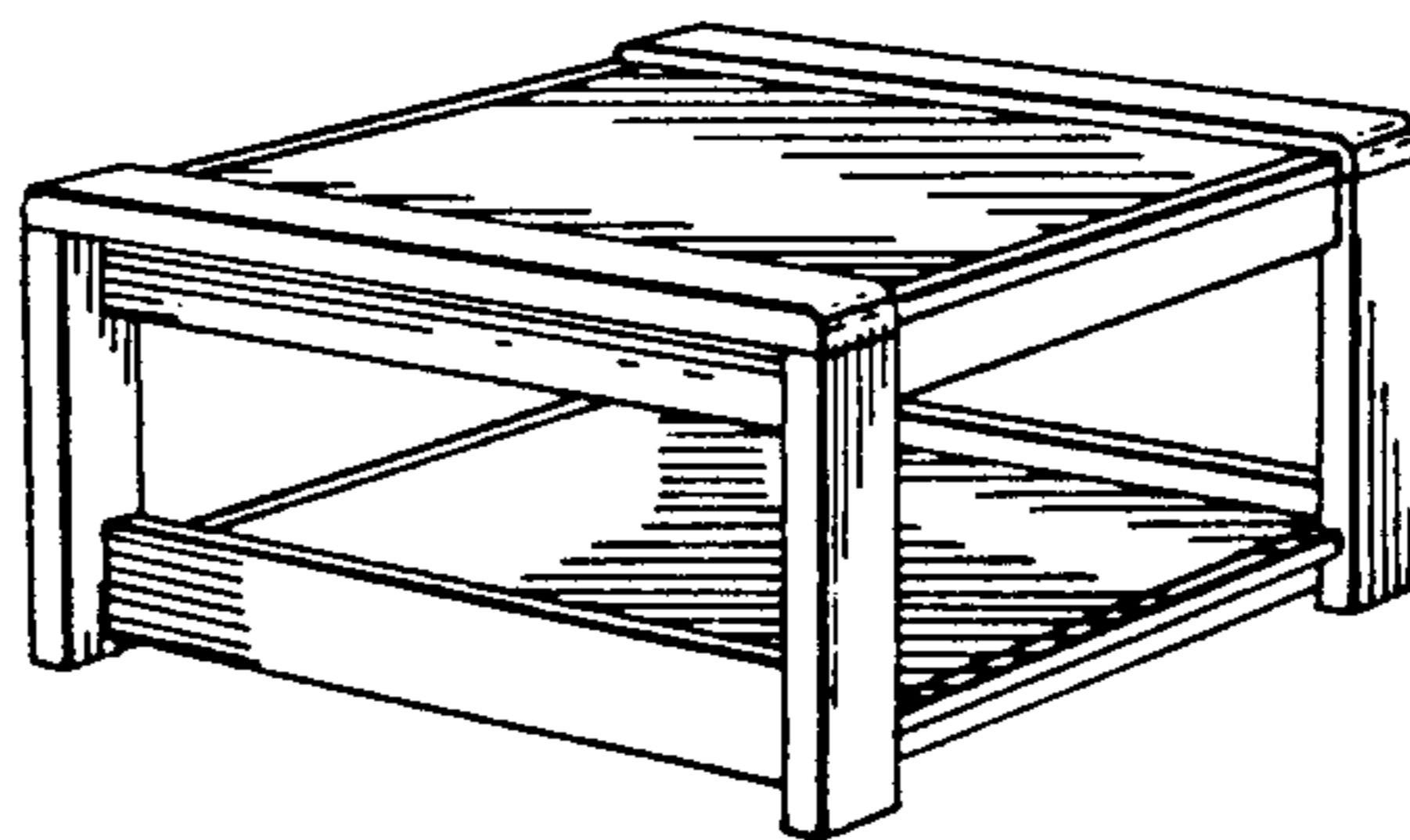


Fig. 5

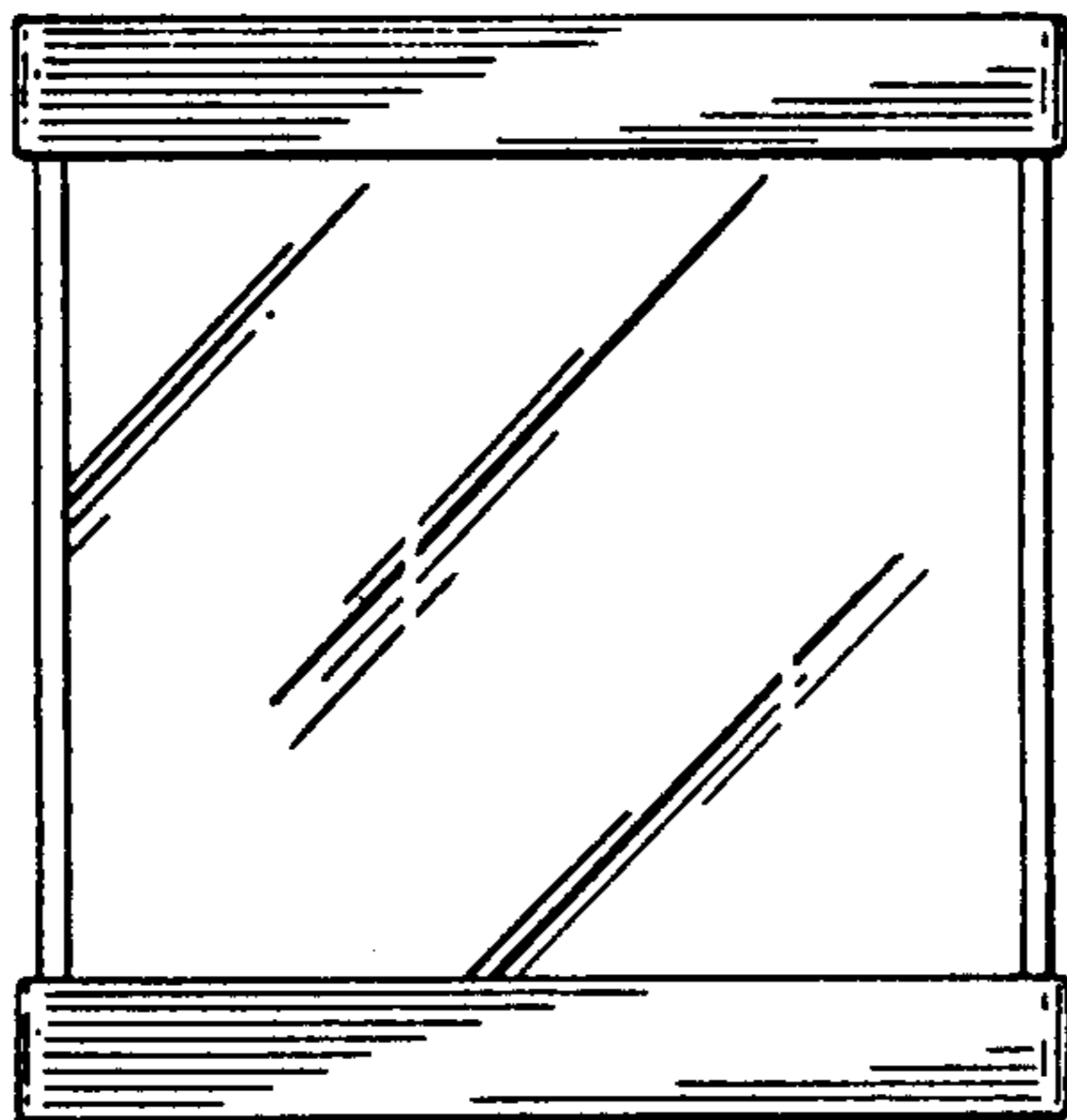


Fig. 6

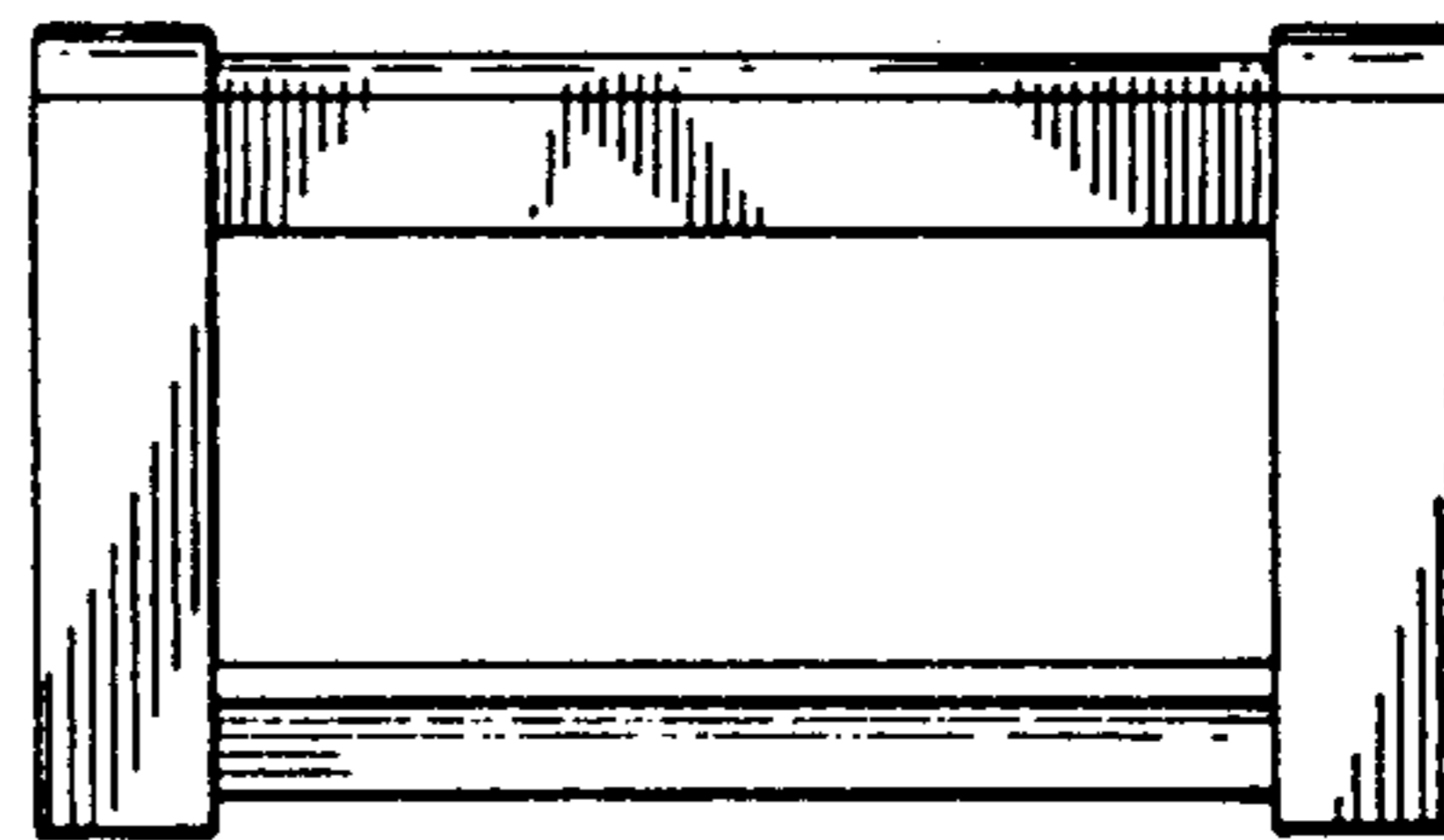


Fig. 7

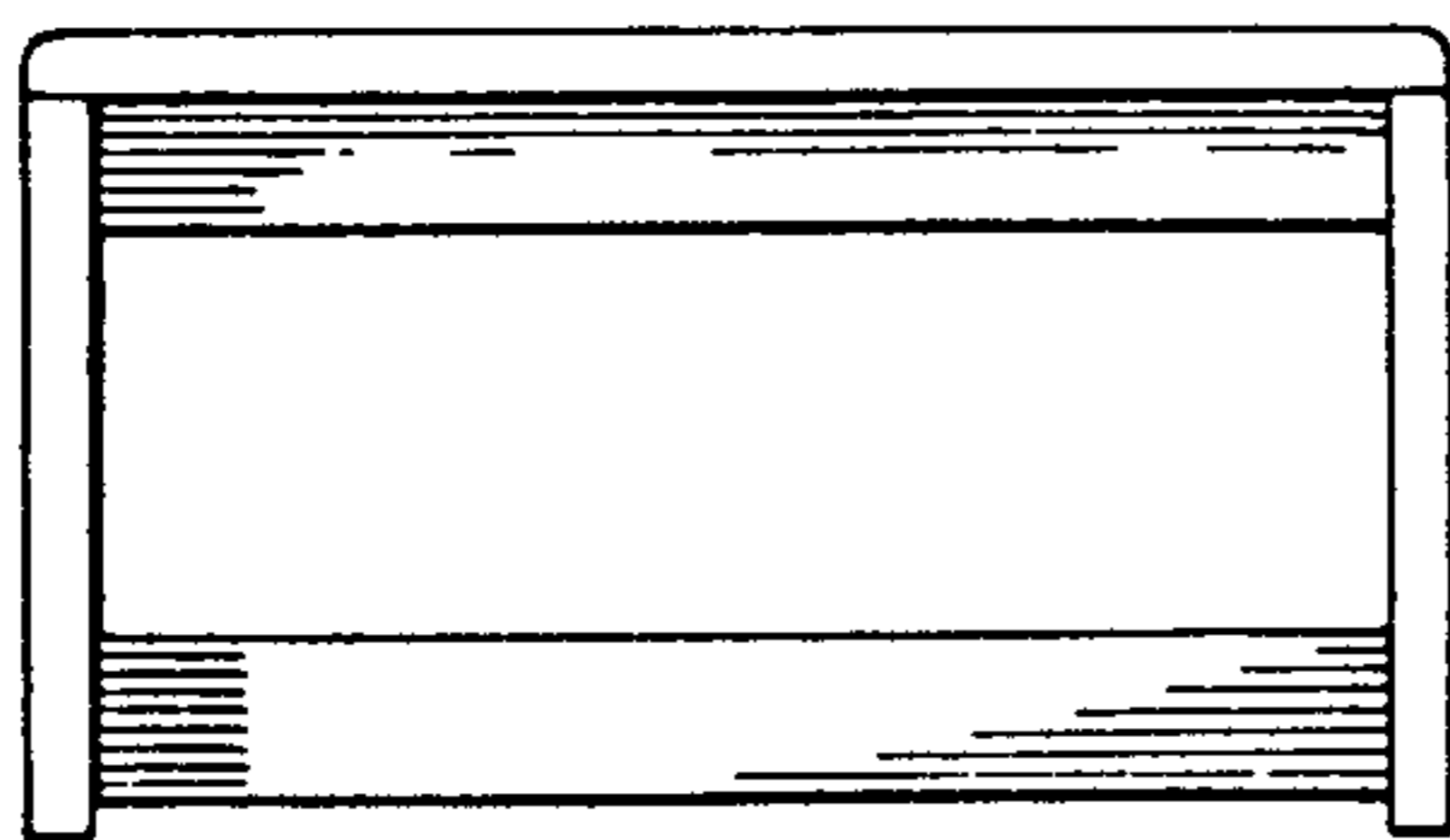


Fig. 8