

[54] COMBINED DISPENSING RACK FOR ROLLS OF INTERCONNECTED BAGS AND BAG CLOSURE HOLDER

[75] Inventors: Lyman V. Anderson, 2517 W. 95th St., Bloomington, Minn. 55431; Carolyn Smith, Minneapolis, Minn.; John B. Grant, St. Croix, Minn.; M. A. Roth, Jr., St. Paul, Minn.

[73] Assignee: Lyman V. Anderson, Bloomington, Minn.

[\*\*] Term: 14 Years

[21] Appl. No.: 388,074

[22] Filed: Jun. 14, 1982

[52] U.S. Cl. .... D6/130; D6/96

[58] Field of Search ..... D6/96, 97, 114, 130, D6/131, 132, 181, 136; 211/3, 87, 88, 55, 50; 248/300; 108/152; 242/55.2

[56] References Cited

U.S. PATENT DOCUMENTS

D. 58,780	8/1921	Lillibridge .....	D6/97
D. 143,676	1/1946	Smith .....	D6/96
D. 175,917	10/1955	Siemienkiewicz .....	D6/97
D. 185,053	4/1959	Warp .....	D6/96
D. 187,853	5/1960	Smith .....	D6/97
714,137	11/1902	Branch .....	D6/136
4,125,192	11/1978	Dayen .....	D6/132

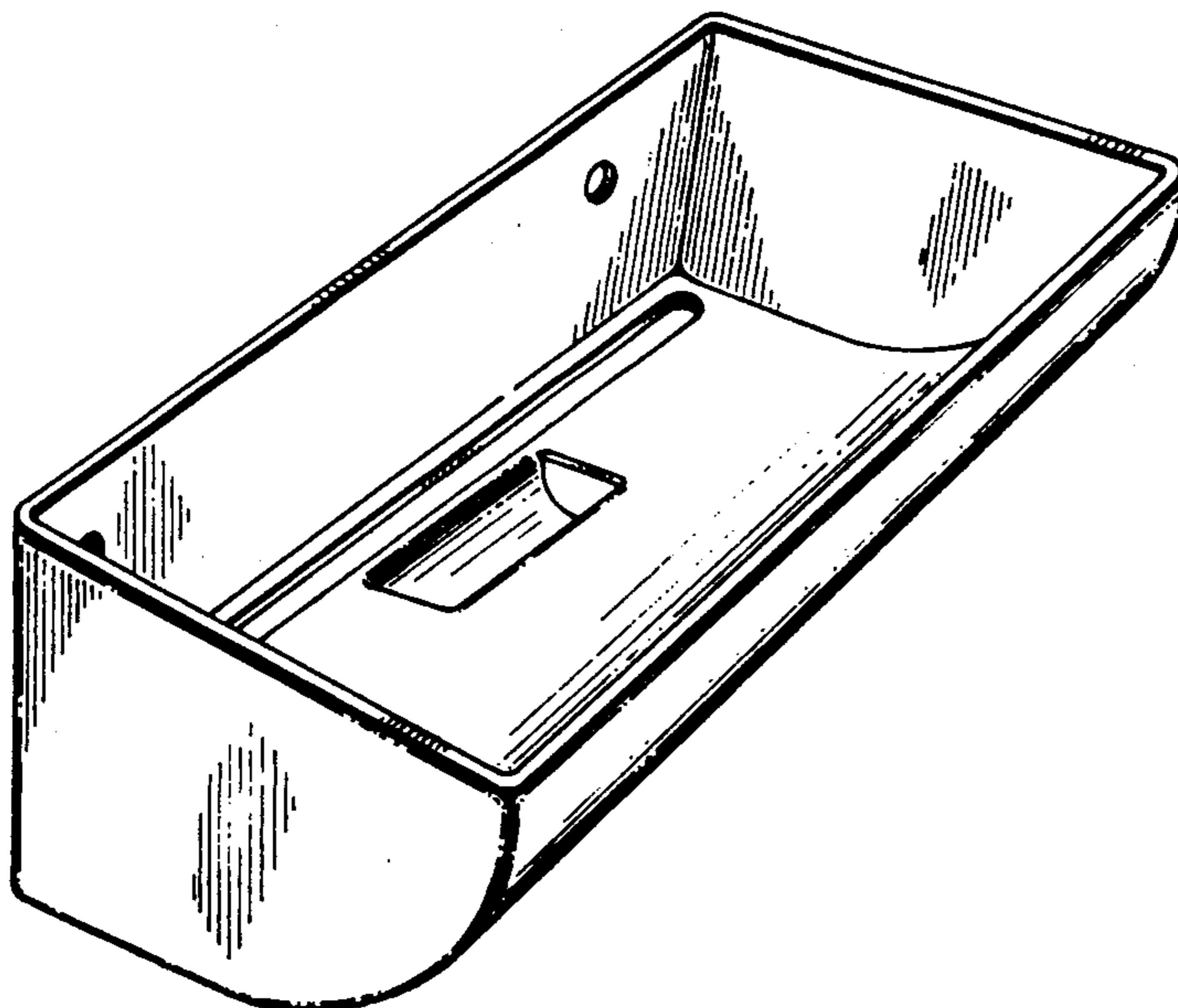
Primary Examiner—B. J. Bullock  
Attorney, Agent, or Firm—Wicks & Nemer

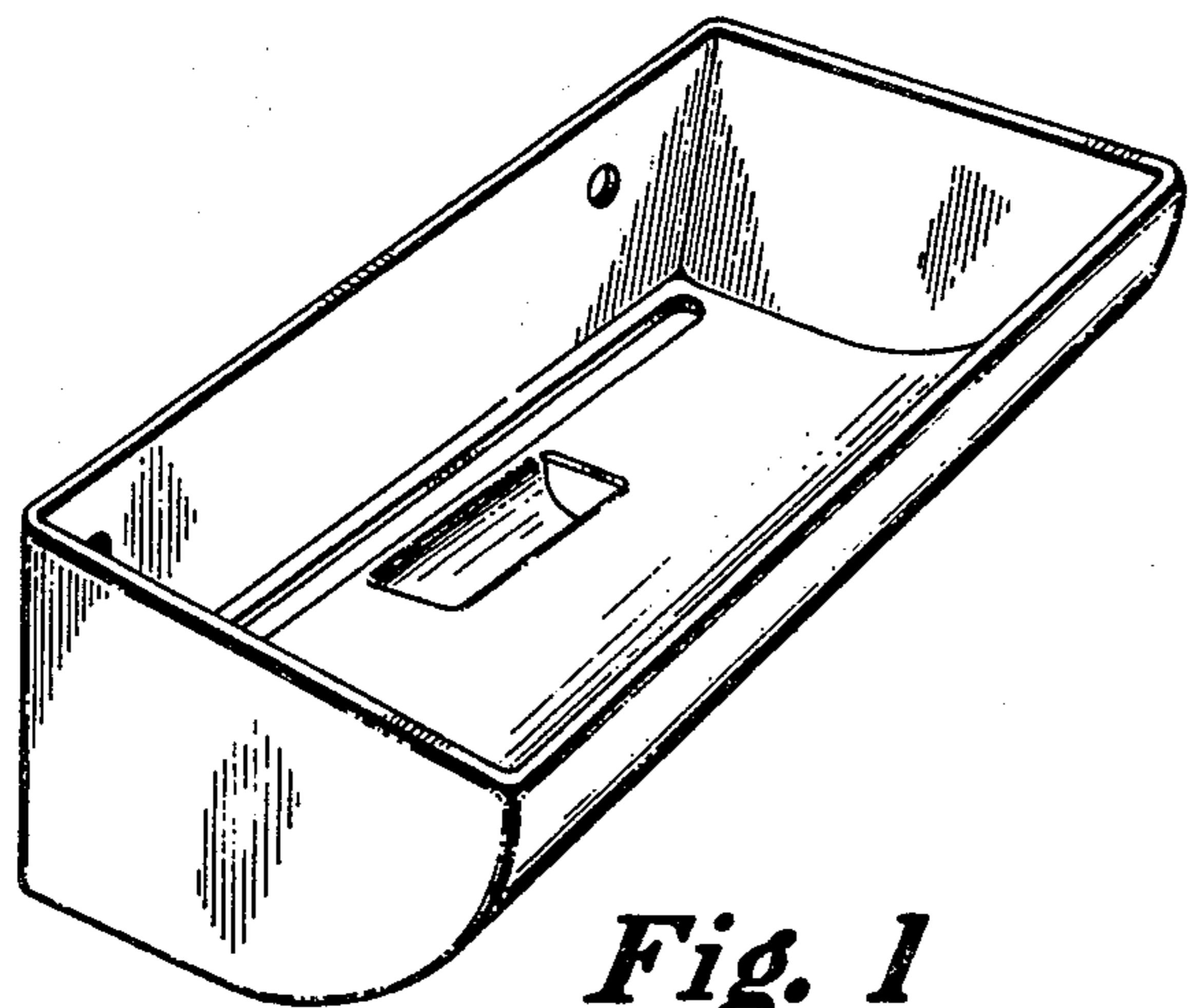
[57] CLAIM

The ornamental design for combined dispensing rack for rolls of interconnected bags and bag closure holder, as shown.

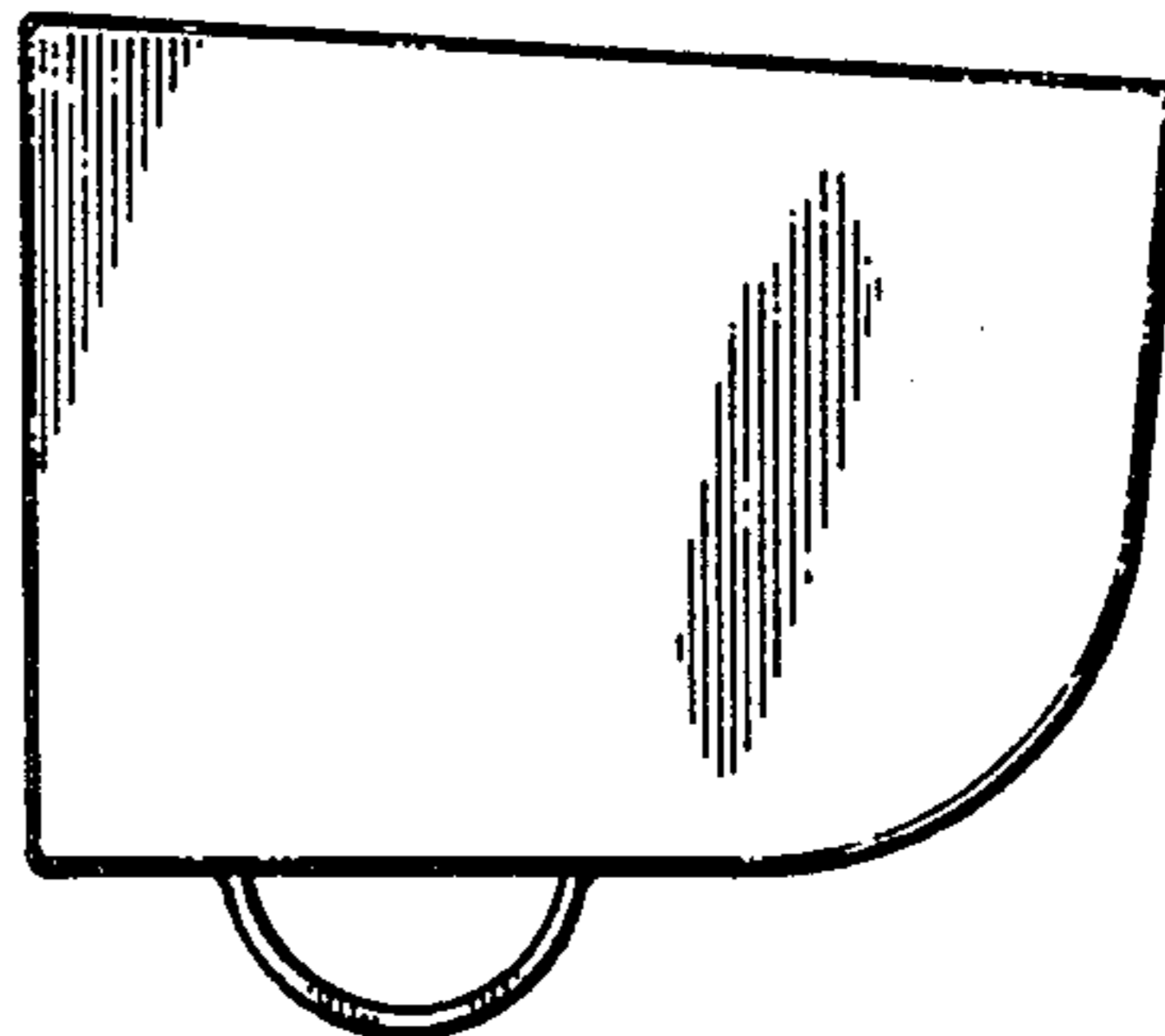
DESCRIPTION

FIG. 1 is a perspective view of a reduced combined dispensing rack for rolls of interconnected bags and bag closure holder embodying our new design; FIG. 2 is an end elevation thereof, with the opposite end being a mirror image thereof; FIG. 3 is a top plan thereof; FIG. 4 is a front elevation thereof; and FIG. 5 is a bottom plan thereof.

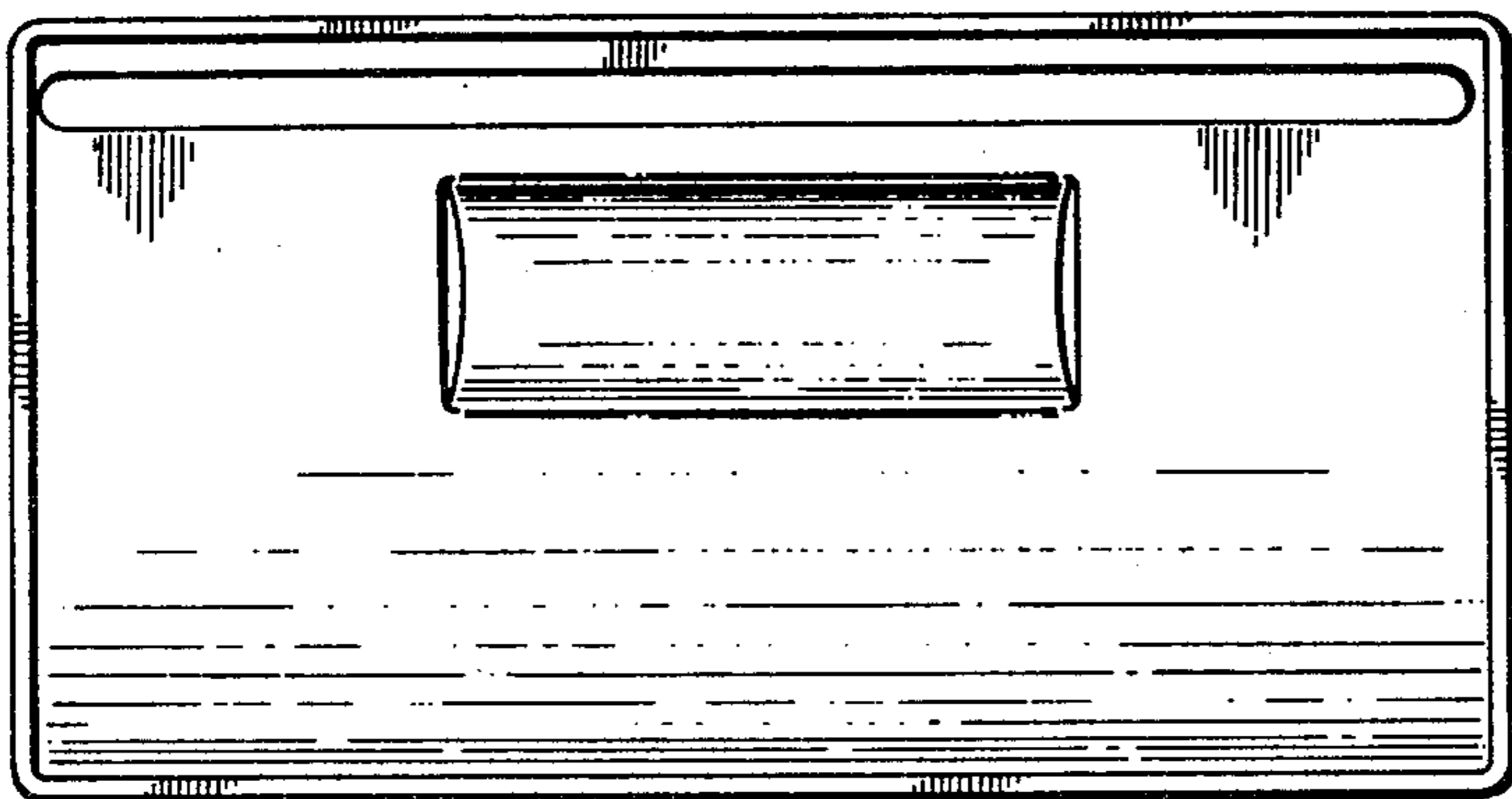




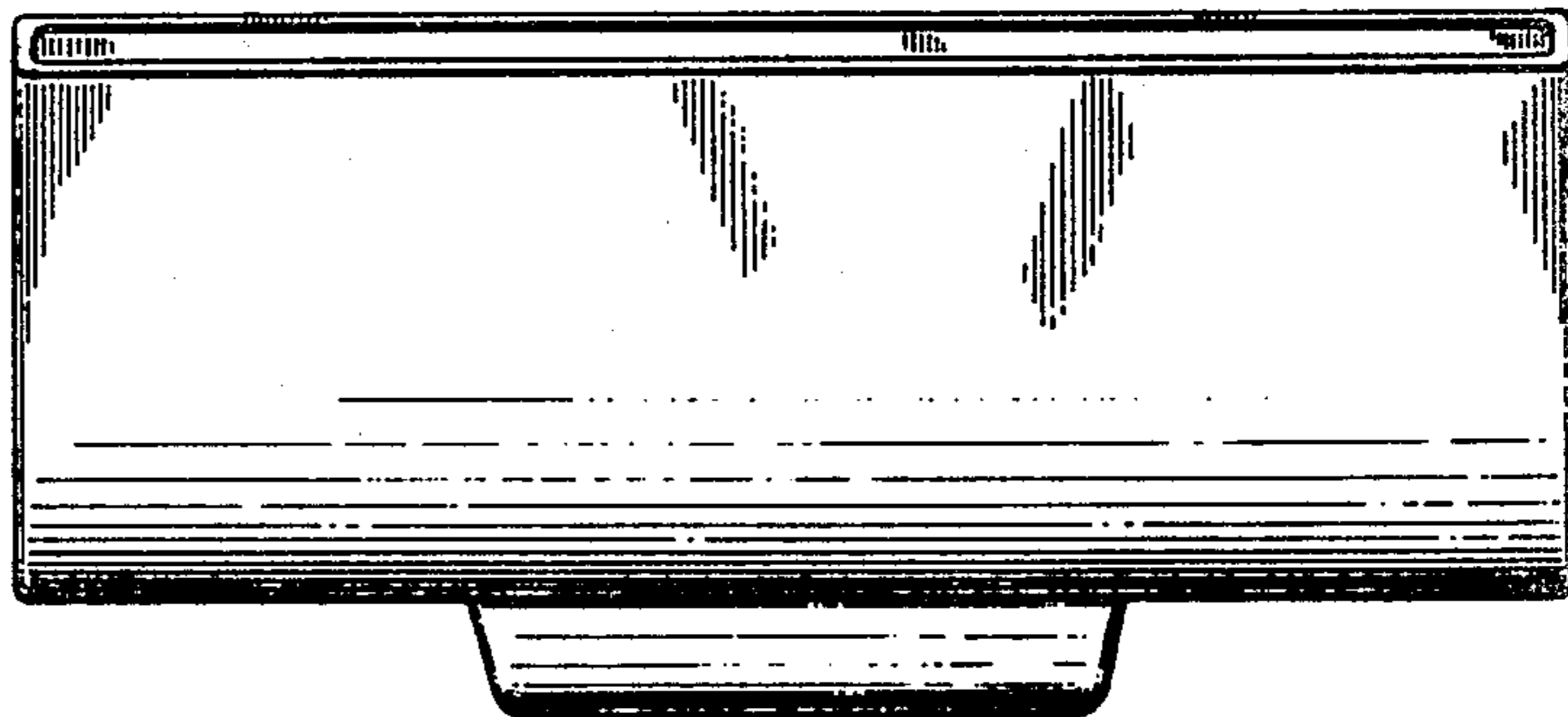
*Fig. 1*



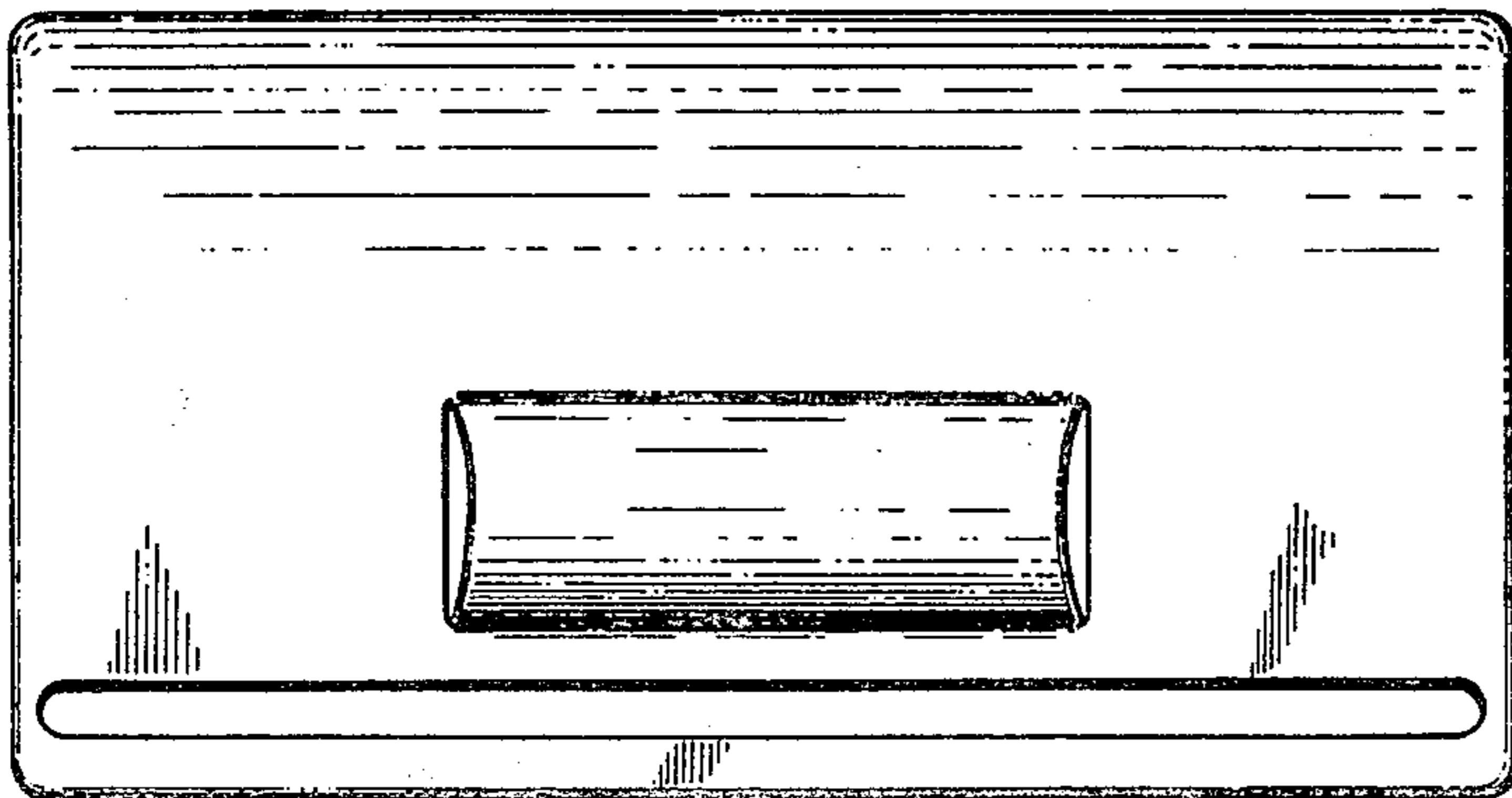
*Fig. 2*



*Fig. 3*



*Fig. 4*



*Fig. 5*