

[54] CHAIR

[75] Inventors: Emilio Ambasz, New York, N.Y.; Giancarlo Piretti, Bologna, Italy

[73] Assignee: Center for Design Research and Development NV, Curacao, Netherlands Antilles

[**] Term: 14 Years

[21] Appl. No.: 466,601

[22] Filed: Feb. 14, 1983

Related U.S. Application Data

[62] Division of Ser. No. 250,606, Apr. 3, 1981.

[52] U.S. Cl. D6/31; D6/30

[58] Field of Search D6/30, 31, 72; 297/248

[56] References Cited

U.S. PATENT DOCUMENTS

D. 241,389	9/1976	Ball	D6/31
D. 249,406	9/1978	Ambasz	D6/31
D. 252,901	9/1979	Petersen	D6/72 X
D. 256,740	9/1980	Acton	D6/31
4,046,422	9/1977	Ambasz	297/248

OTHER PUBLICATIONS

Interiors, Sep. 1973, p. 128, Chair by Curtis Products Ltd.

Interiors, Feb. 1979, p. 62, Chair by American Seating.

Primary Examiner—Bruce W. Dunkins

Attorney, Agent, or Firm—Brumbaugh, Graves, Donohue & Raymond

[57] CLAIM

The ornamental design for a chair, as shown and described.

DESCRIPTION

FIG. 1 is a front elevational view of a first embodiment of a chair incorporating our new design;

FIG. 2 is a side elevational view of the first embodiment;

FIG. 3 is a top view of the first embodiment;

FIG. 4 is a bottom view of the first embodiment;

FIG. 5 is a rear elevational view of the first embodiment;

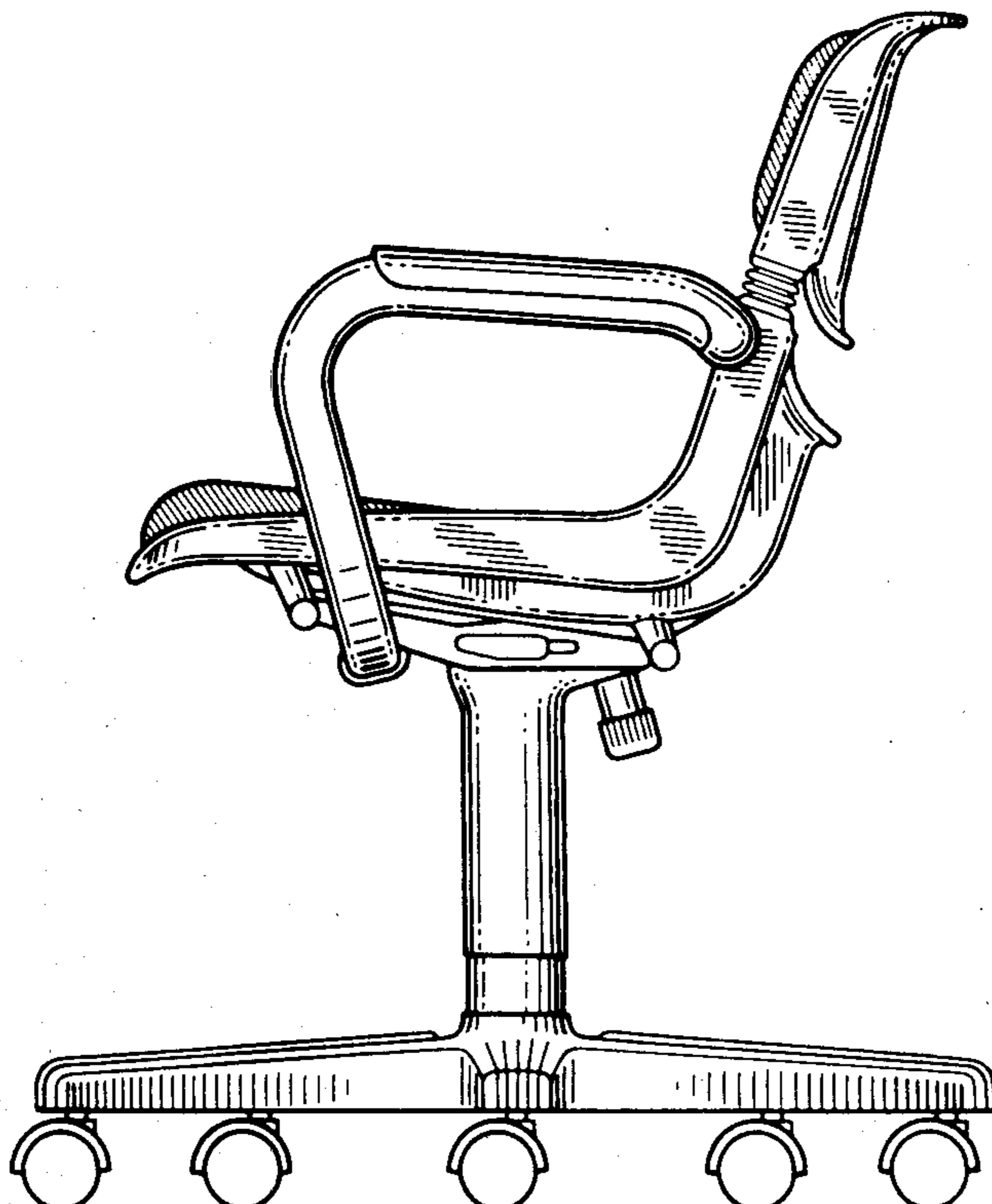
FIG. 6 is a front elevational view of a second embodiment of a chair incorporating our new design;

FIG. 7 is a side elevational view of the second embodiment;

FIG. 8 is a top view of the second embodiment;

FIG. 9 is a bottom view of the second embodiment; and

FIG. 10 is a rear elevational view of the second embodiment.



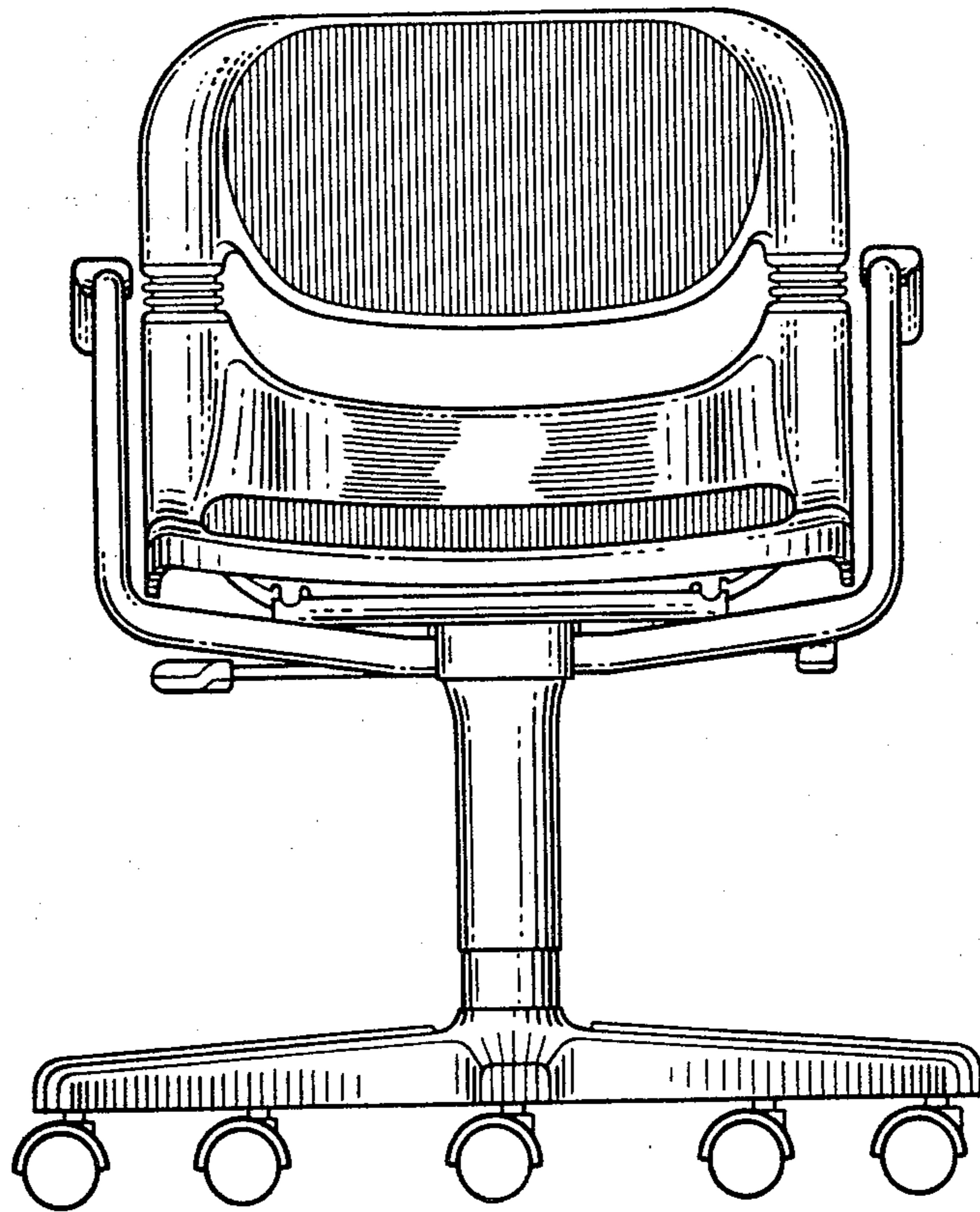


FIG. 1

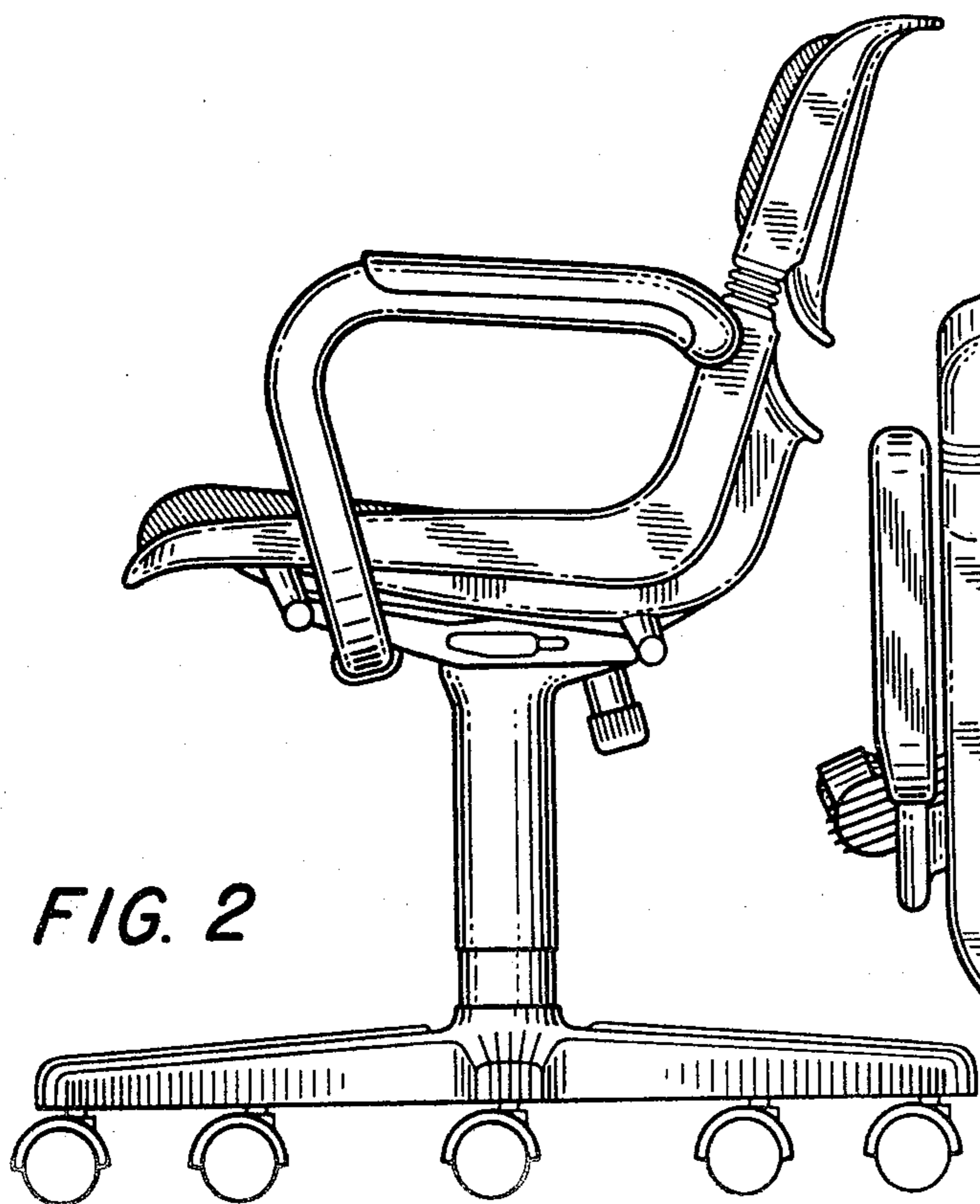


FIG. 2

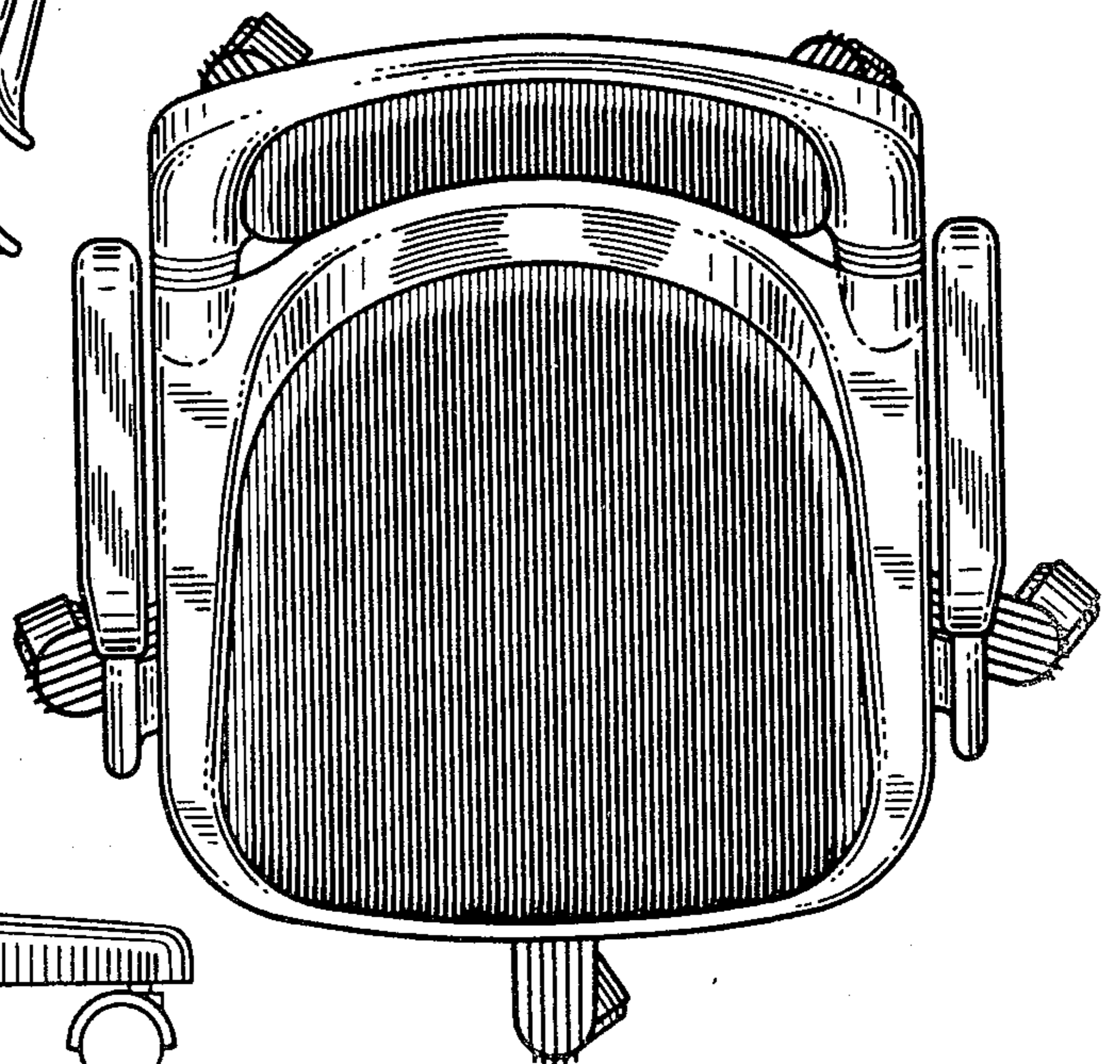


FIG. 3

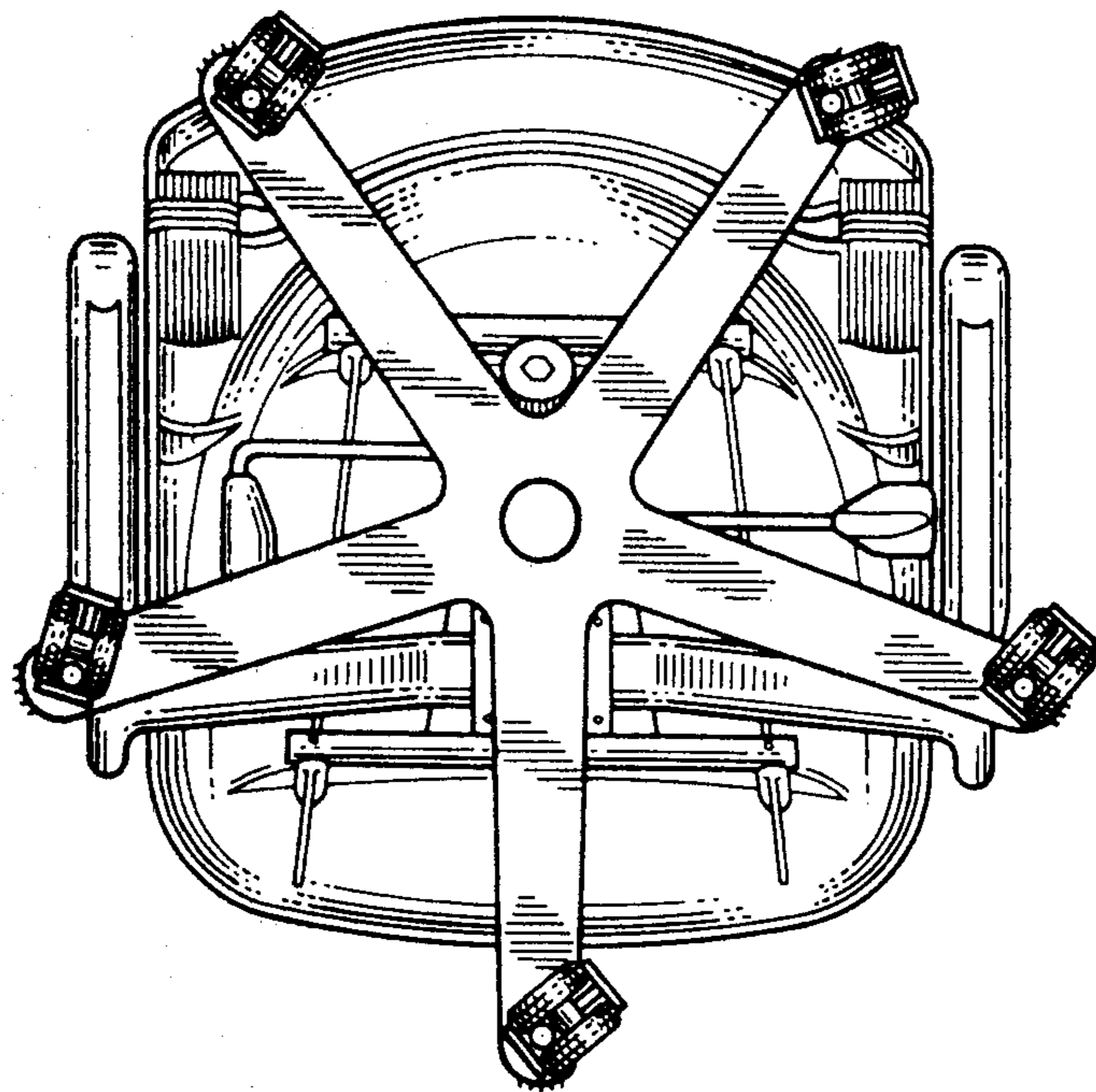


FIG. 4

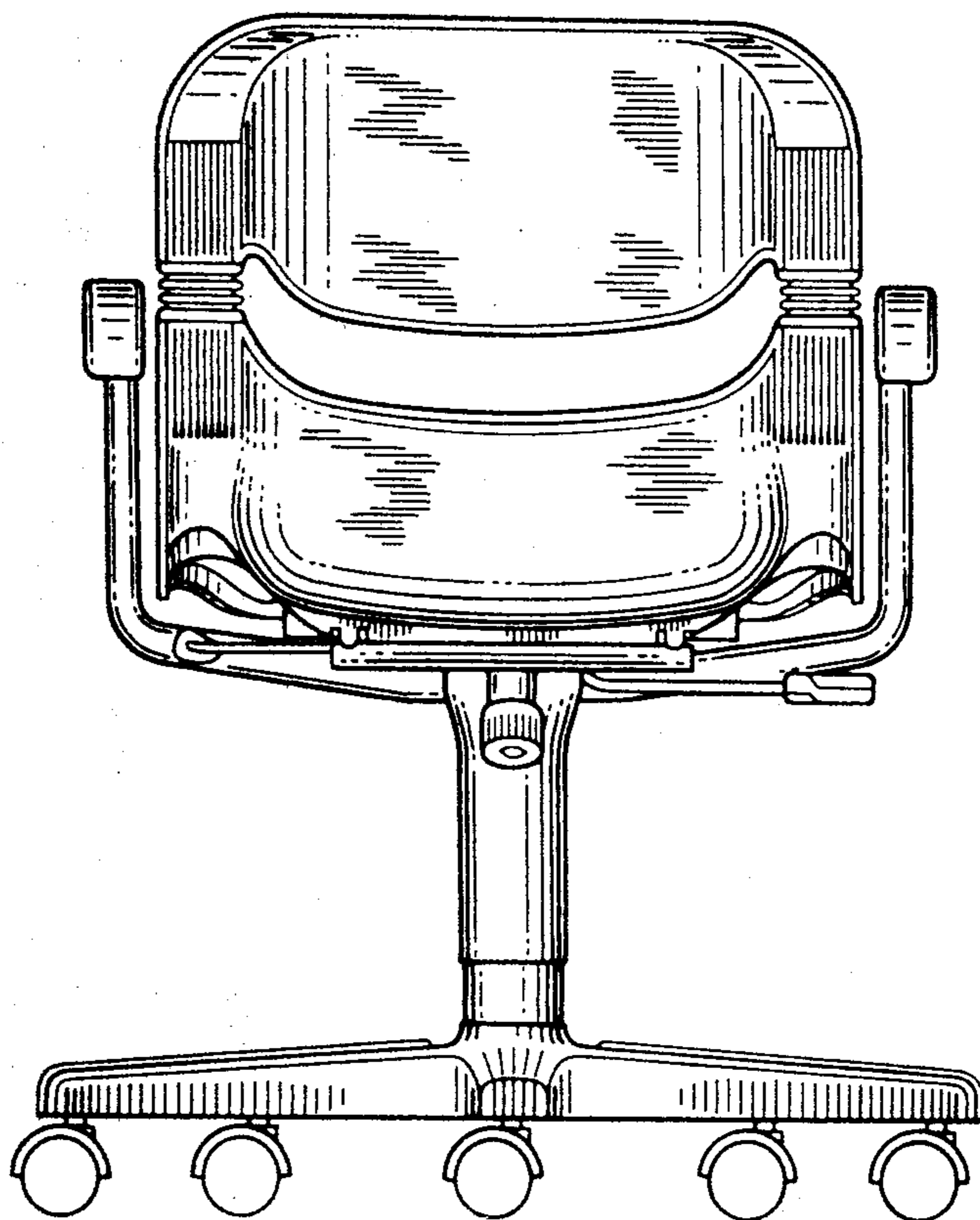


FIG. 5

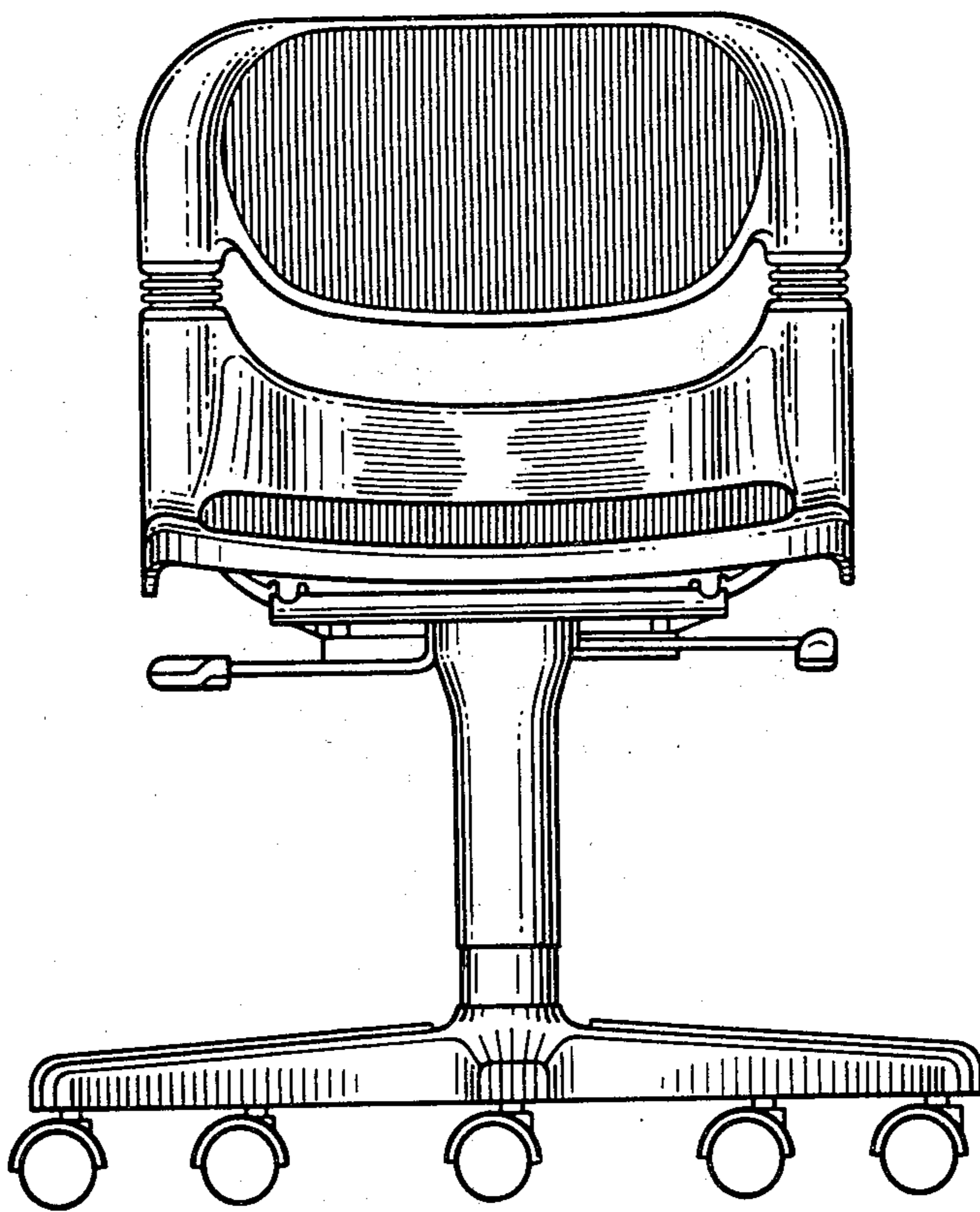


FIG. 6

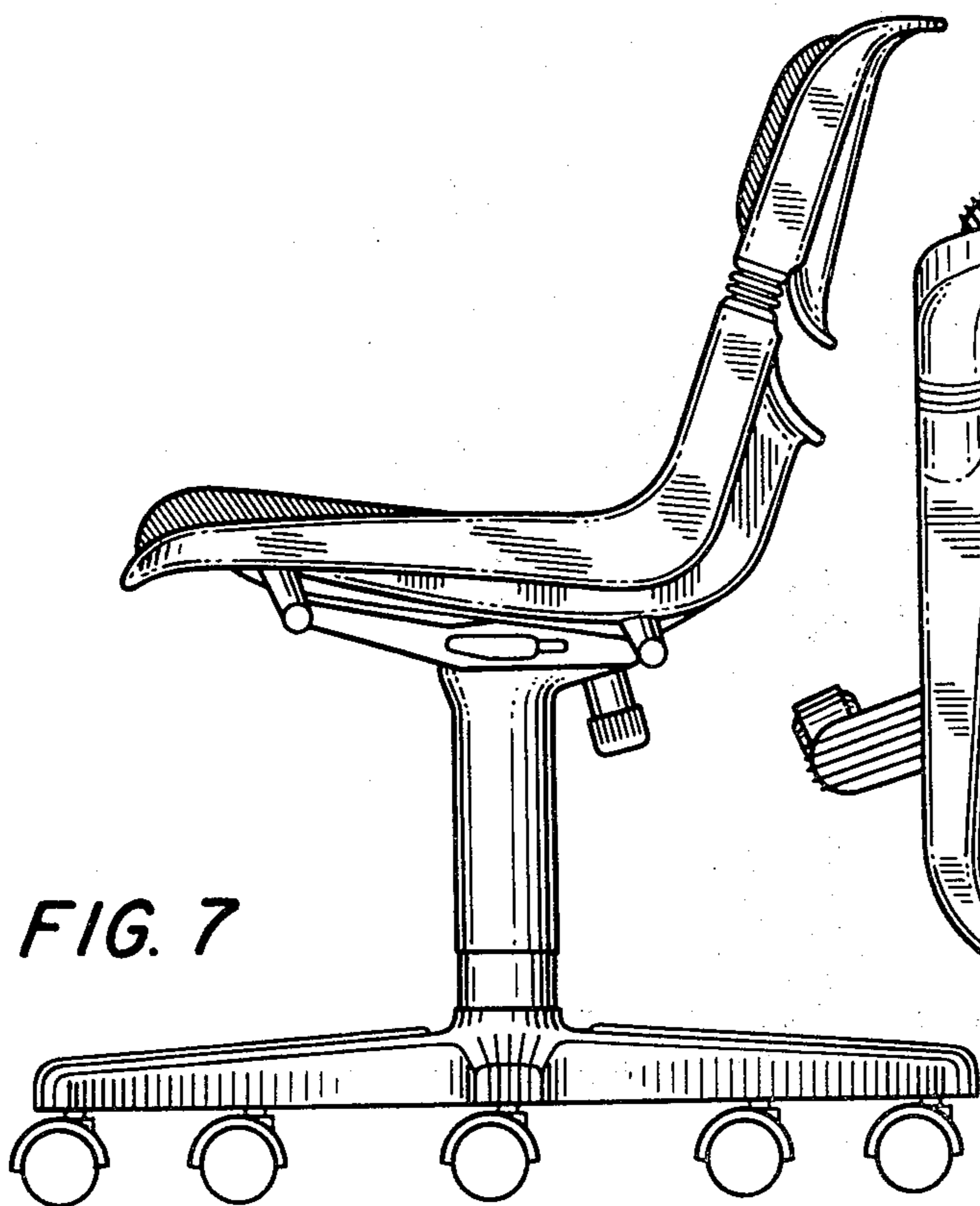


FIG. 7

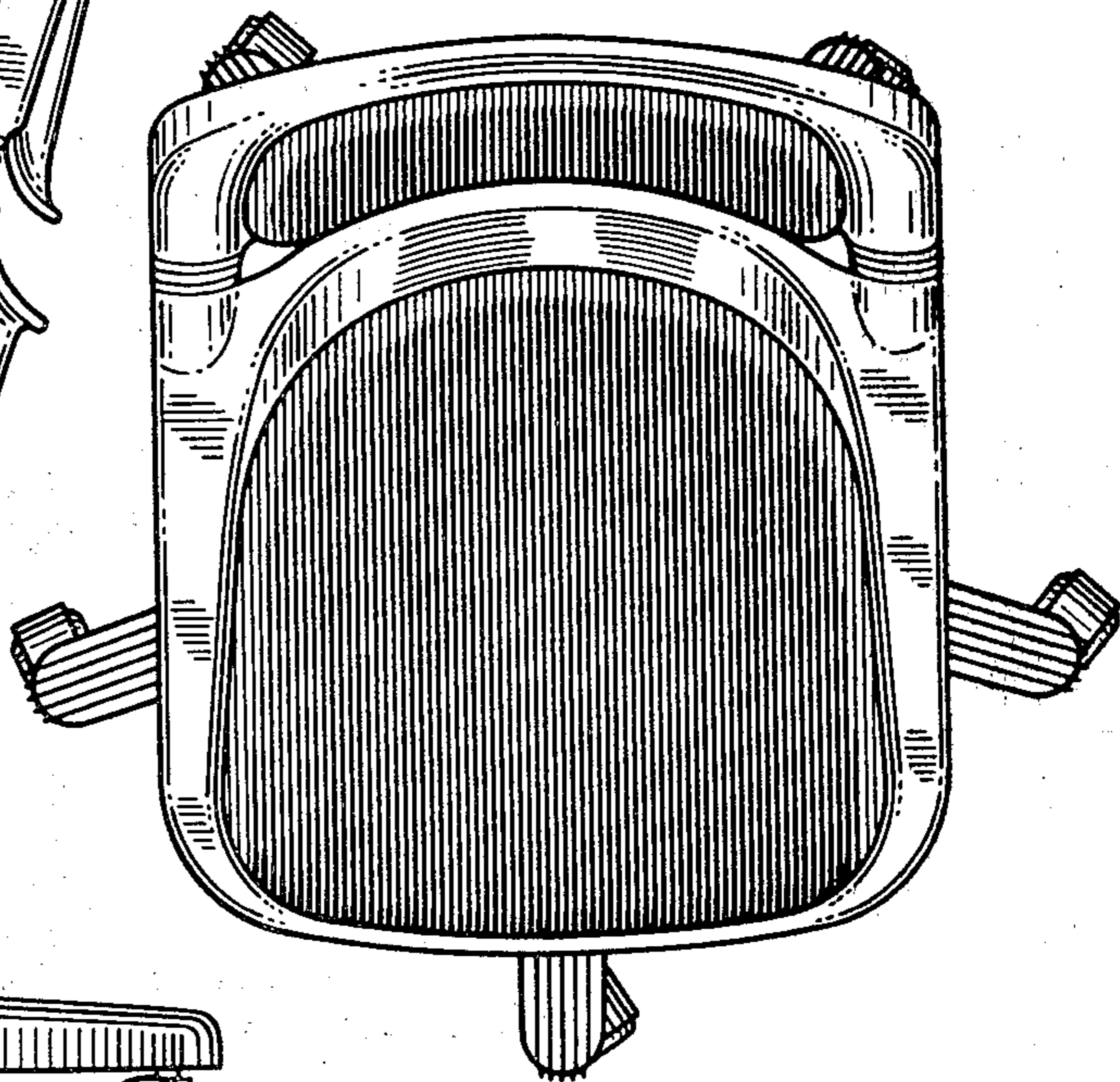


FIG. 8

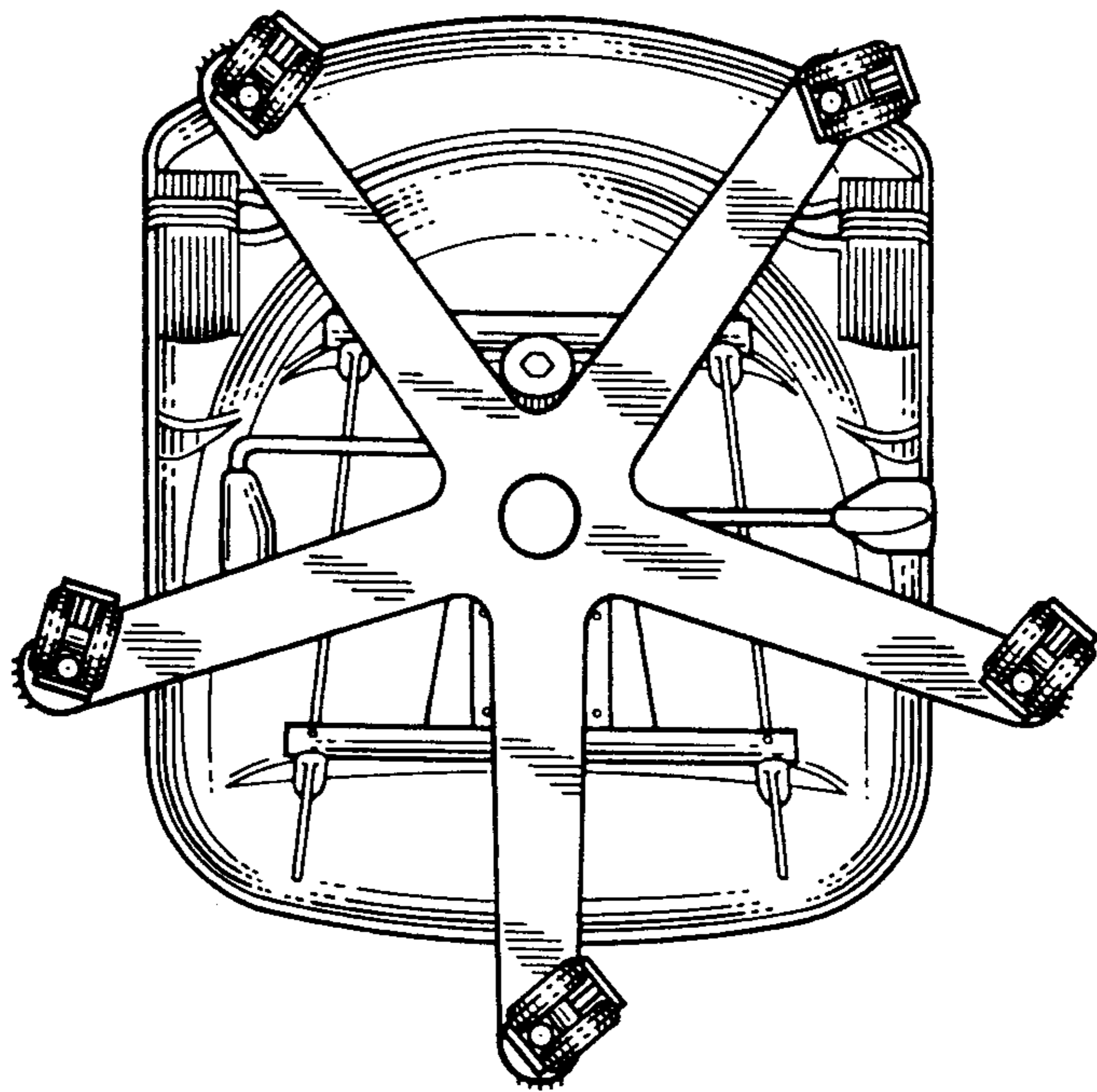


FIG. 9

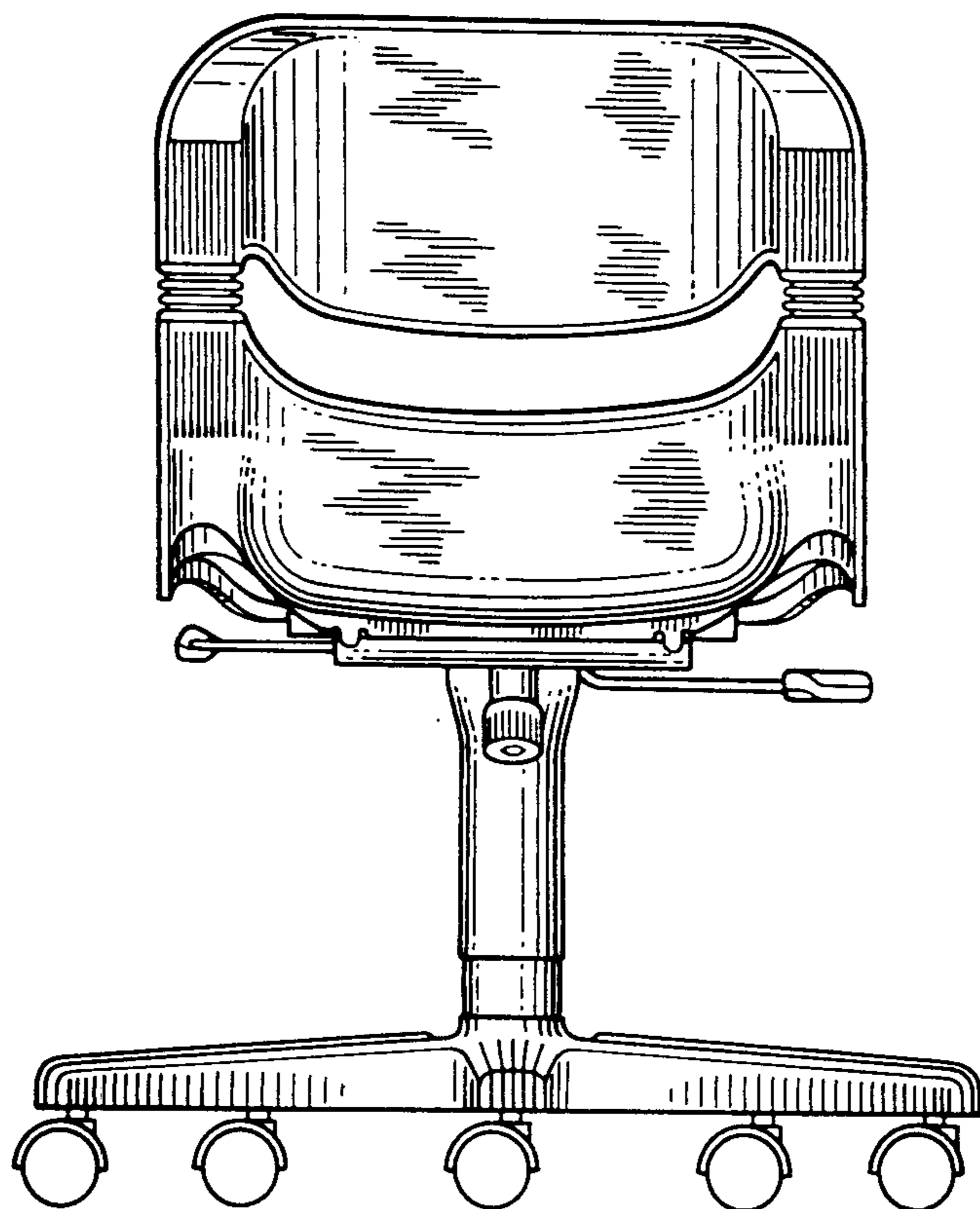


FIG. 10