

- [54] **SAMPLE CUP OR THE LIKE**
- [75] Inventor: **James T. Holen, Mundelein, Ill.**
- [73] Assignee: **Abbott Laboratories, North Chicago, Ill.**
- [**] Term: **14 Years**
- [21] Appl. No.: **270,310**
- [22] Filed: **Jun. 4, 1981**
- [52] U.S. Cl. **D24/56; D24/17; D24/99**
- [58] Field of Search **422/67, 77, 73; 206/369; D24/31, 17, 99, 8, 56; 23/230 B**

D. 266,588 10/1982 Mellars D24/17
 3,969,079 7/1976 Catarious 23/230 B
 4,234,538 11/1980 Ginsberg 422/67

Primary Examiner—Bernard Ansher
Attorney, Agent, or Firm—John J. McDonnell; James L. Wilcox

[56] **References Cited**

U.S. PATENT DOCUMENTS

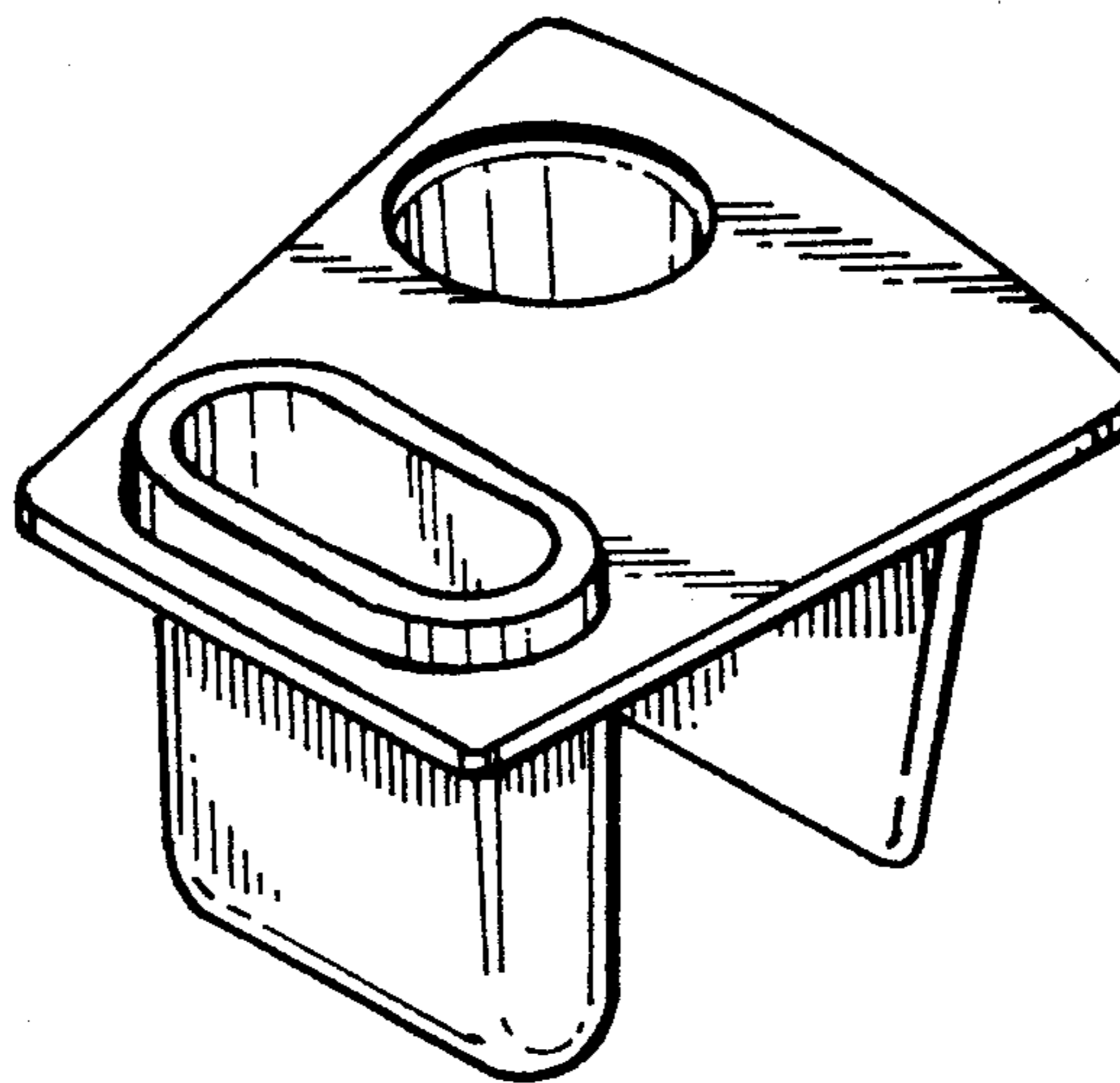
D. 249,708 9/1978 Smith et al. D24/56
 D. 256,124 6/1982 Terk D24/31 X
 D. 258,144 2/1981 Kallet et al. D24/99

[57] **CLAIM**

The ornamental design of a sample cup or the like, substantially as shown and described.

DESCRIPTION

FIG. 1 is a perspective view from the top front of my new design for a sample cup;
 FIG. 2 is a top plan view thereof;
 FIG. 3 is a right side elevational view thereof;
 FIG. 4 is a bottom plan view thereof;
 FIG. 5 is a rear elevational view thereof;
 FIG. 6 is a front elevational view thereof; and
 FIG. 7 is a left side elevational view thereof.



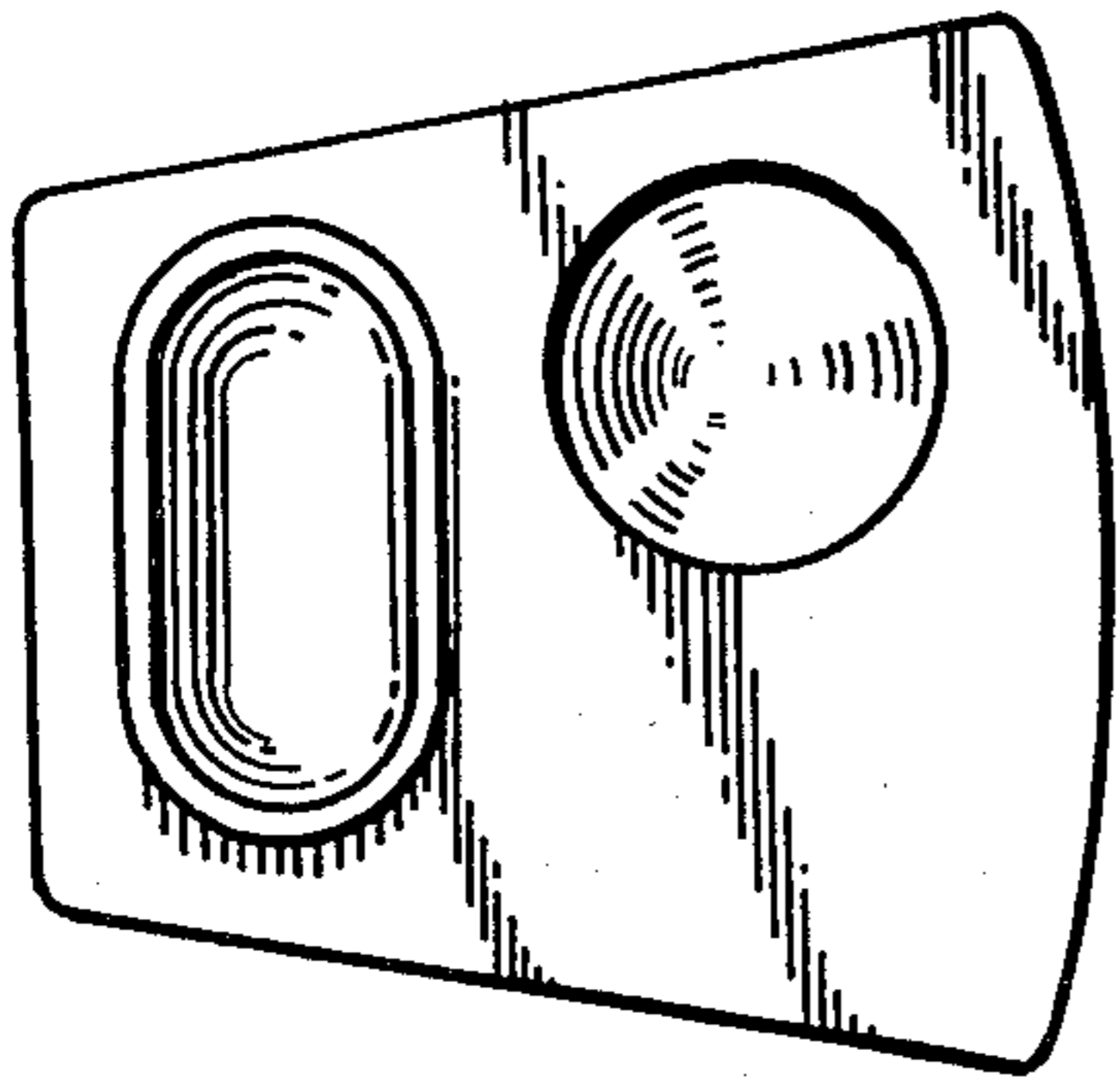


FIG. 2

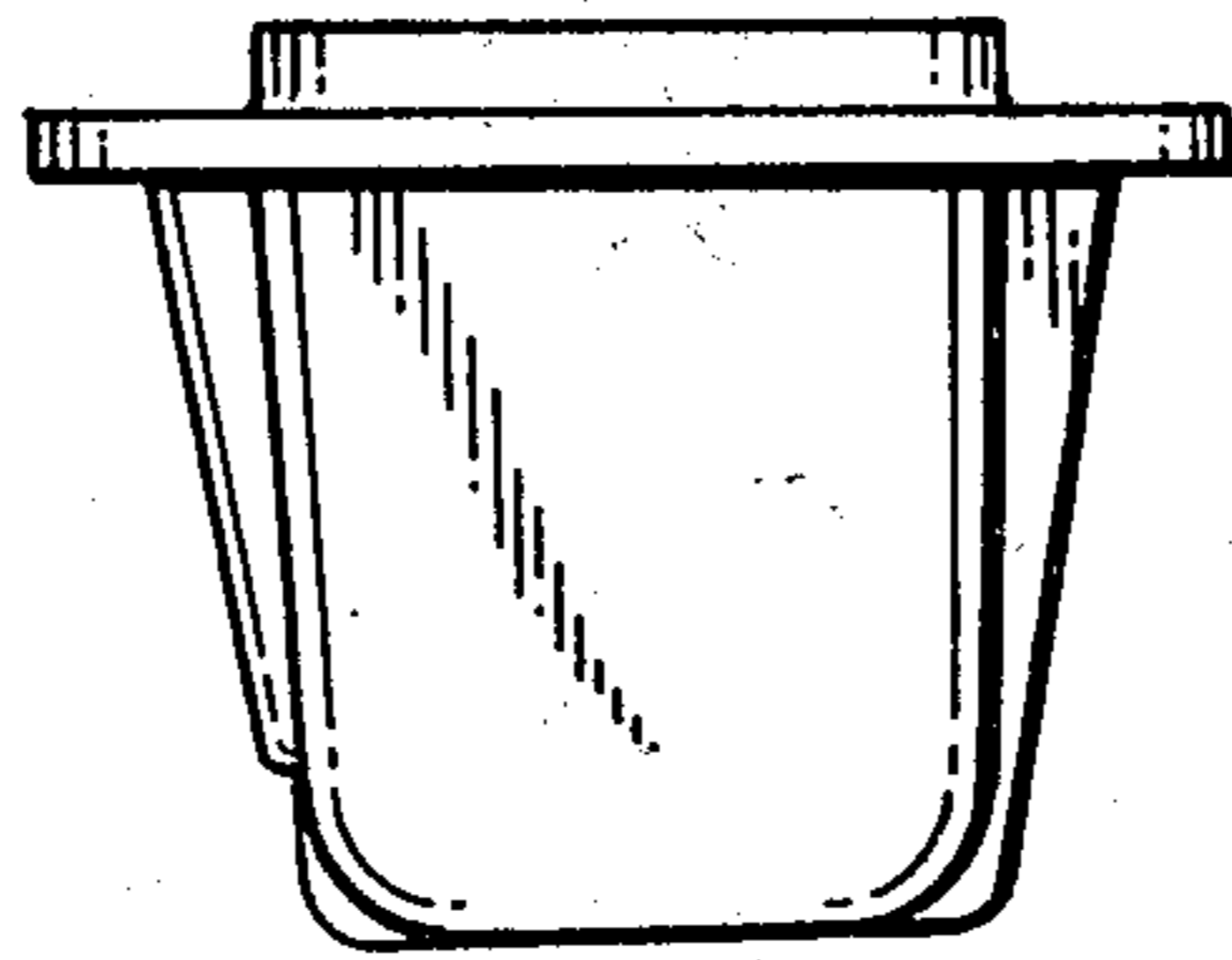


FIG. 6

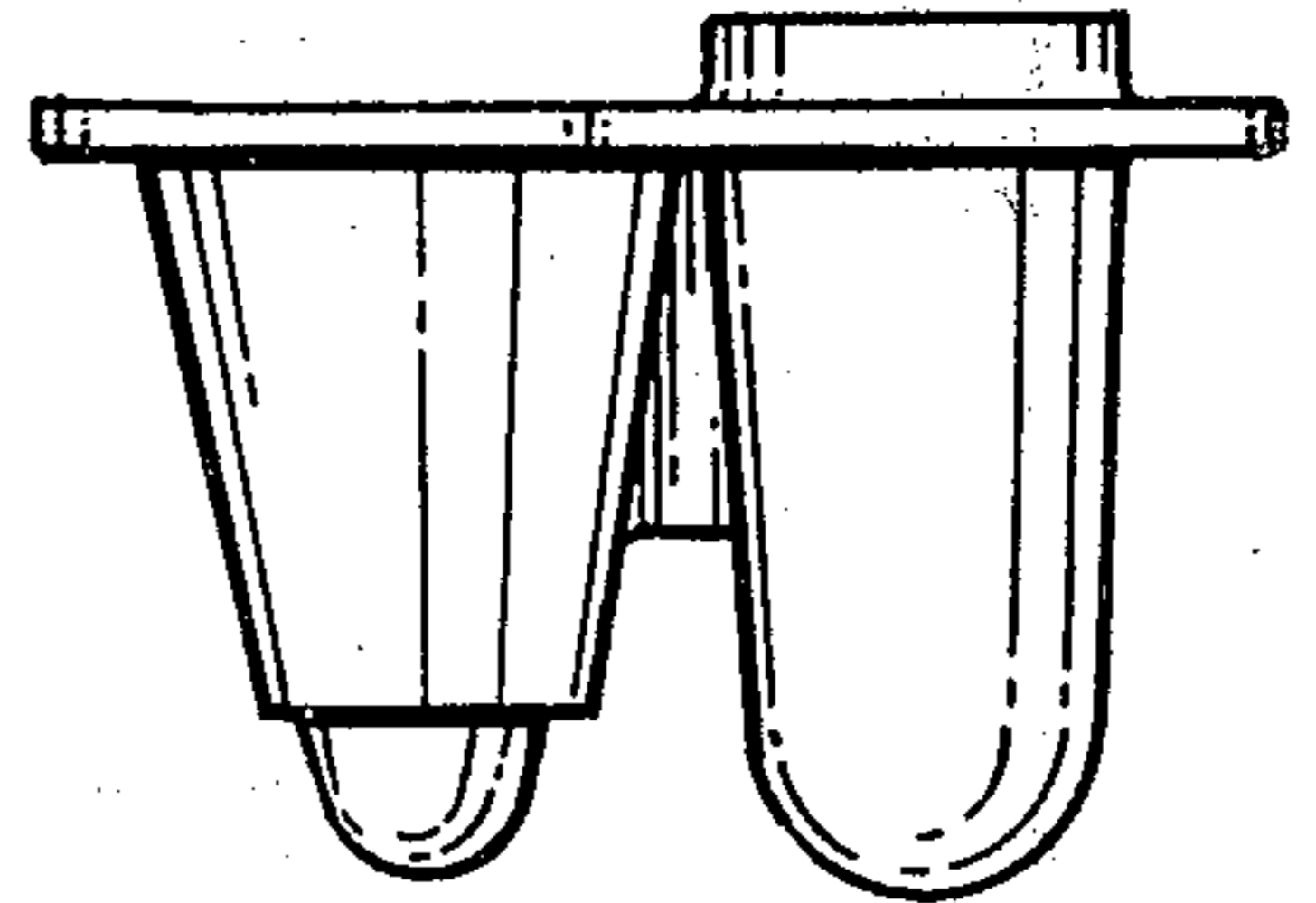


FIG. 7

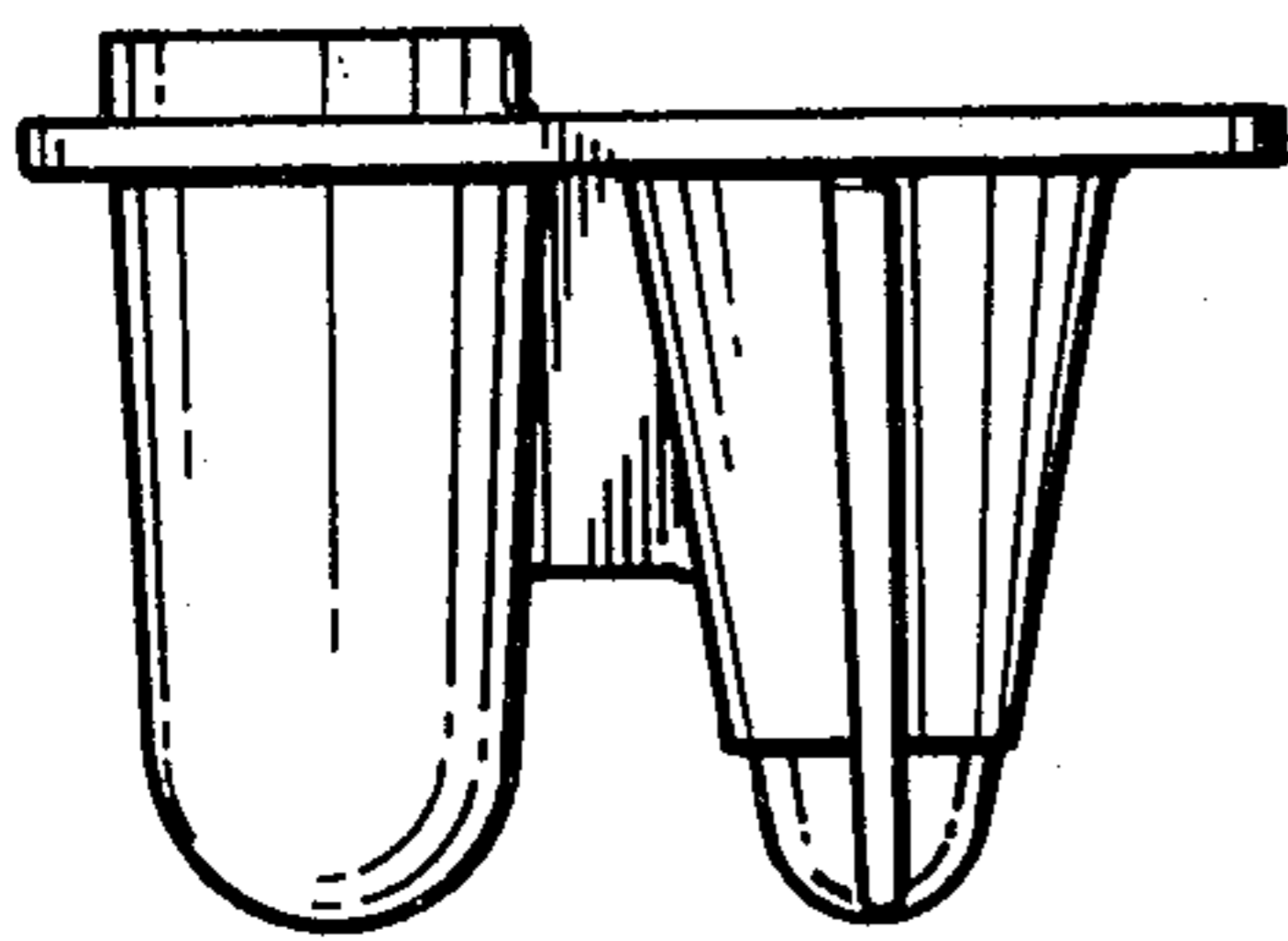


FIG. 3

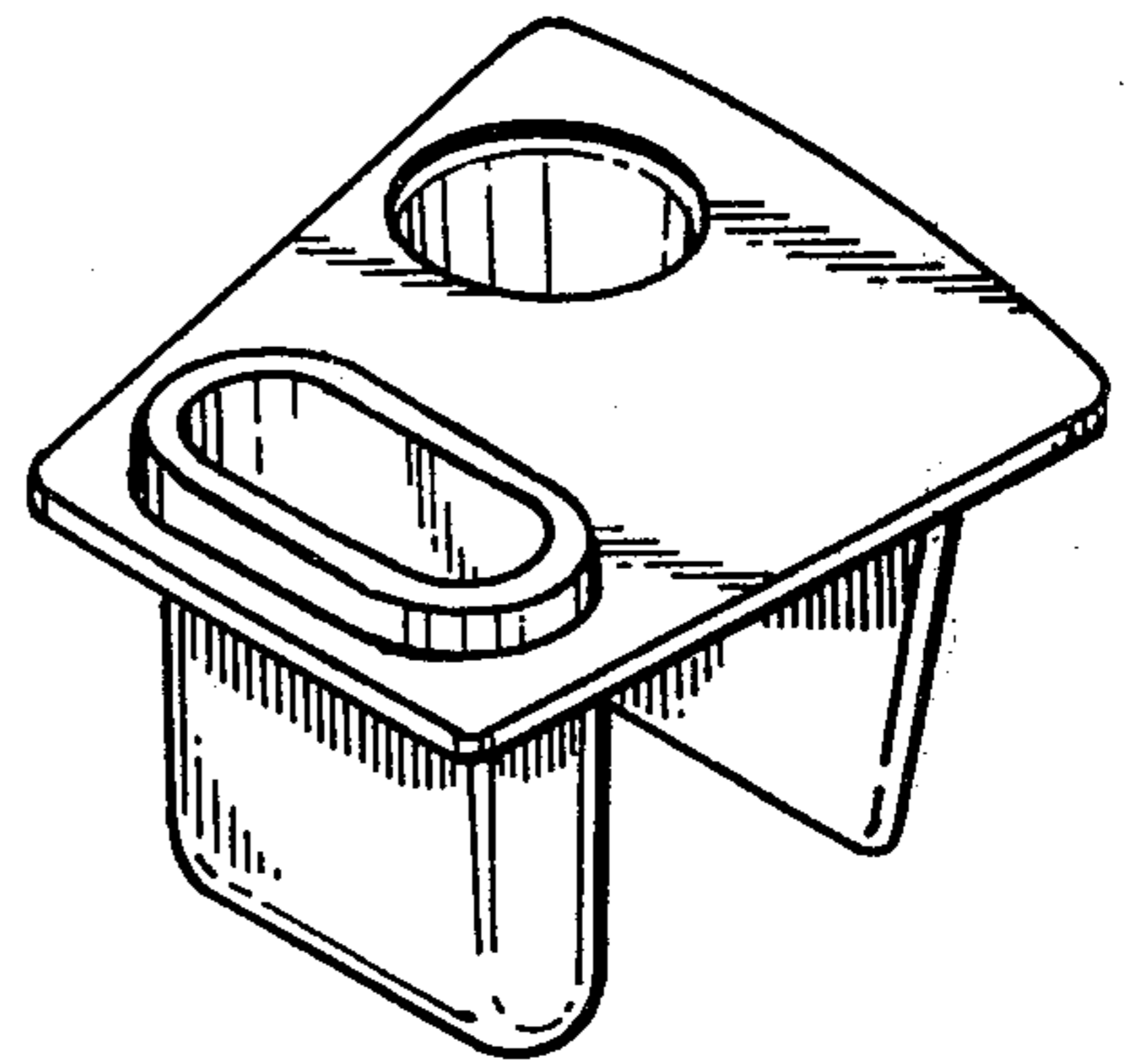


FIG. 1

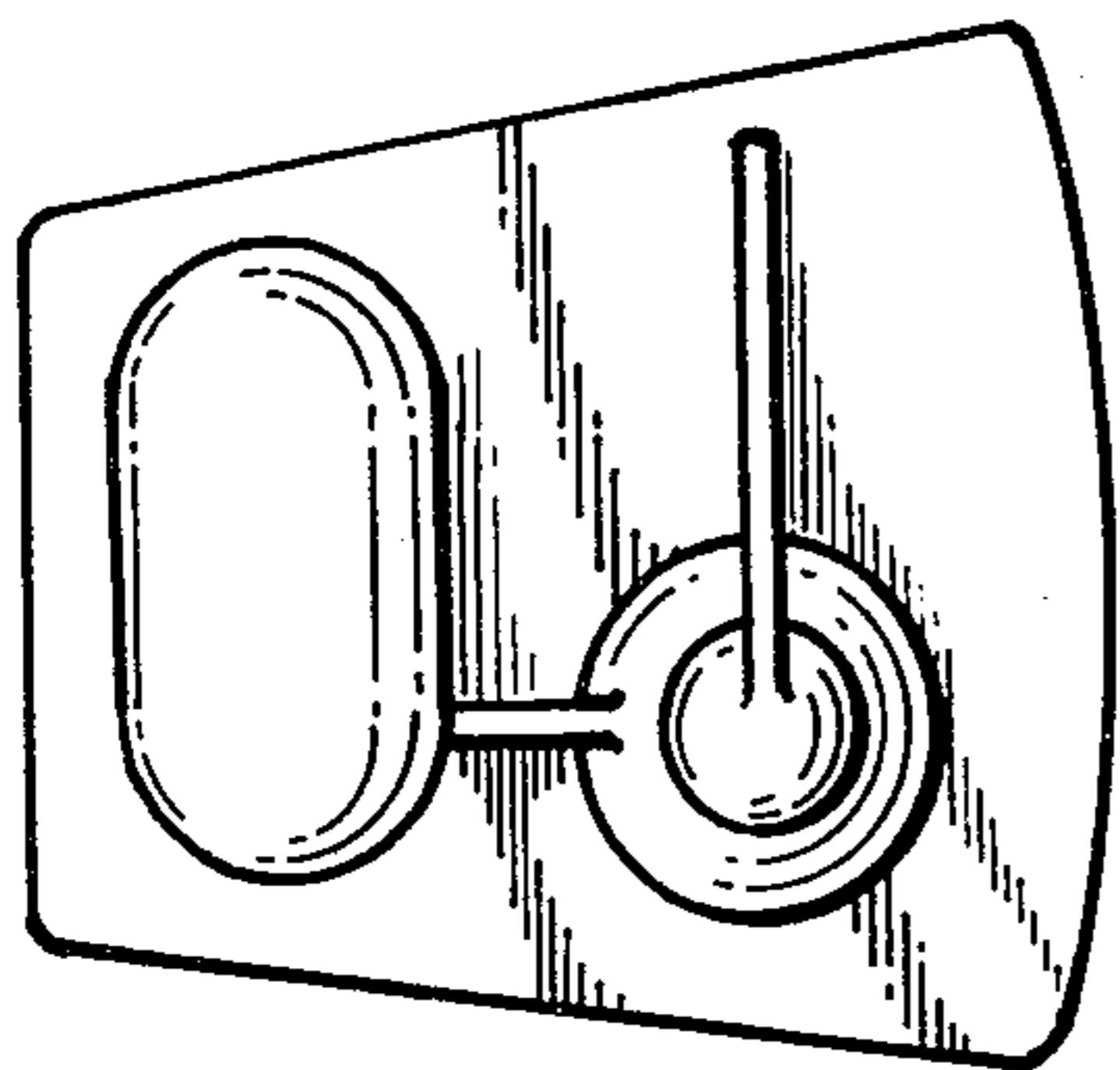


FIG. 4

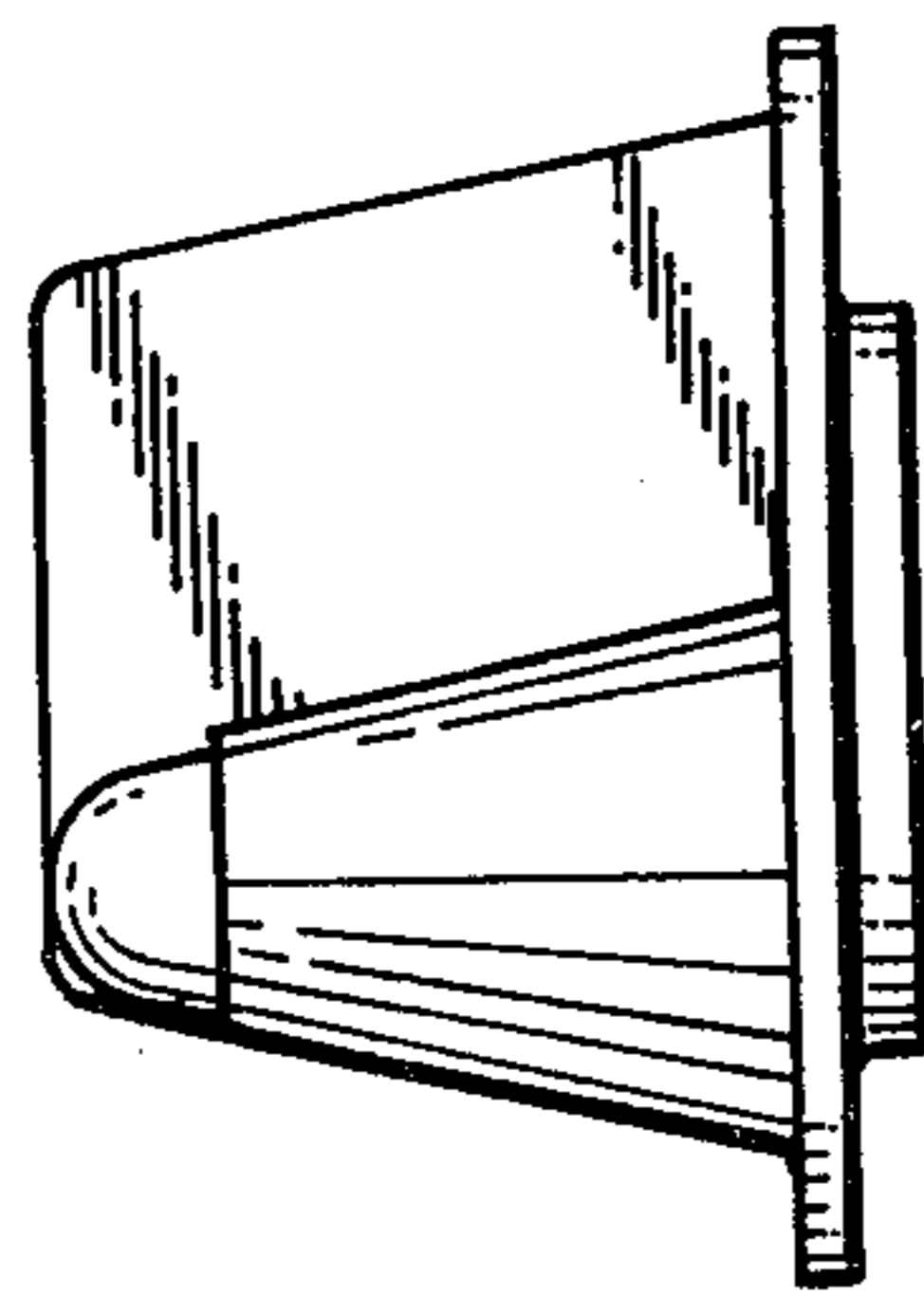


FIG. 5