

[54] MODULAR LIQUID OR GAS MANIFOLD FOR A SWIMMING POOL SOLAR HEATER

[76] Inventor: Karl Fueloep, 27 Braund Rd., Fitzroy, State of South Australia, Australia

[**] Term: 14 Years

[21] Appl. No.: 277,971

[22] Filed: Jun. 25, 1981

[30] Foreign Application Priority Data

Nov. 27, 1980 [AU] Australia 82714

Jan. 16, 1981 [AU] Australia 83158

[52] U.S. Cl. D23/127; D25/2

[58] Field of Search D23/72, 127; 126/415, 126/416, 417, 442, 448, 450; D25/2

[56] References Cited

U.S. PATENT DOCUMENTS

4,206,748	6/1980	Goodman et al.	126/416 X
4,256,087	3/1981	Sowers	126/415
4,307,707	12/1981	Stewart	126/416 X

Primary Examiner—Catherine E. Kemper
Attorney, Agent, or Firm—Charles A. Blank

[57] CLAIM

The ornamental design for a modular liquid or gas manifold for a swimming pool solar heater, substantially as shown and described.

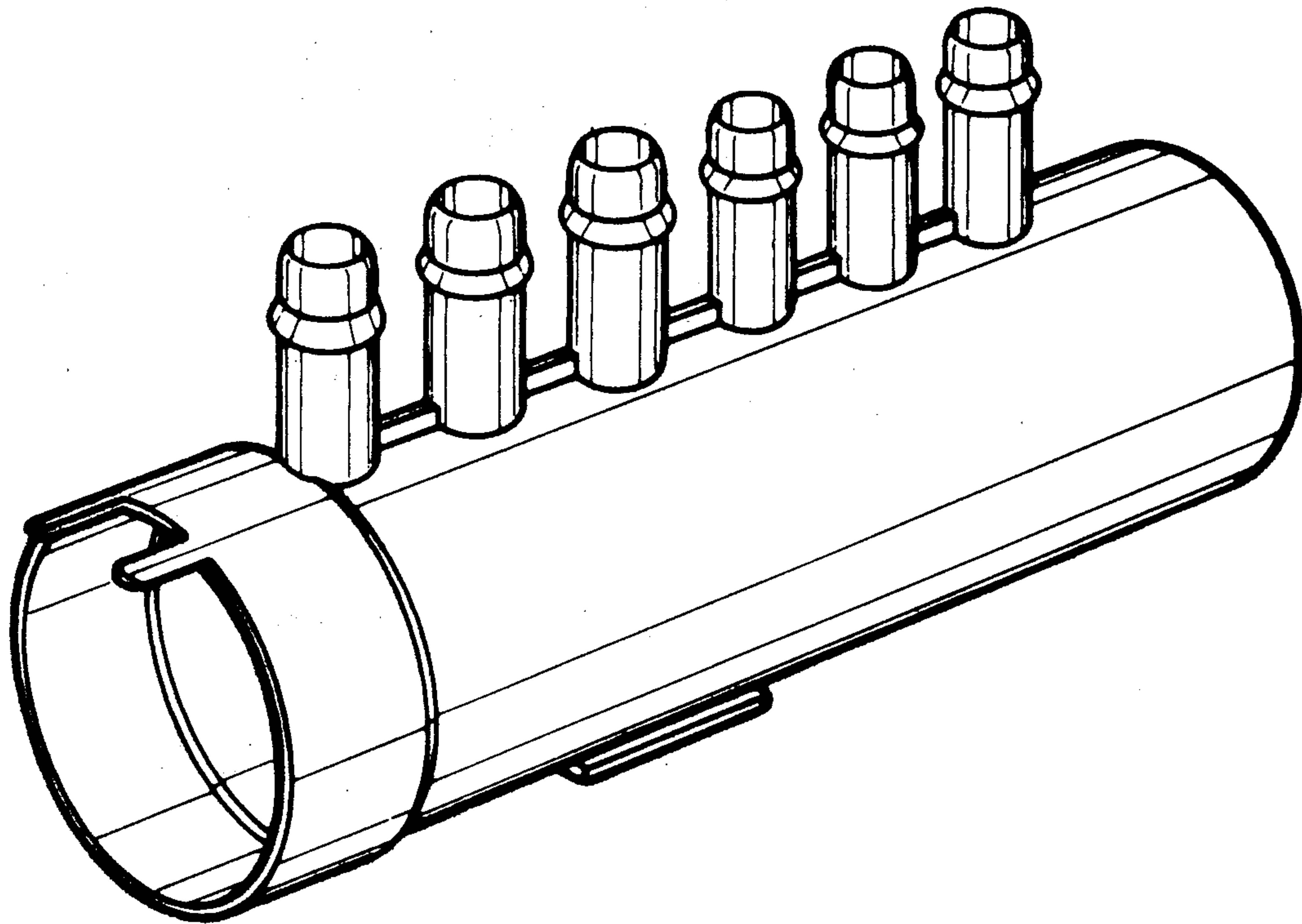
DESCRIPTION

FIG. 1 is a side elevational view of a modular liquid or gas manifold for a swimming pool solar heater, showing my new design;

FIG. 2 is a top plan view thereof;

FIG. 3 is an end elevational view thereof; and

FIG. 4 is a perspective view thereof.



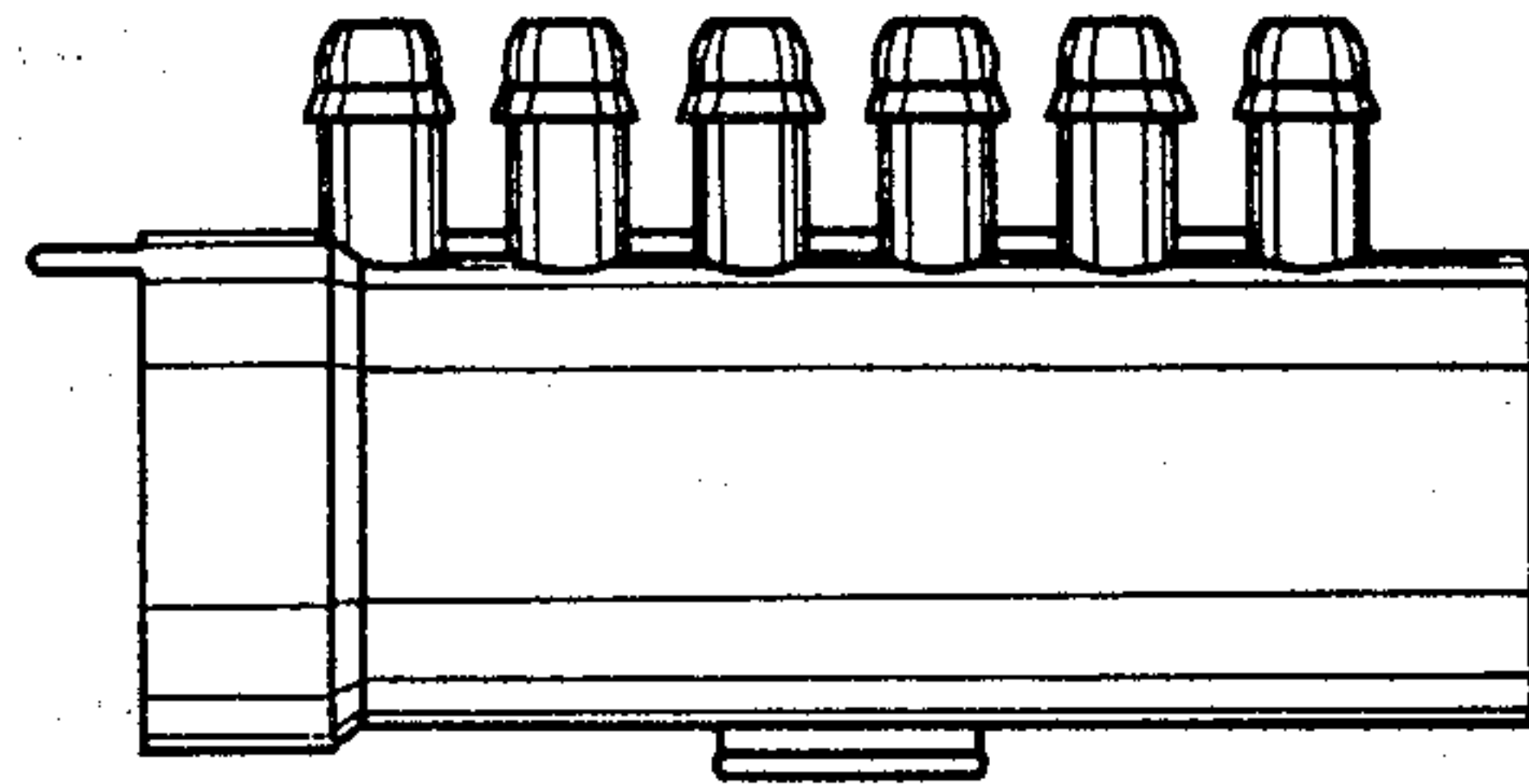


FIG 1

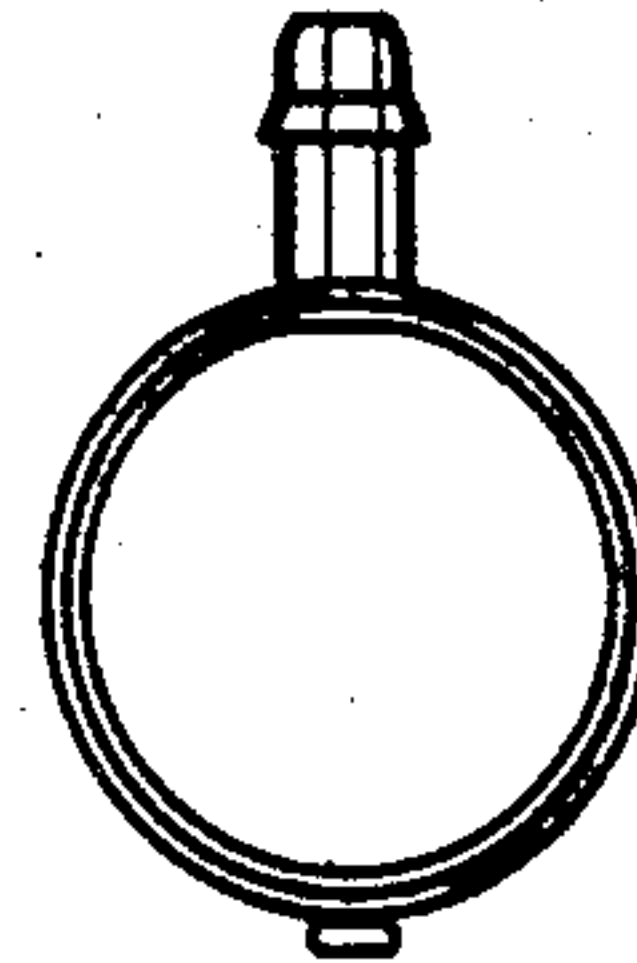


FIG 3

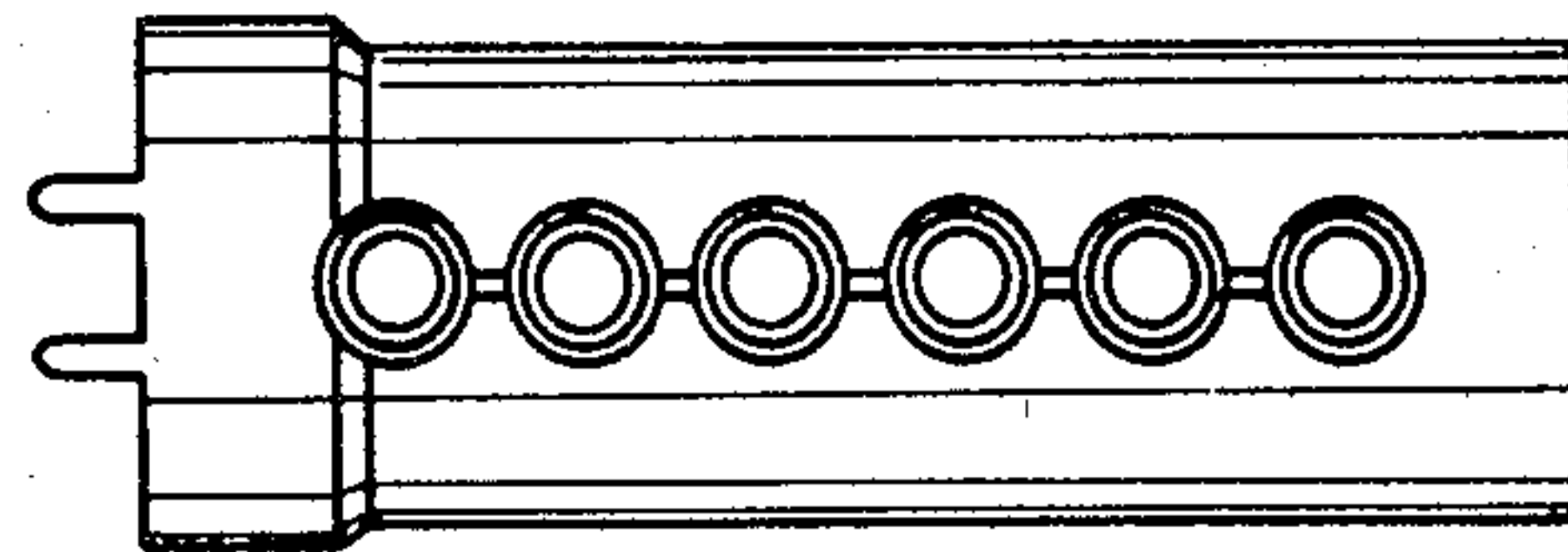


FIG 2

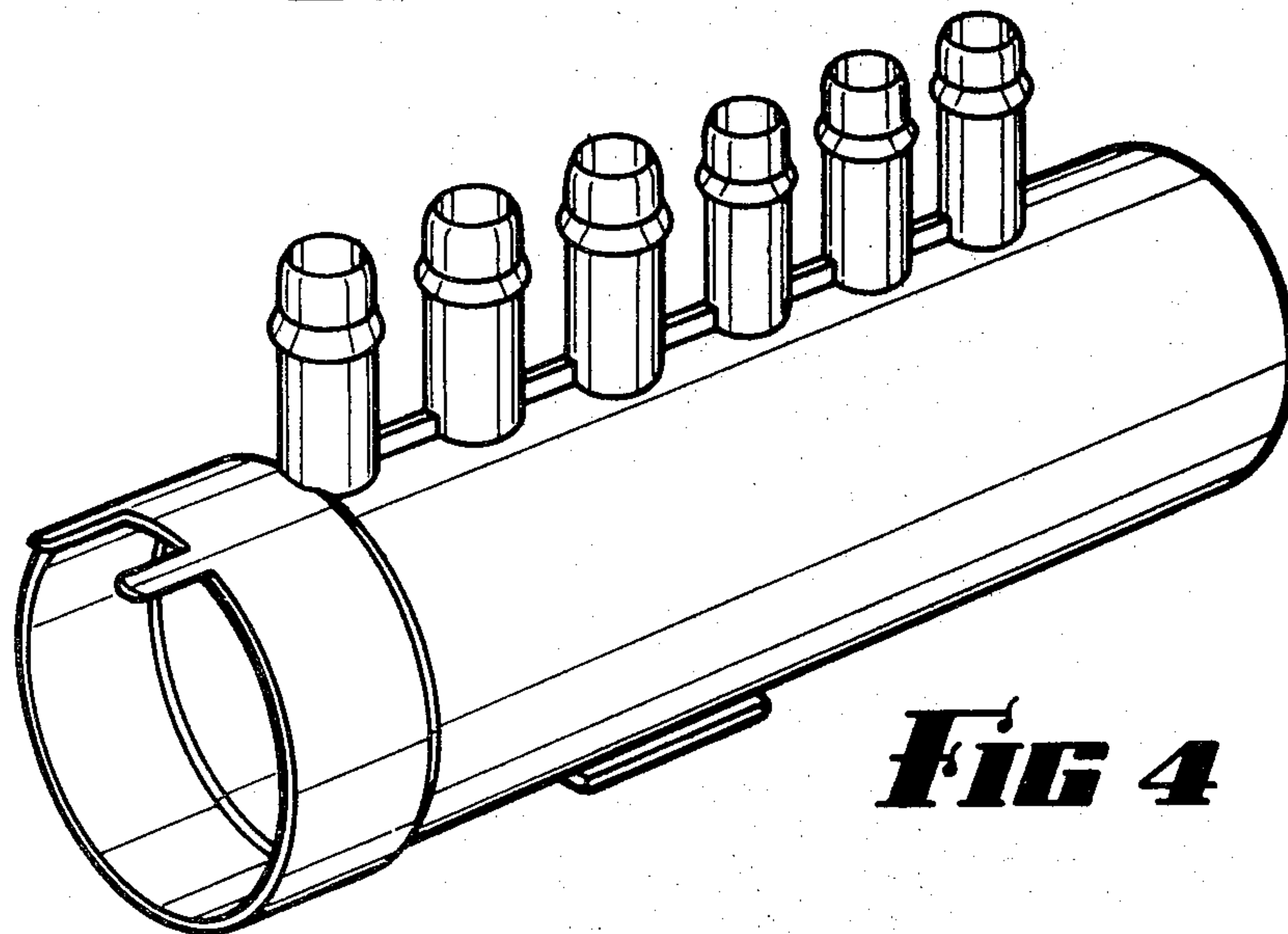


FIG 4