

[54] **HOLDER FOR MULTIPLE PADS OF NOTEPAPER**

[75] **Inventor:** Walter C. Pearson, St. Paul, Minn.

[73] **Assignee:** Minnesota Mining and Manufacturing Company, St. Paul, Minn.

[*] **Notice:** The portion of the term of this patent subsequent to Sep. 27, 1997 has been disclaimed.

[**] **Term:** 14 Years

[21] **Appl. No.:** 289,774

[22] **Filed:** Aug. 3, 1981

[52] **U.S. Cl.** D19/91; D19/22; D19/23; D19/76; D19/78; D19/86; D19/92

[58] **Field of Search** D19/20-25, D19/76-86, 91, 92; 40/371

[56]

References Cited

U.S. PATENT DOCUMENTS

D. 188,831	9/1960	Olson	D19/22
D. 206,698	1/1967	Edwards	D19/84
D. 209,882	1/1968	Andersen	D19/78
D. 226,288	2/1973	Greif	D19/76
D. 240,420	7/1976	Hegemann	D19/76
D. 250,437	12/1978	Korpijaakko et al.	D19/75

Primary Examiner—George P. Word
Attorney, Agent, or Firm—Donald M. Sell; James A. Smith; John C. Barnes

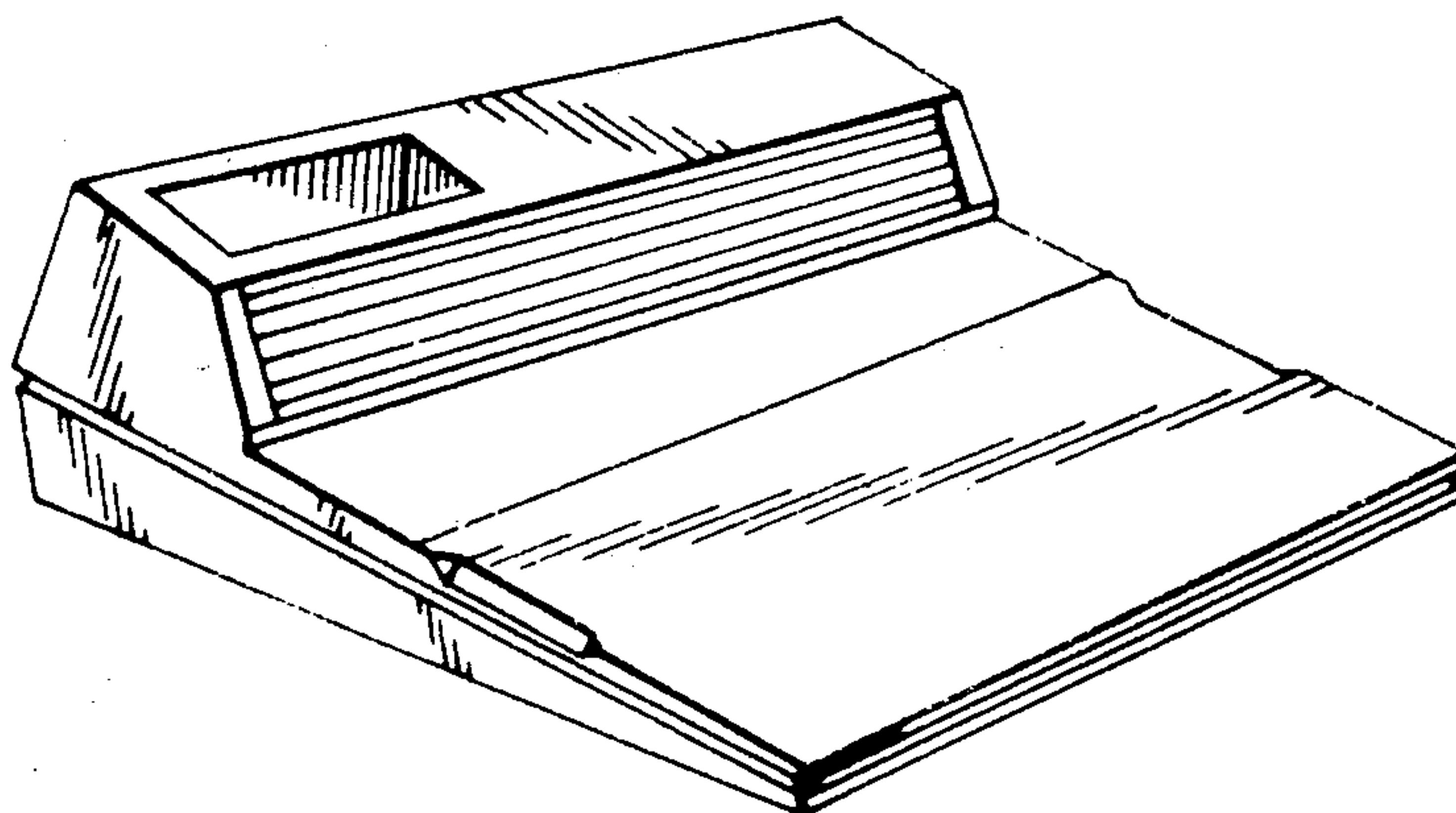
[57]

CLAIM

The ornamental design for a holder for multiple pads of notepaper, substantially as shown.

DESCRIPTION

FIG. 1 is a perspective view of a holder for multiple pads of notepaper showing my new design;
FIG. 2 is a top plan view thereof;
FIG. 3 is a right side elevational view, the left side being a mirror image thereof;
FIG. 4 is a front elevational view thereof;
FIG. 5 is a rear elevational view thereof; and
FIG. 6 is a bottom plan view thereof.



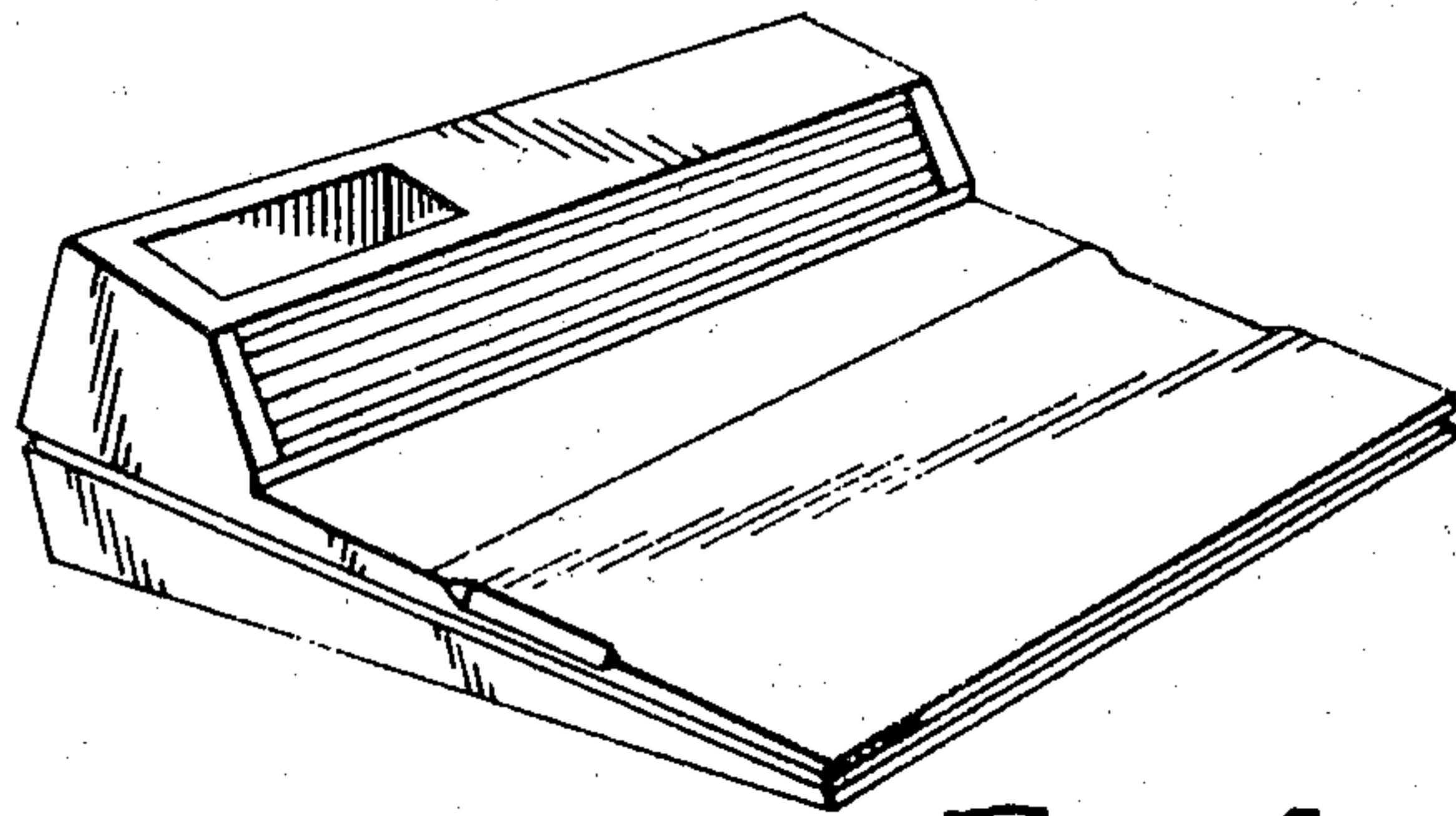


FIG. 1

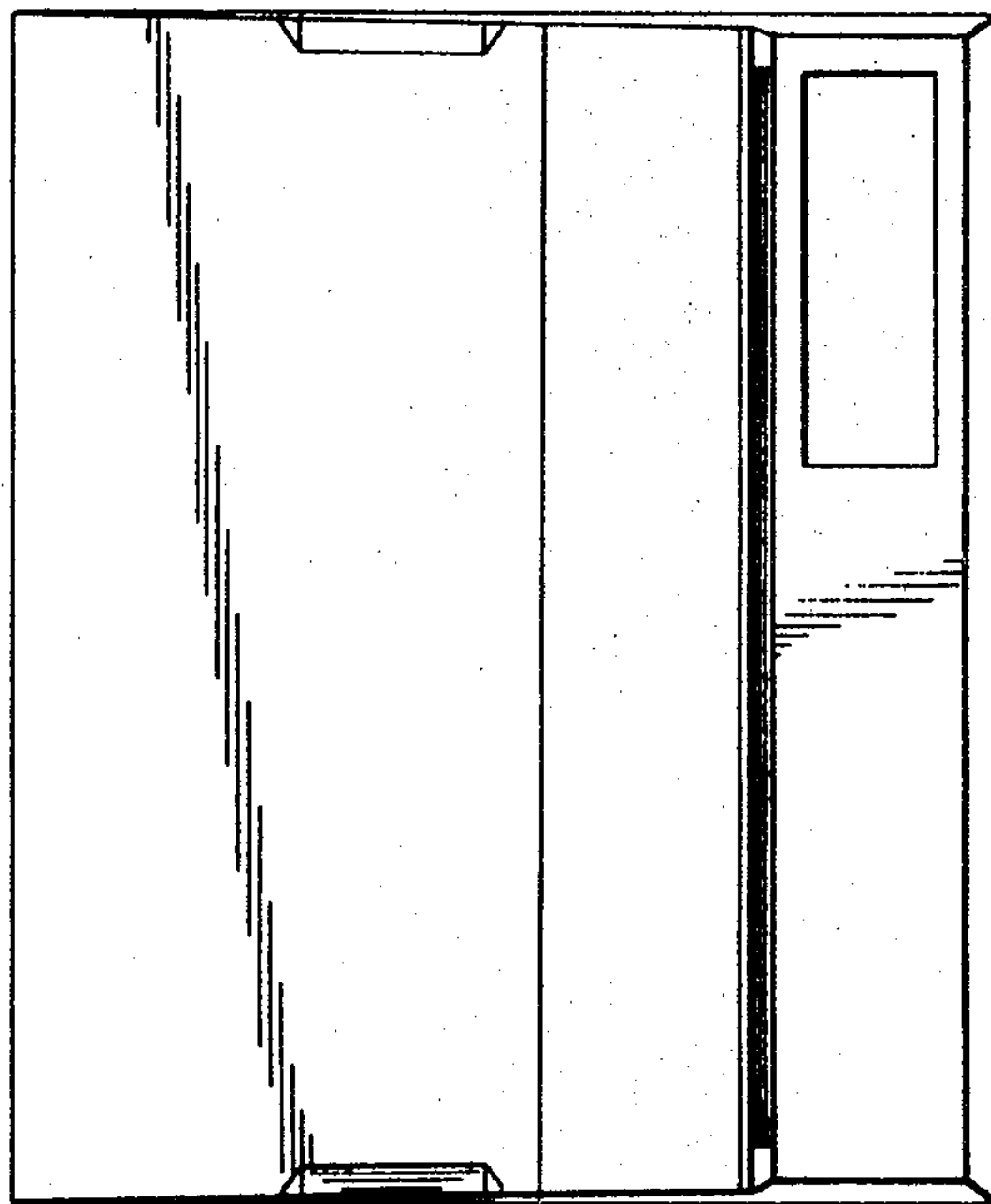


FIG. 2

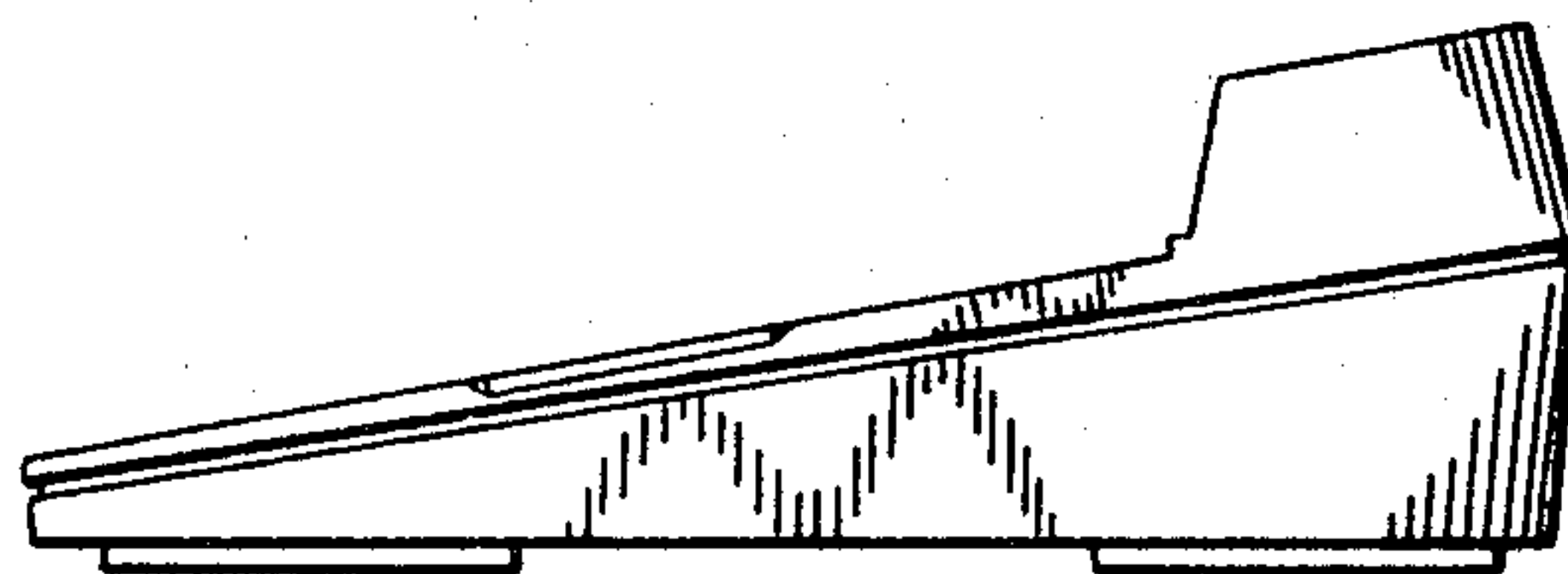


FIG. 3

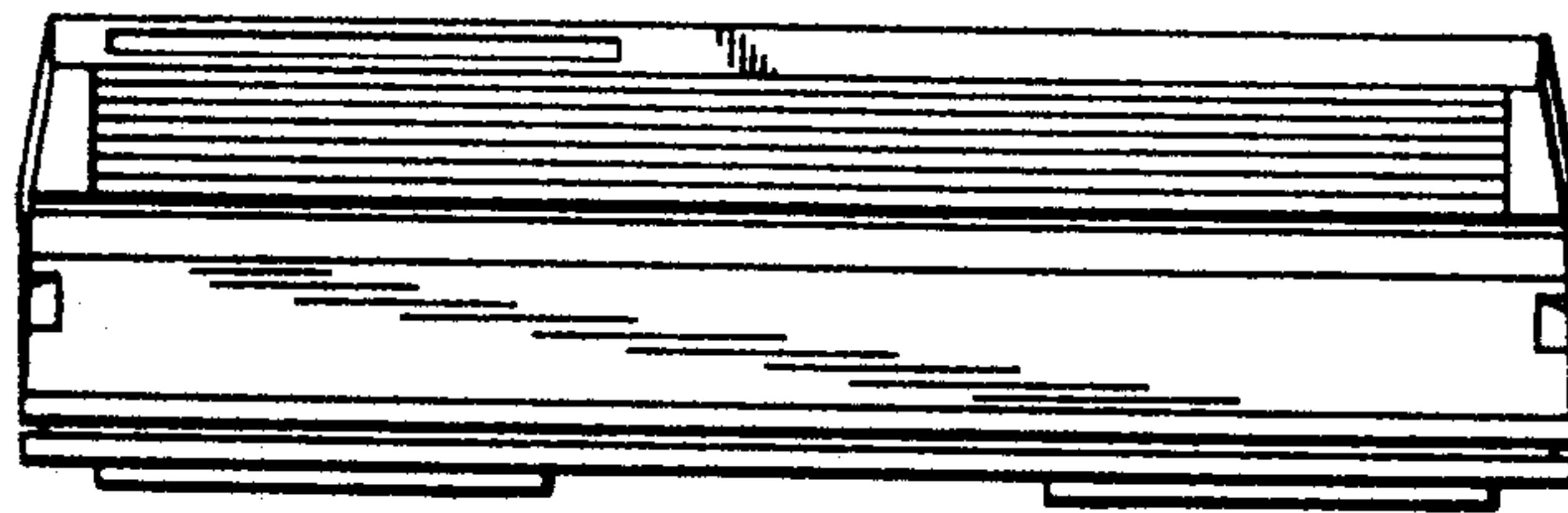


FIG. 4

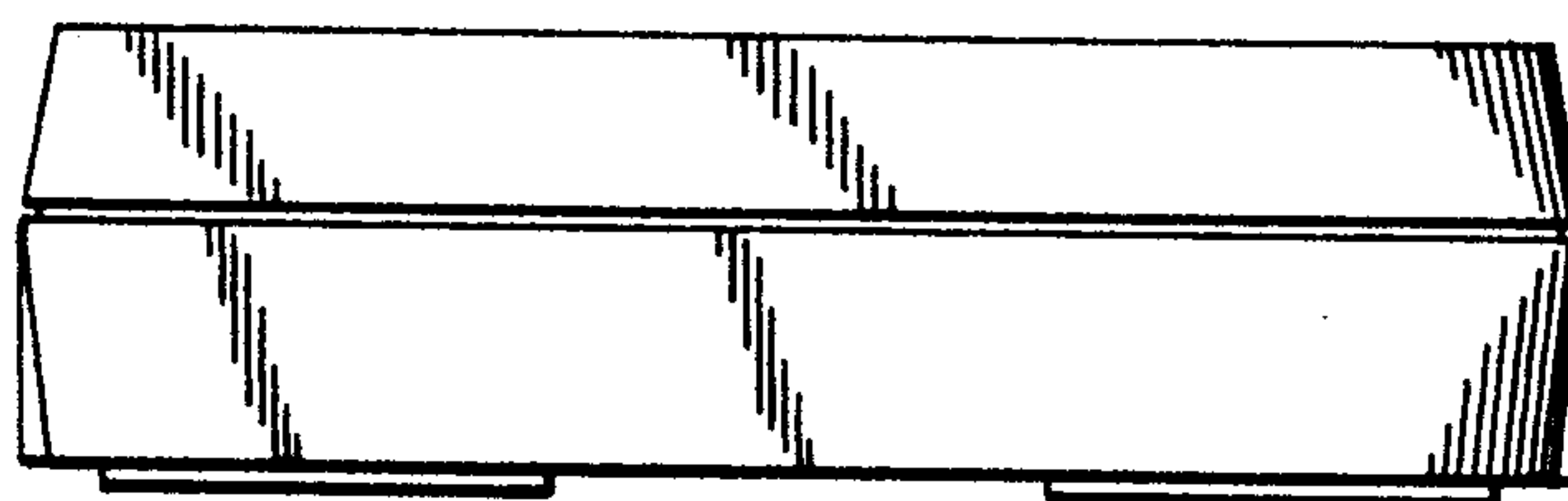


FIG. 5

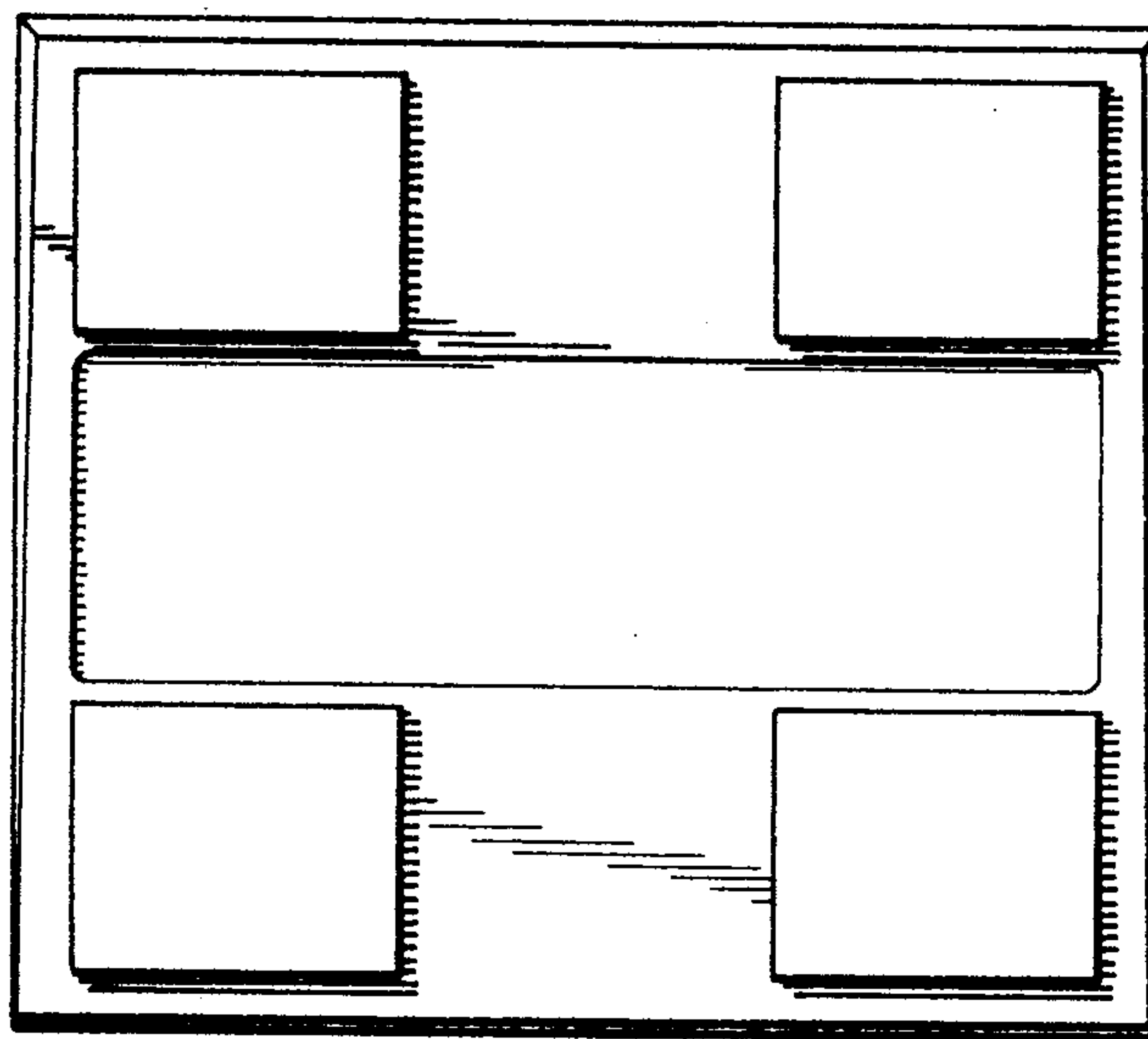


FIG. 6