

[54] FUEL DISPENSER

[75] Inventors: Glenn W. Monigle, Golden; David W. Roecker, Denver, both of Colo.

[73] Assignee: Dresser Industries, Inc., Dallas, Tex.

[**] Term: 14 Years

[21] Appl. No.: 365,839

[22] Filed: Apr. 5, 1982

Related U.S. Application Data

[62] Division of Ser. No. 118,376, Feb. 4, 1980, Pat. No. 266,673.

[52] U.S. Cl. D15/9.1

[58] Field of Search D15/9.1, 9.2, 9.3; 194/3, 13; 222/23-28, 32-36, 74-76, 173-176, 183-184, 523, 530, 538

[56] References Cited

U.S. PATENT DOCUMENTS

D. 232,969	9/1974	Breger	D15/9.1
D. 237,822	11/1975	Gray	D15/9.2
D. 238,895	2/1976	Albright	D15/9.2
D. 258,437	3/1981	Gray	D15/9.1
D. 258,439	3/1981	Gray	D15/9.2
D. 262,971	2/1982	Robinson	D15/9.2
D. 264,471	5/1982	Rowan	D15/9.2
D. 265,092	6/1982	Robinson	D15/9.2
D. 266,673	10/1982	Monigle	D15/9.1
3,175,730	3/1965	Dekker	222/32 X
3,199,727	8/1965	Romanowski	222/26

OTHER PUBLICATIONS

National Petroleum News-8/61-p. 18-Fuel Pumps.

Primary Examiner—Nelson C. Holtje
Attorney, Agent, or Firm—Daniel Rubin

[57] CLAIM

The ornamental design for a fuel dispenser, as shown and described.

DESCRIPTION

FIG. 1 is a front elevational view of a fuel dispenser showing our new design, the rear being substantially plain and unornamented;

FIG. 2 is a top plan view thereof, portions of the hose being shown in broken lines for ease of illustration;

FIG. 3 is a right side elevational view thereof;

FIG. 4 is a left side elevational view thereof;

FIG. 5 is a front elevational view of another embodiment of our new design of FIGS. 1-4 wherein the rear view is identical thereto;

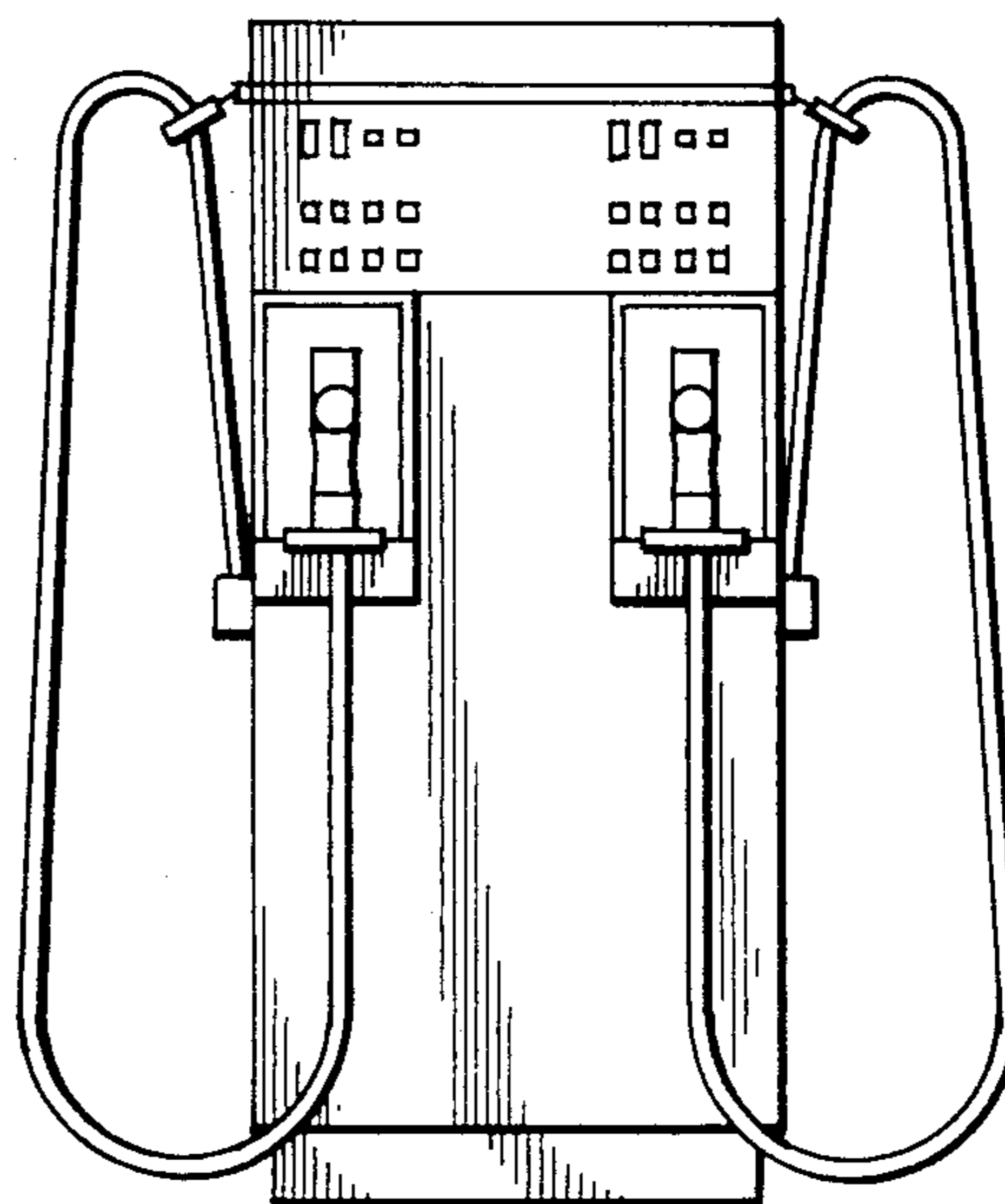
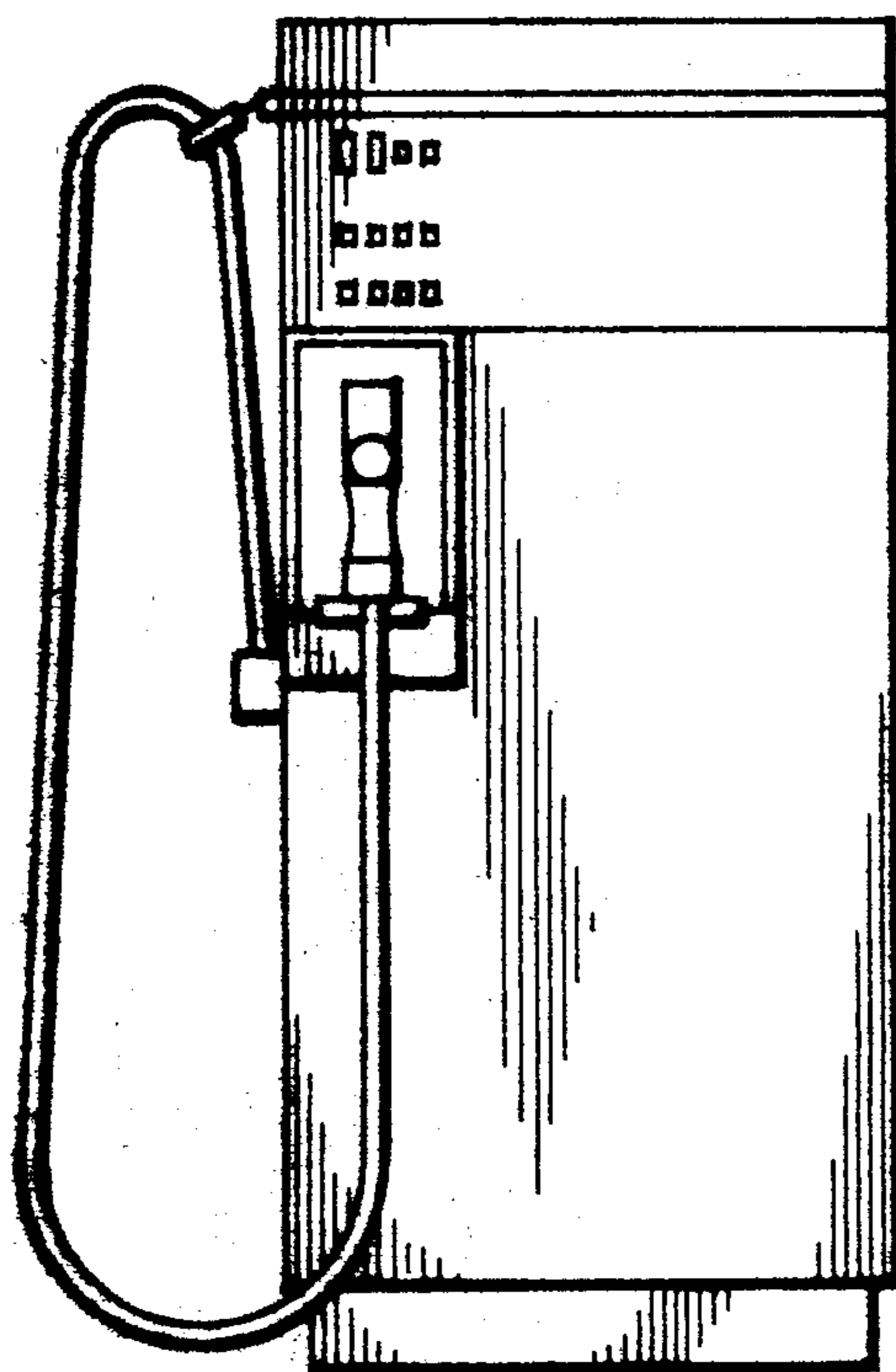
FIG. 6 is a top plan view thereof, portions of the hose being shown in broken lines for ease of illustration;

FIG. 7 is a right side elevational view thereof, the left side being identical thereto;

FIG. 8 is a front elevational view of another embodiment of our new design of FIGS. 1-4, the rear being substantially plain and unornamented;

FIG. 9 is a top plan view thereof, portions of the hoses being shown in broken lines for ease of illustration;

FIG. 10 is a right side elevational view thereof, the left side being a mirror image thereto.



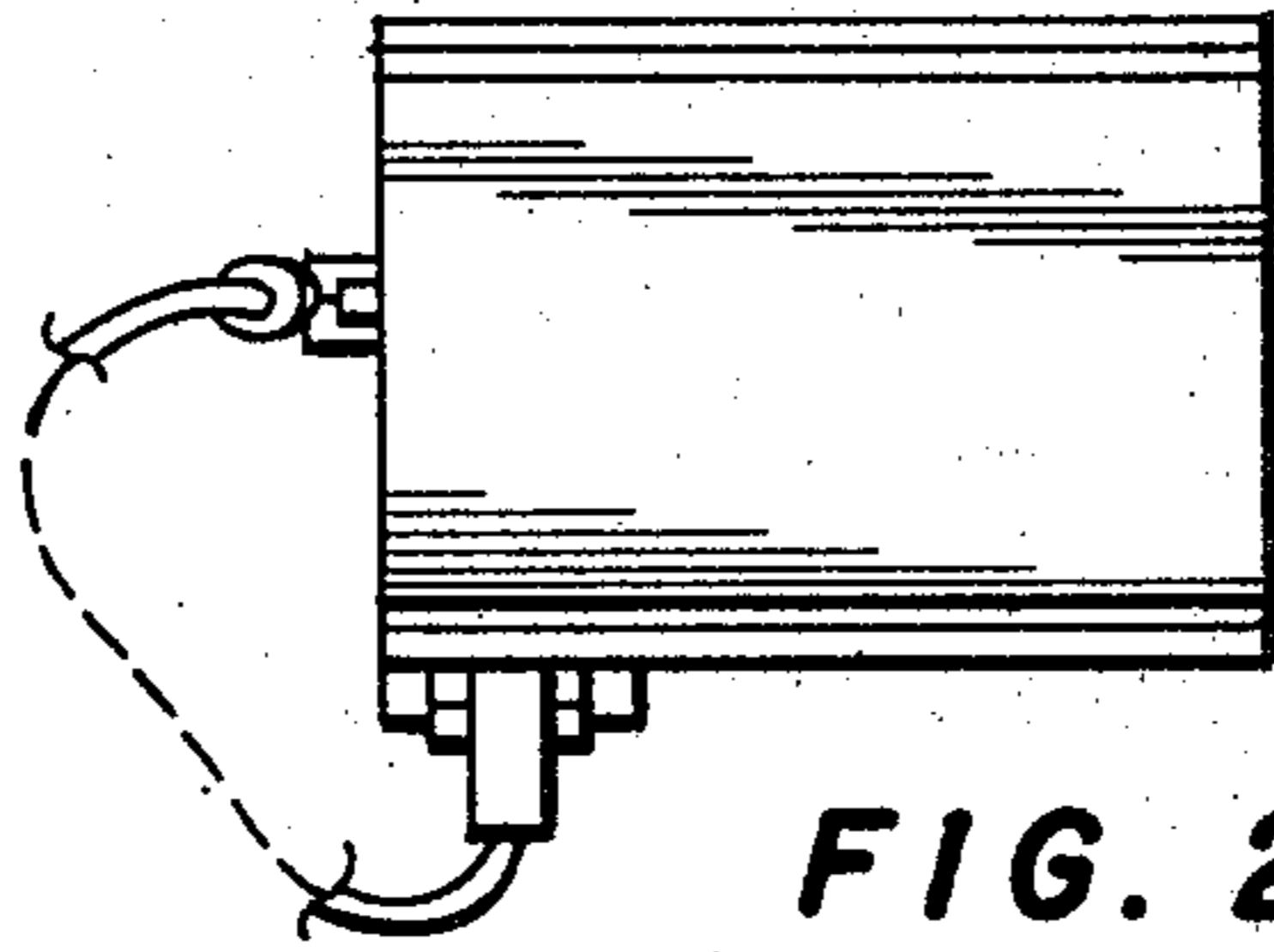


FIG. 2

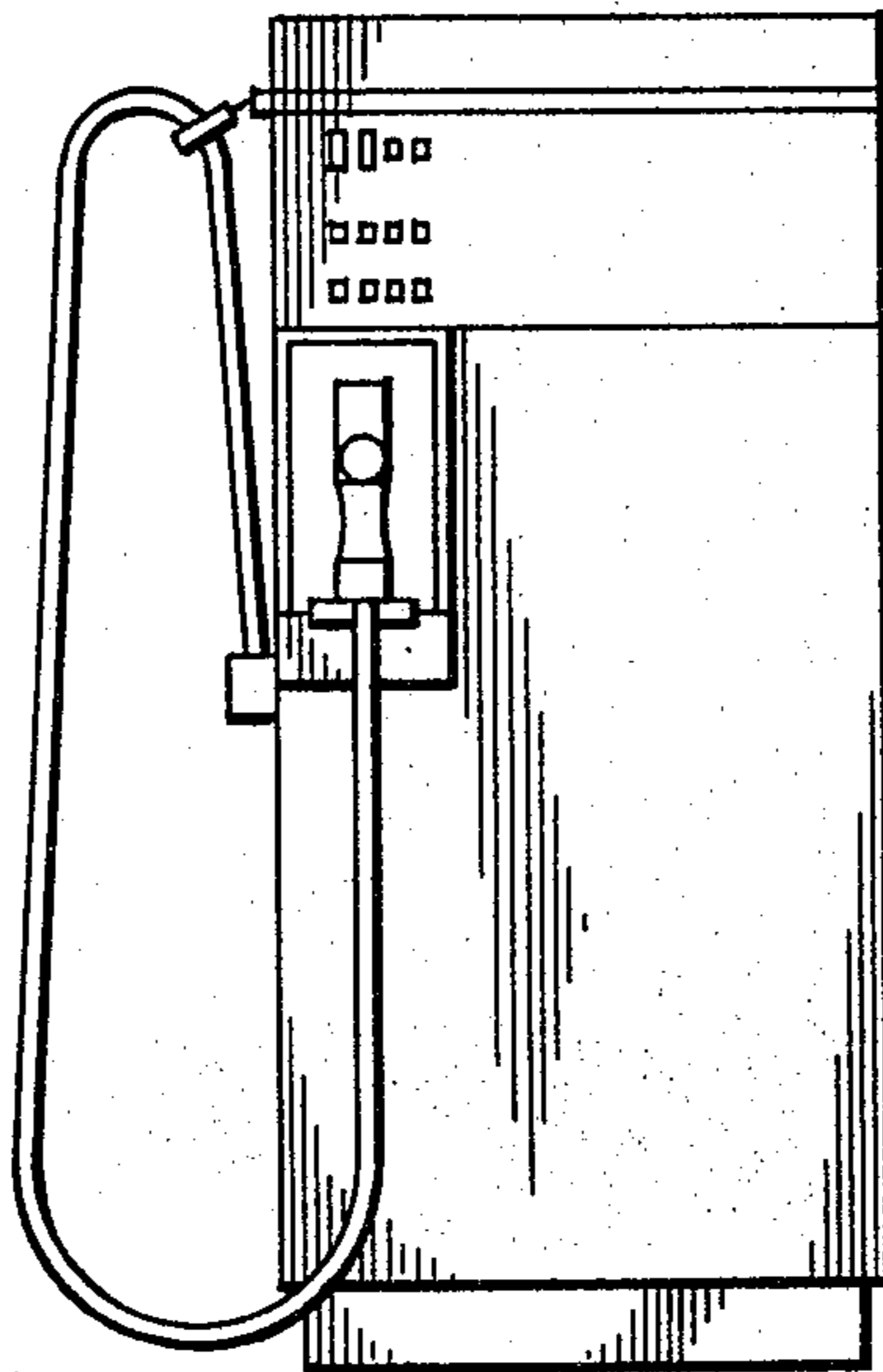


FIG. 1

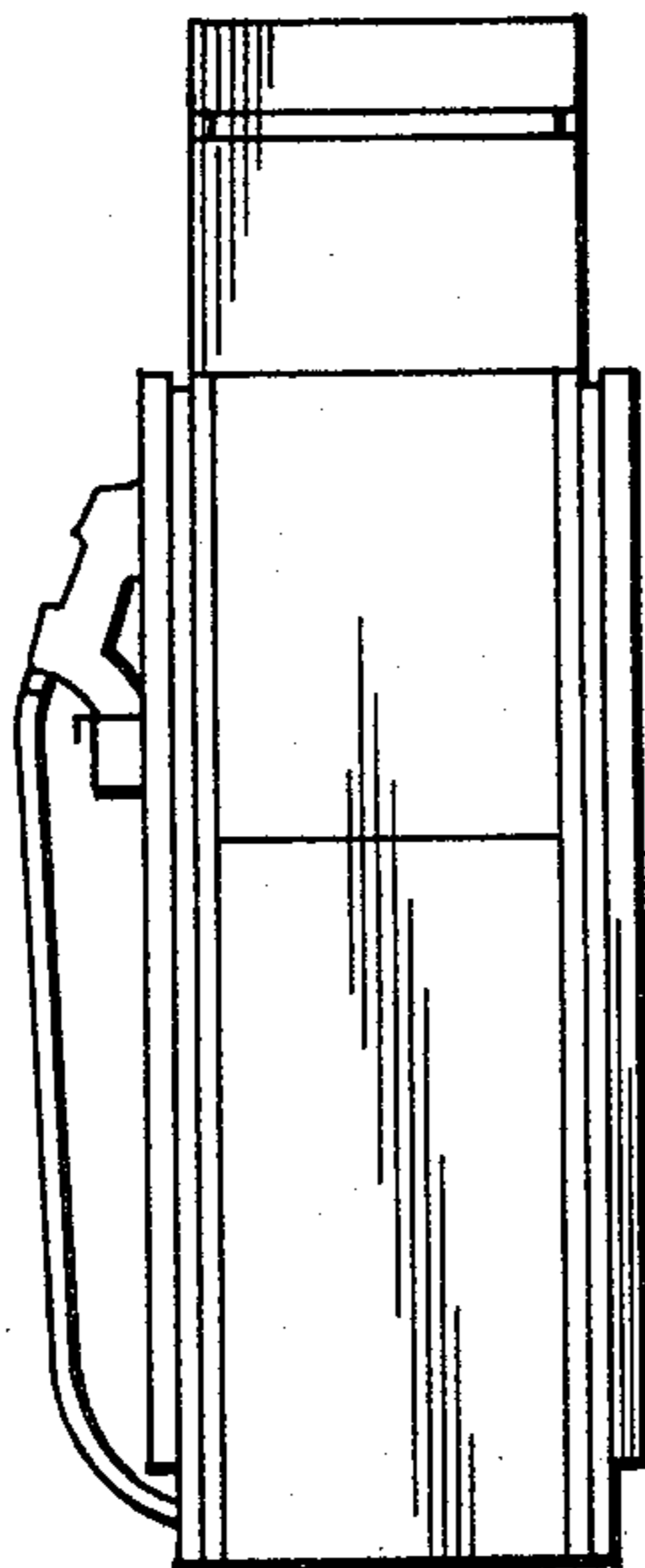


FIG. 3

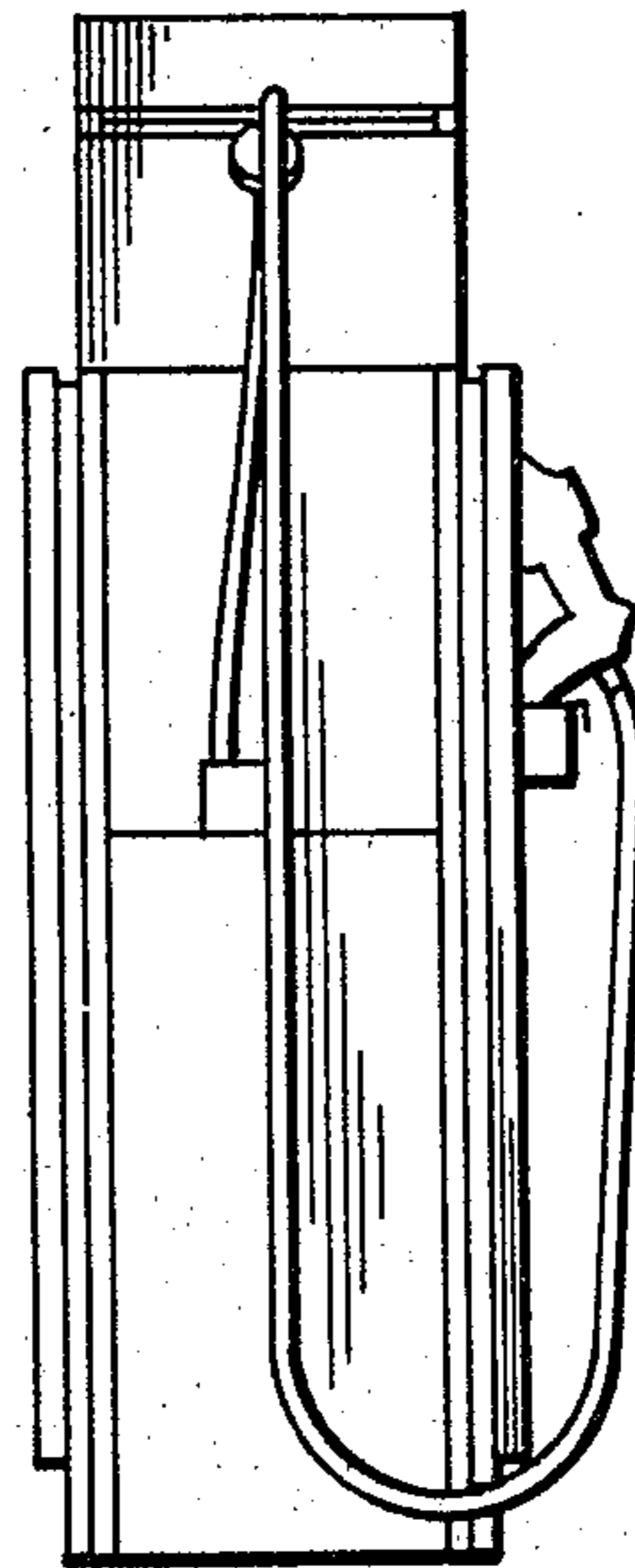


FIG. 4

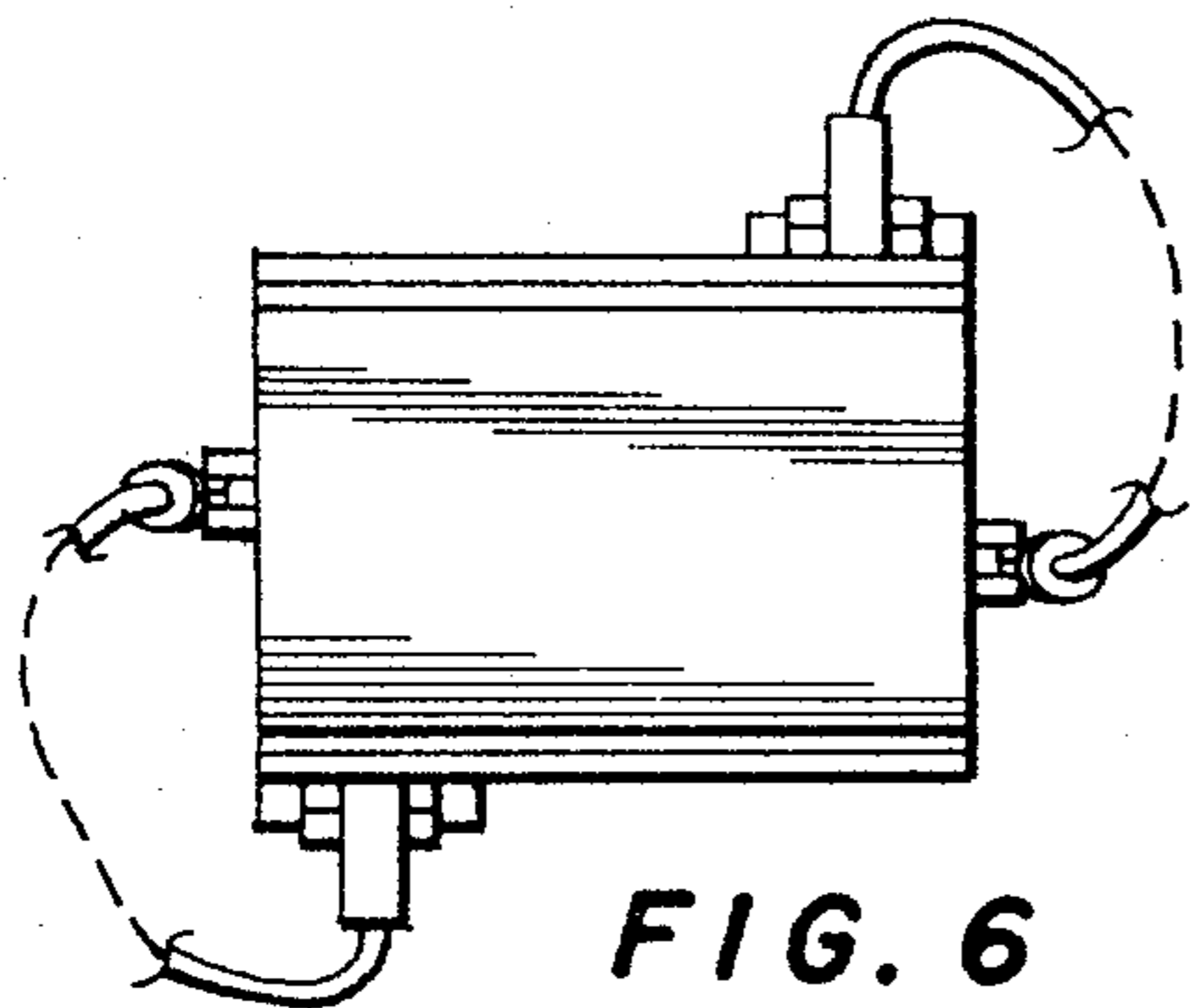


FIG. 6

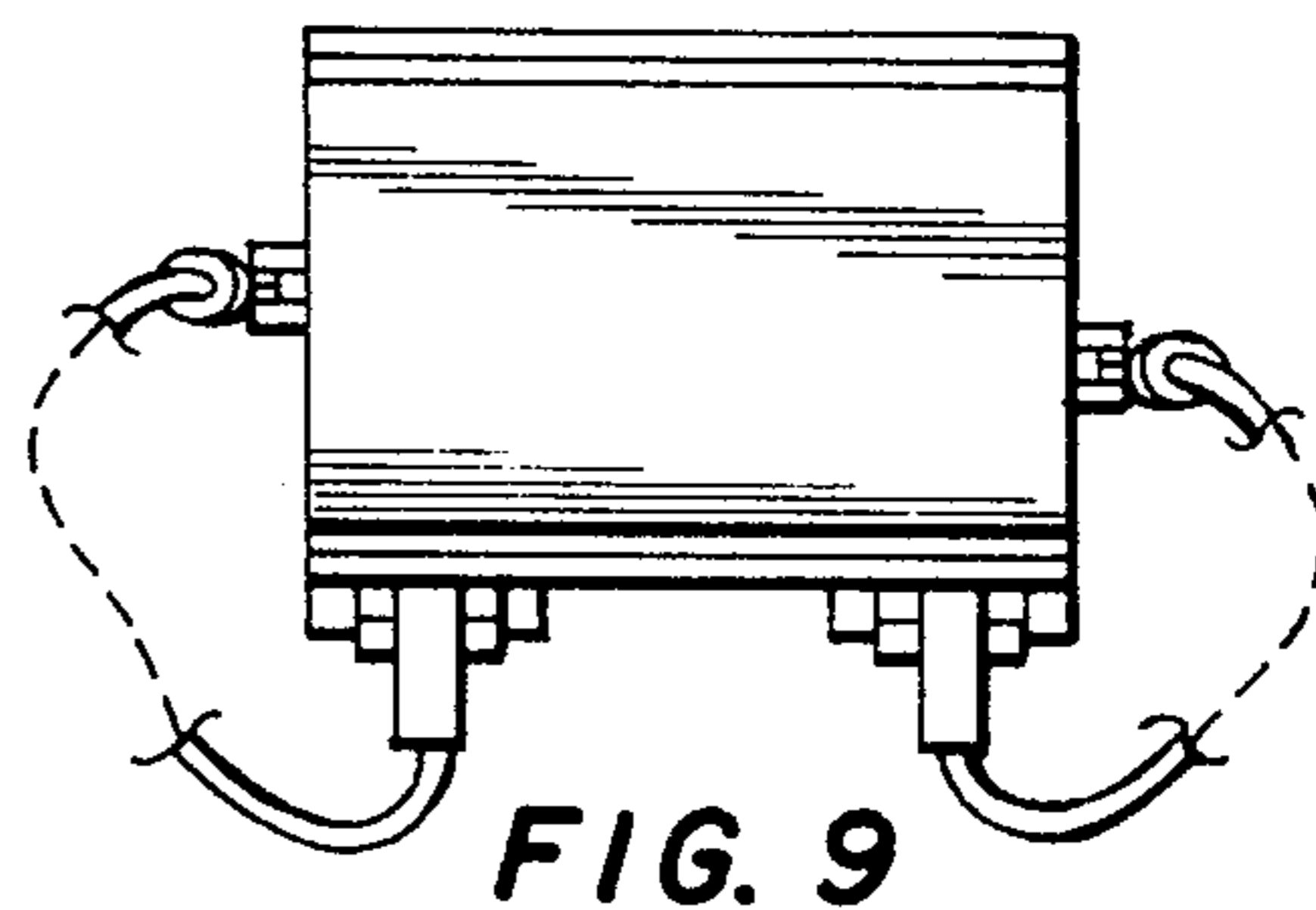


FIG. 9

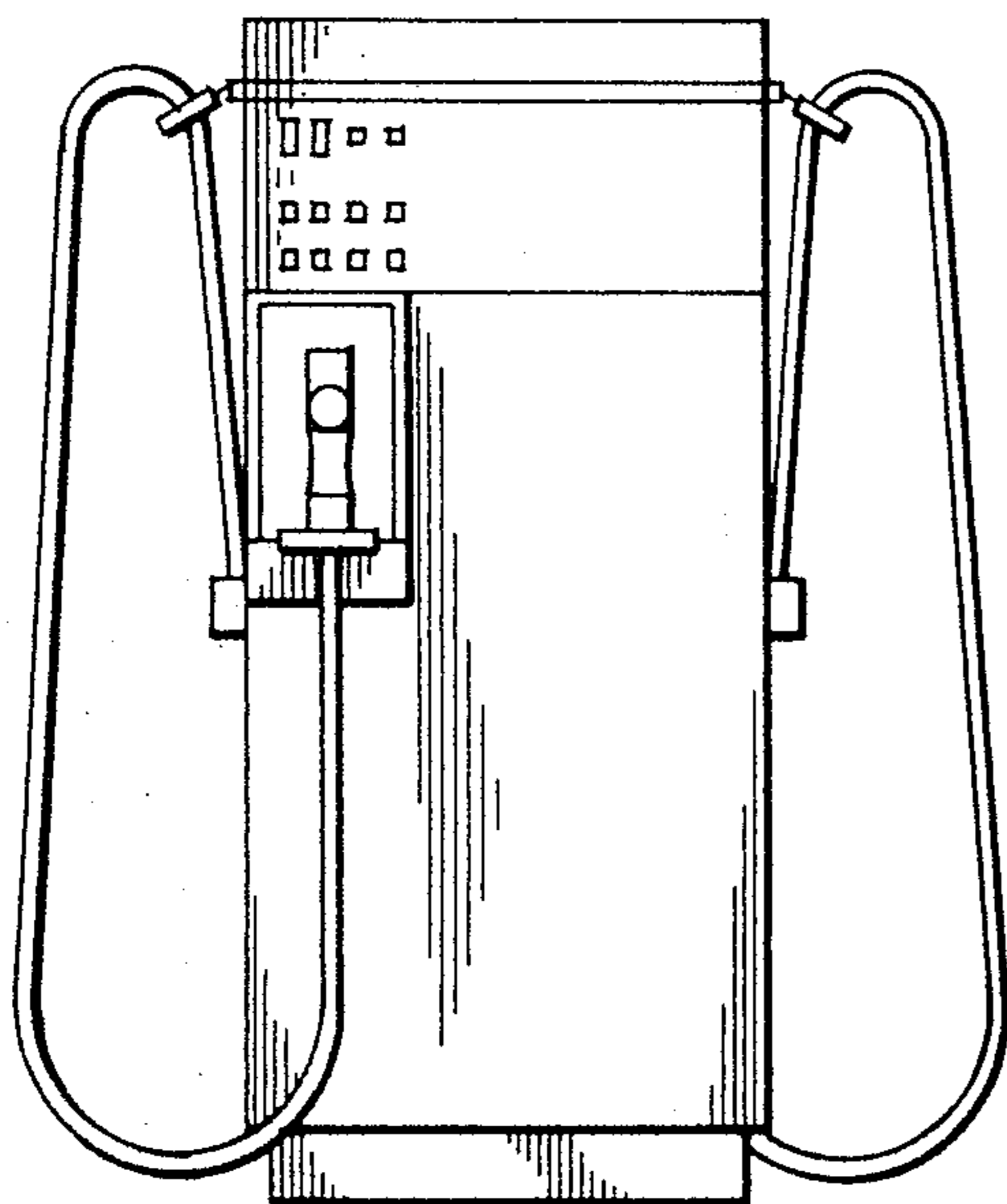


FIG. 5

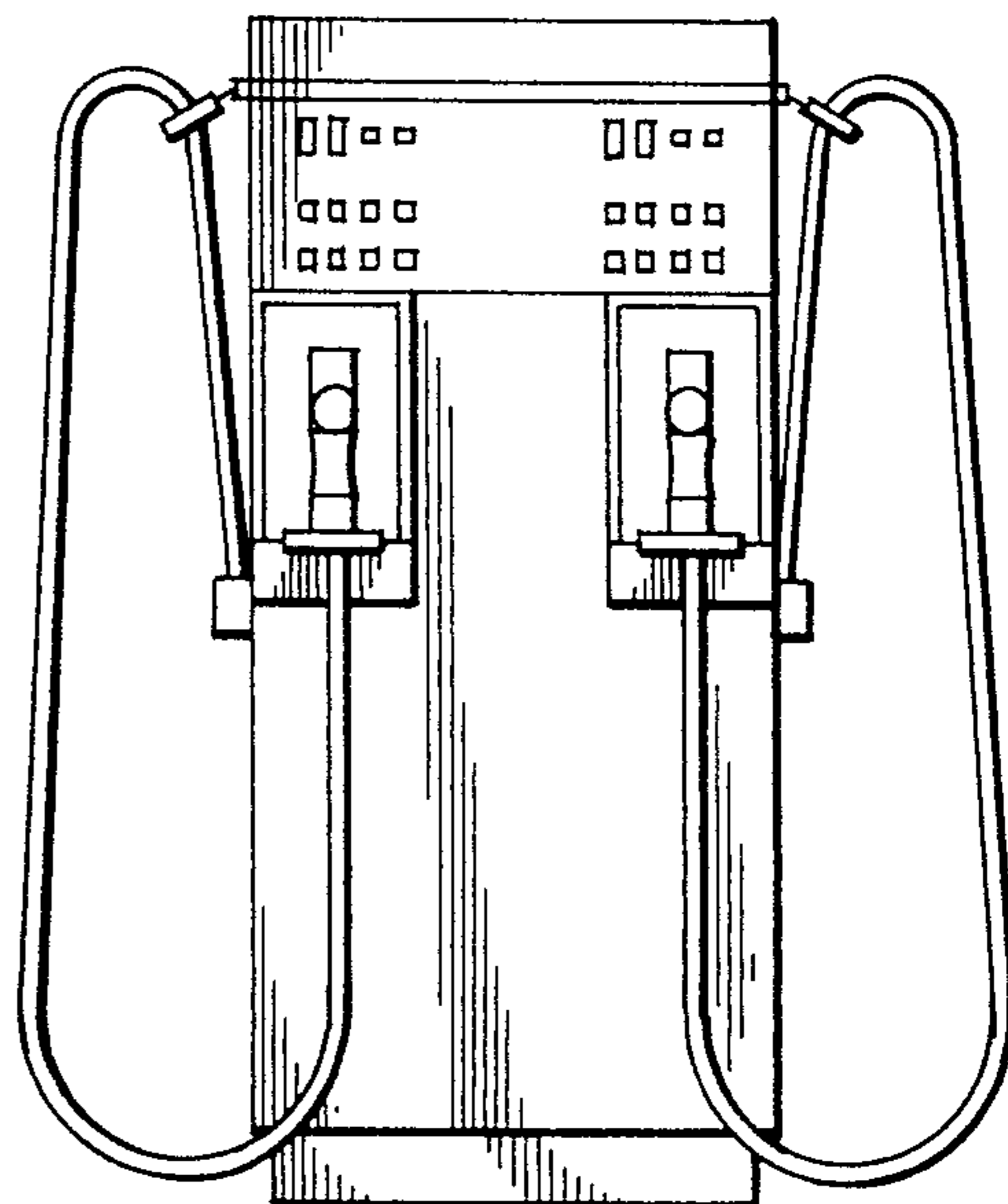


FIG. 8

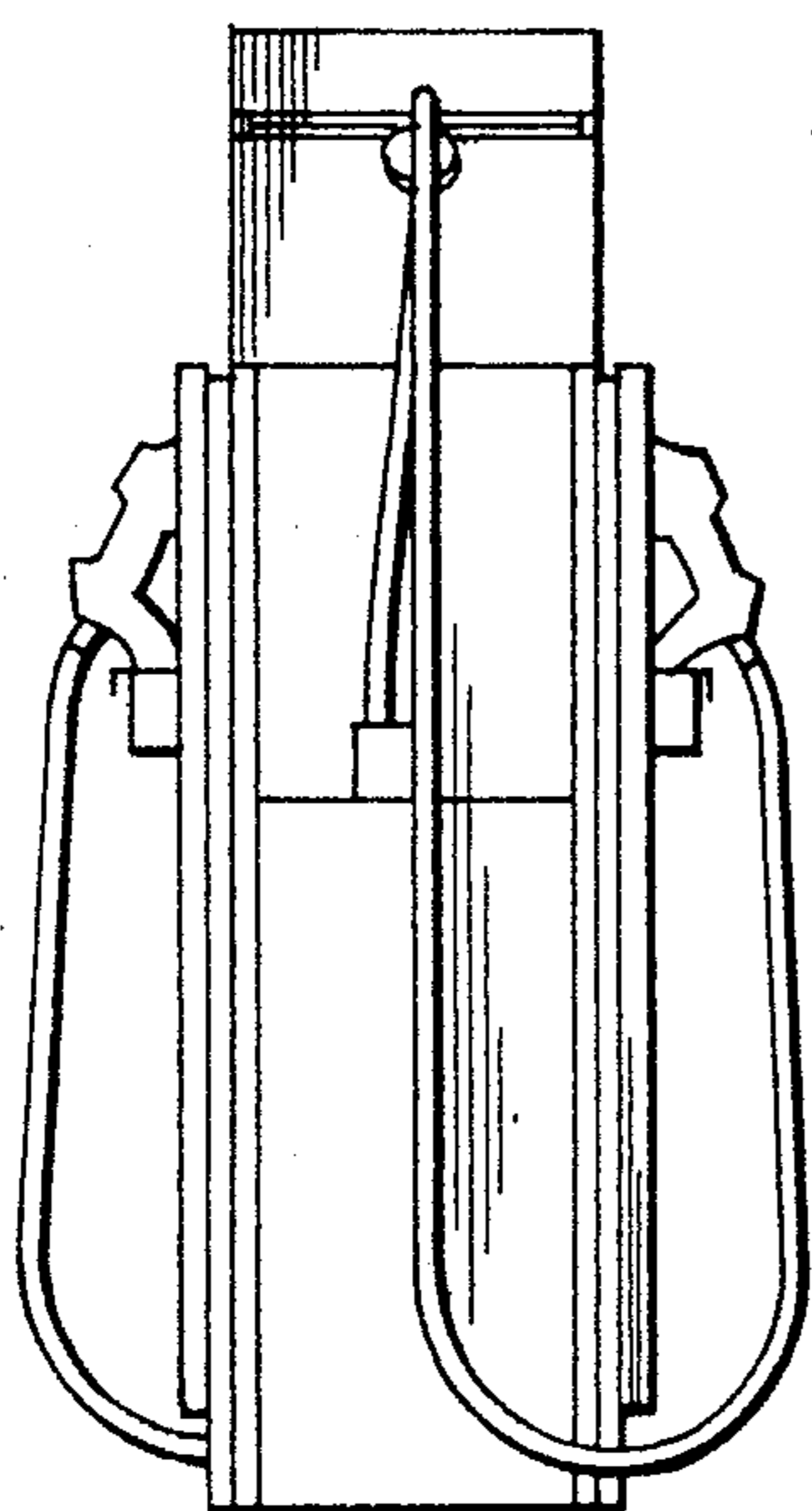


FIG. 7

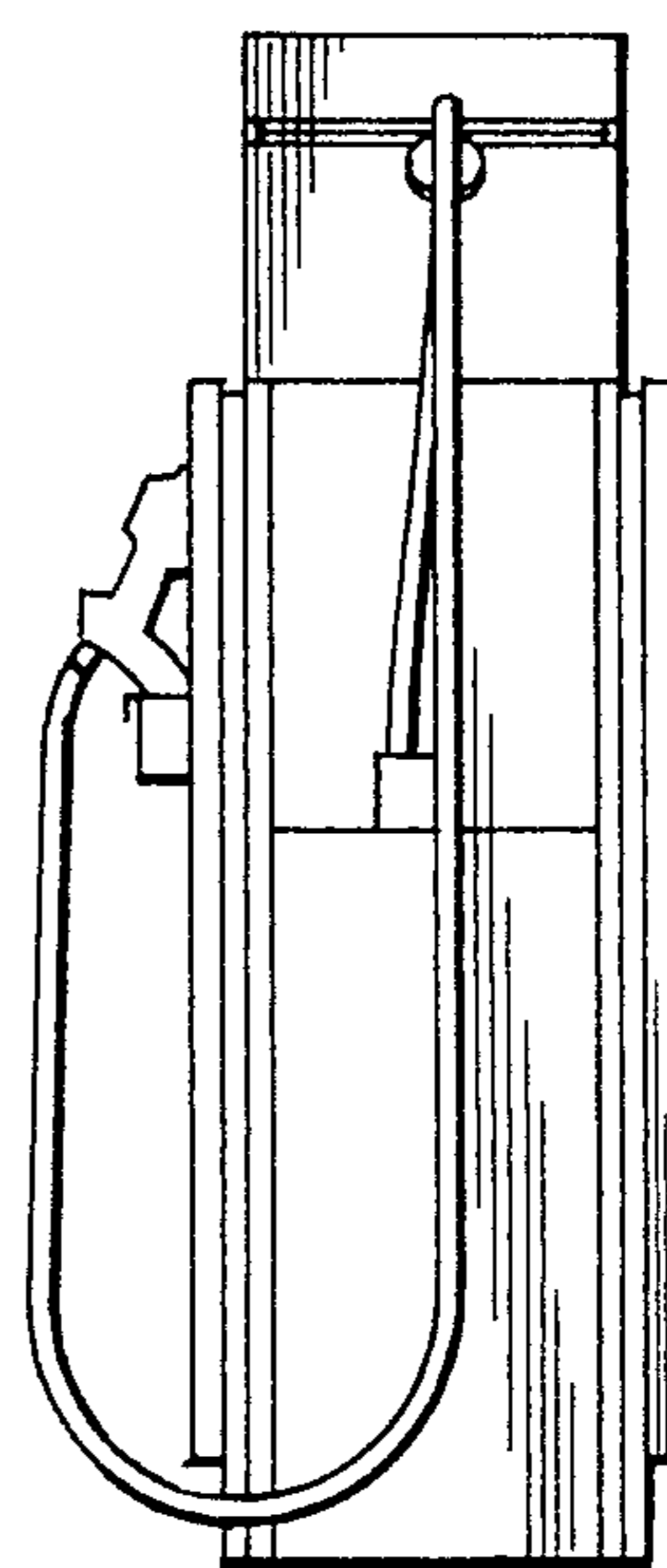


FIG. 10