

- [54] CASE FOR A KEYBOARD AND DISPLAY UNIT
- [75] Inventor: Charles M. Ault, Winchester, Mass.
- [73] Assignee: Termiflex Corporation, Nashua, N.H.
- [**] Term: 14 Years
- [21] Appl. No.: 184,227
- [22] Filed: Sep. 5, 1980
- [52] U.S. Cl. D14/114; D14/100
- [58] Field of Search D13/12, 32, 40, 41;
D14/100-117; 200/5 R, 5 A; 364/900, 708;
235/145 R; D13/6, 7, 11; 340/365 R, 365 VL,
711

- [56] **References Cited**
- U.S. PATENT DOCUMENTS
- D. 239,287 3/1976 Ault D14/100

4,005,388 1/1977 Morley et al. 340/365 R X

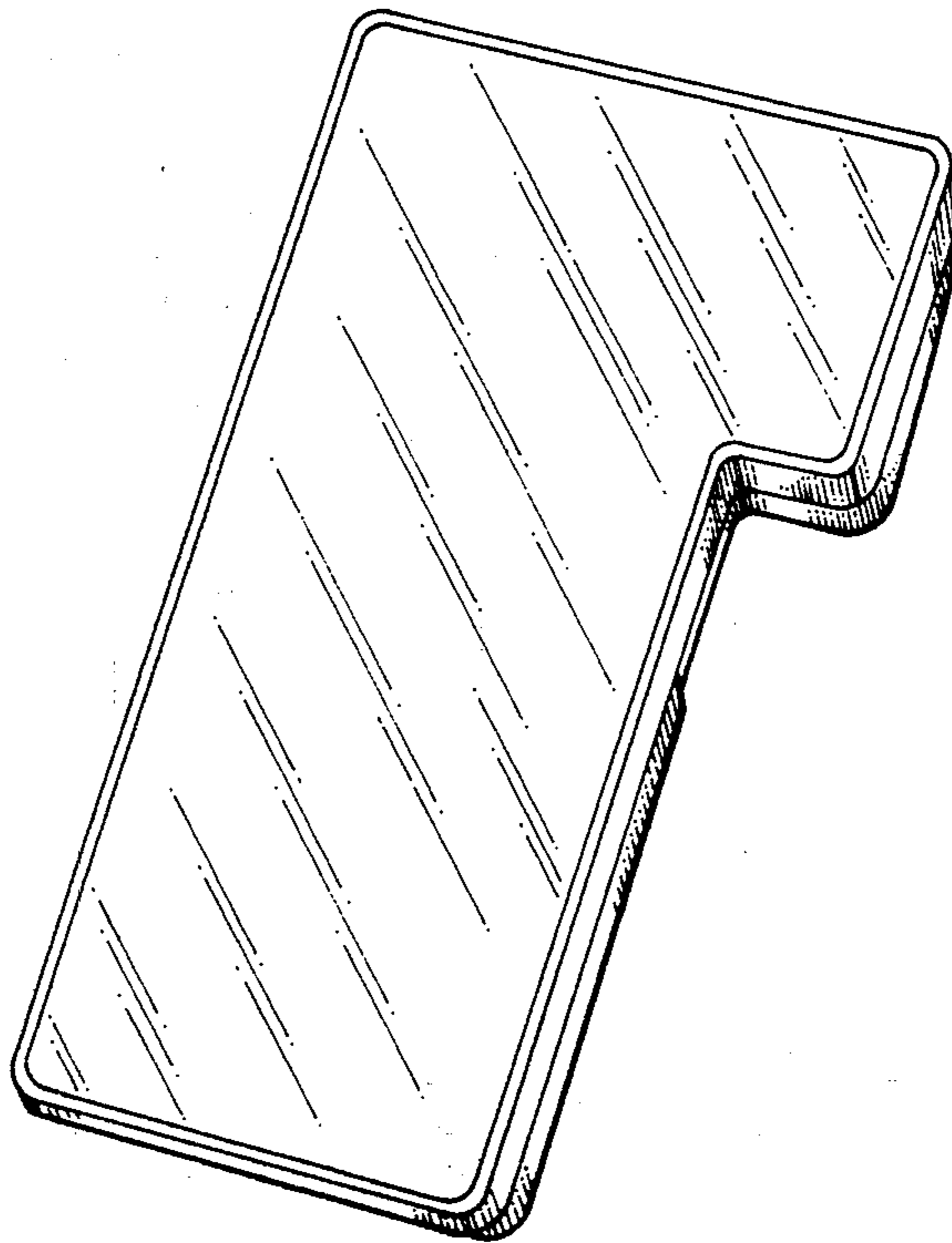
Primary Examiner—Susan J. Lucas
Attorney, Agent, or Firm—F. Eugene Davis, IV

[57] CLAIM

The ornamental design for a case for a keyboard and display unit, substantially as shown.

DESCRIPTION

FIG. 1 is a perspective view of a case for a keyboard and display unit embodying my design;
 FIG. 2 is a front view thereof;
 FIG. 3 is a right side view thereof;
 FIG. 4 is a bottom view thereof;
 FIG. 5 is a top view thereof;
 FIG. 6 is a back view thereof;
 FIG. 7 is a left side view thereof; and
 FIG. 8 is a perspective view of the back thereof; and,
 FIG. 9 is another perspective view of the back thereof.



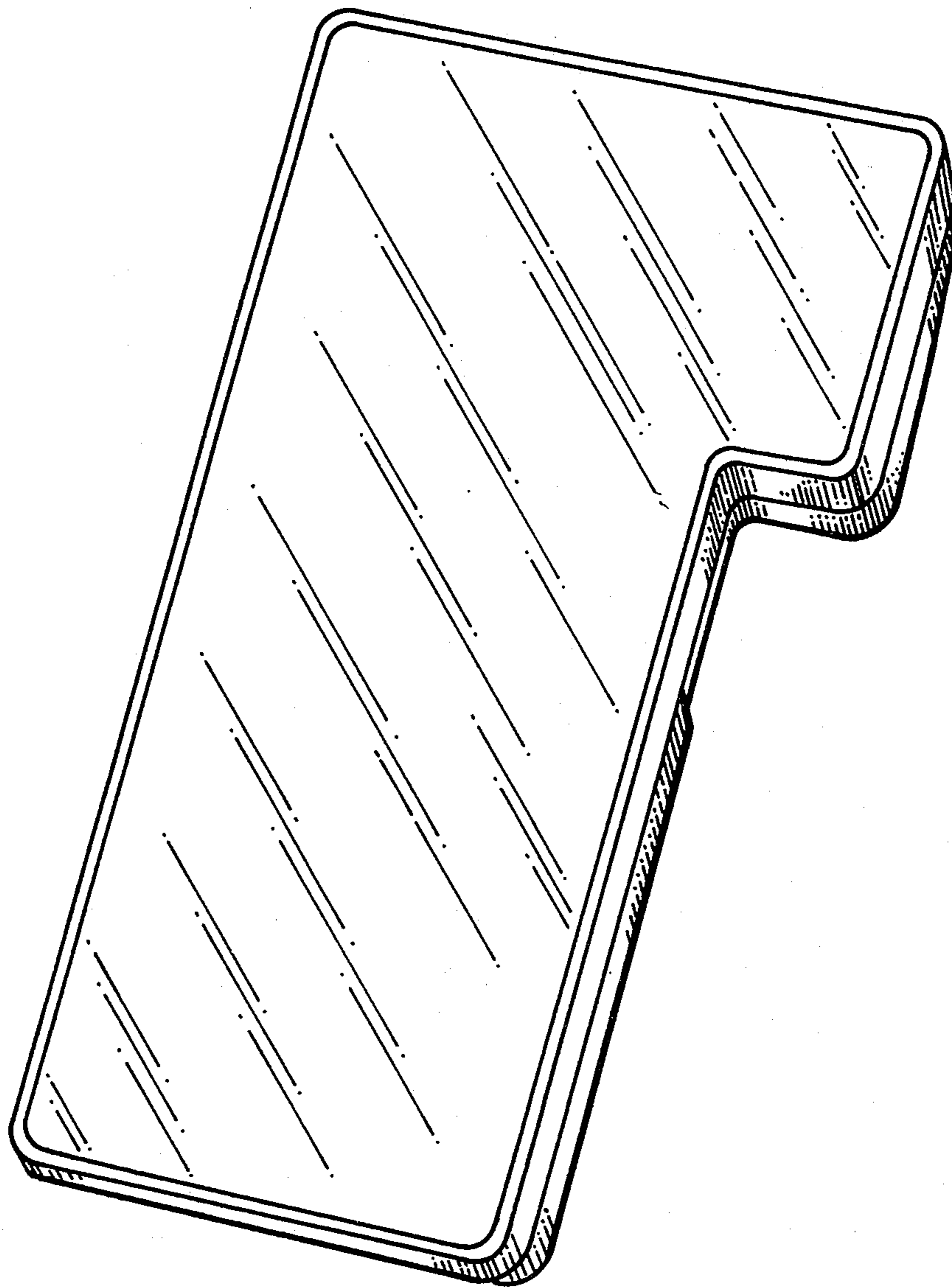


FIG. 1

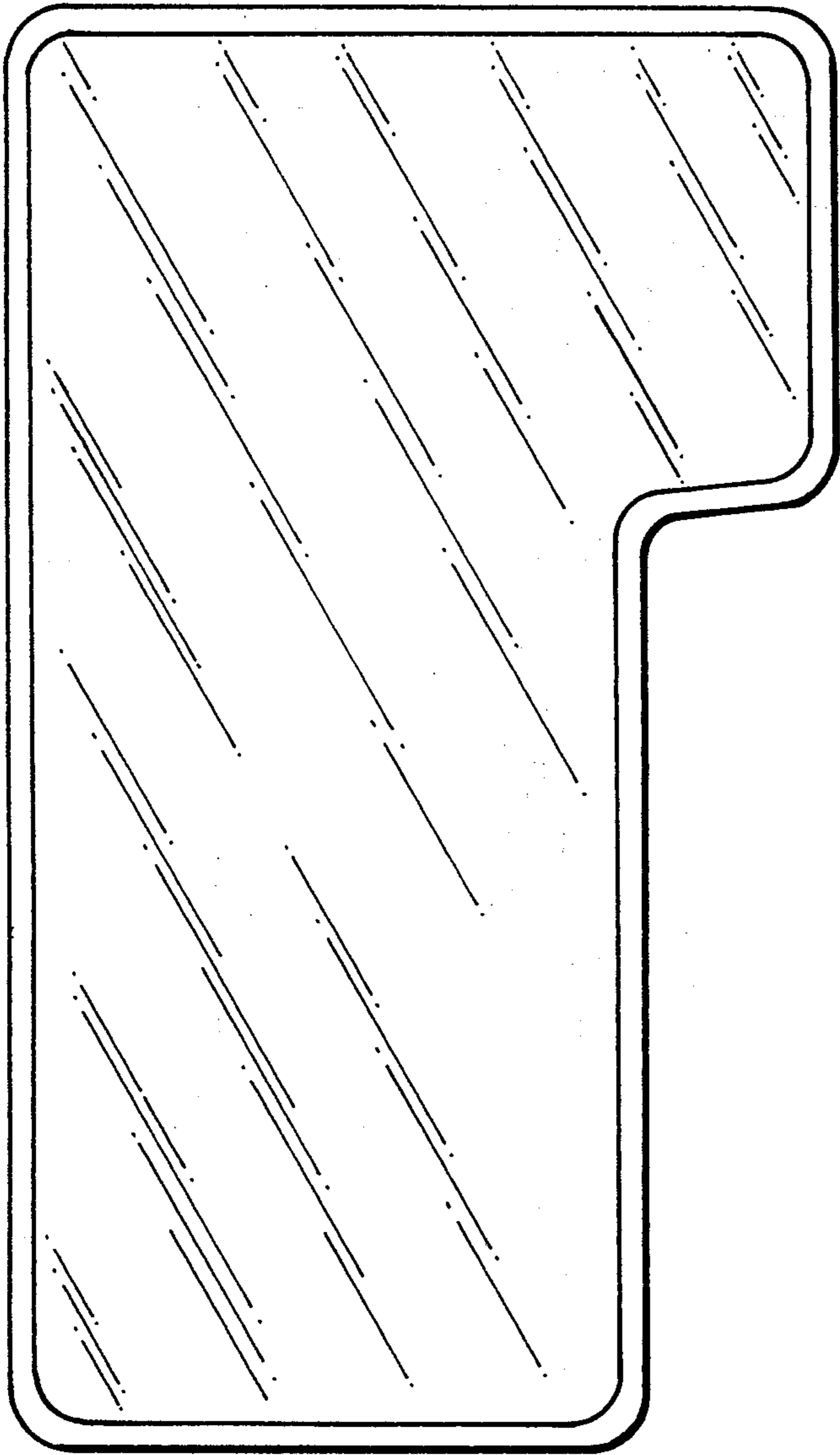


FIG. 2

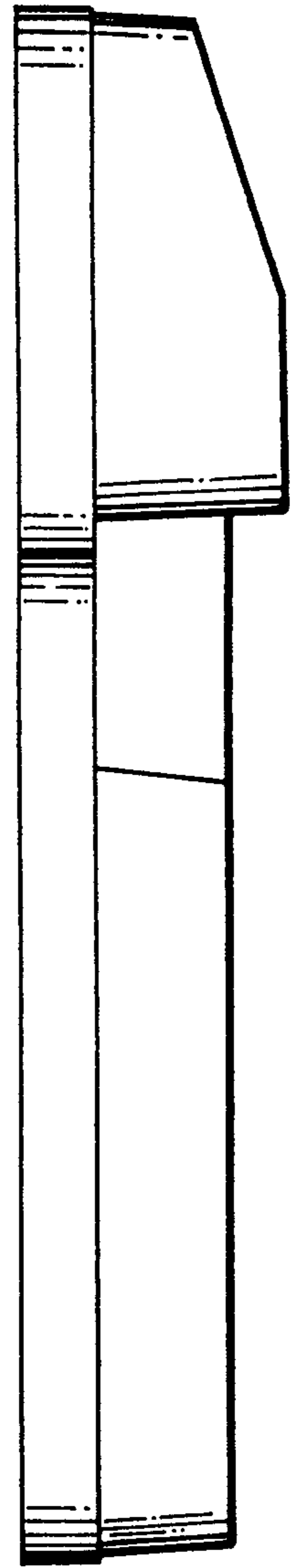


FIG. 3

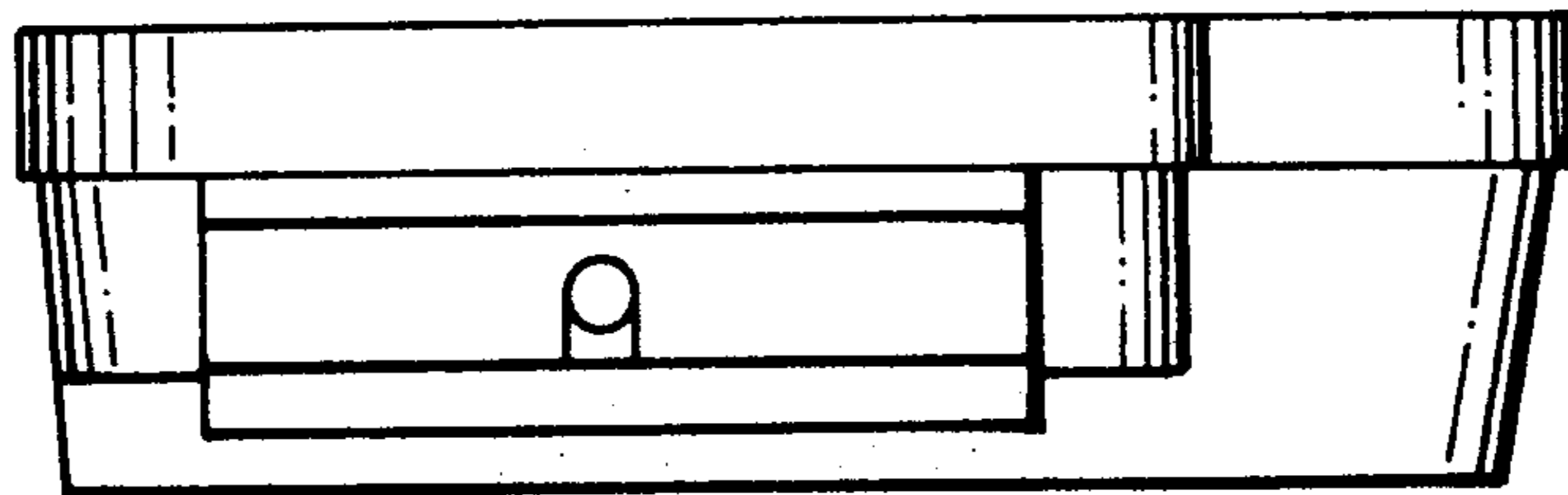


FIG. 4

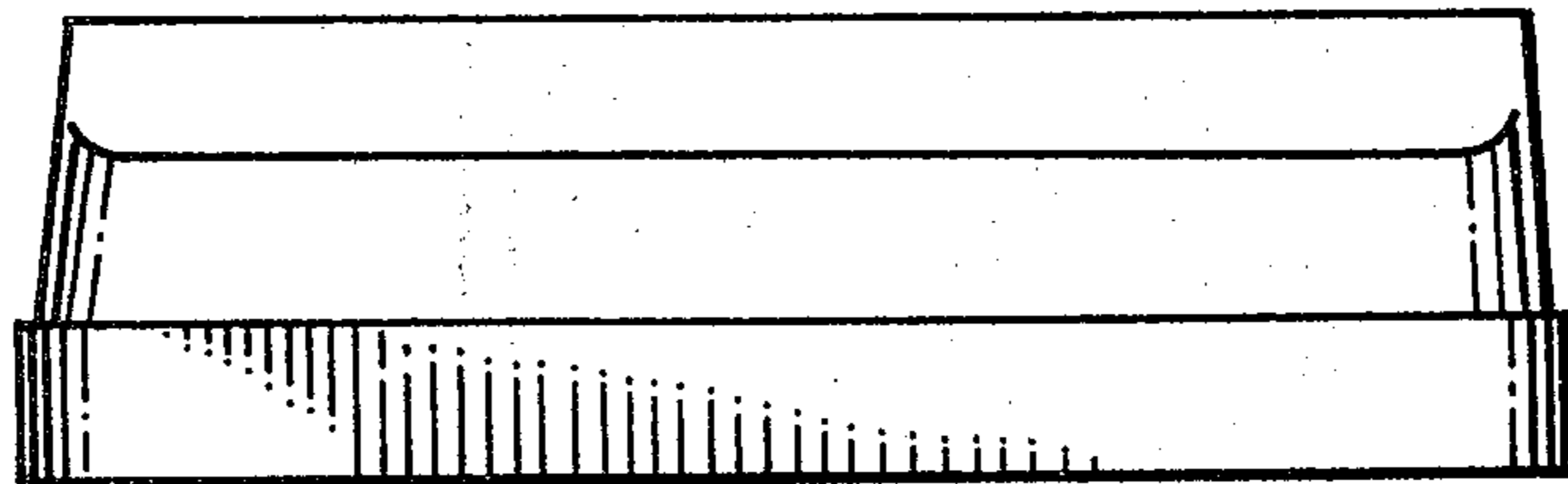


FIG. 5

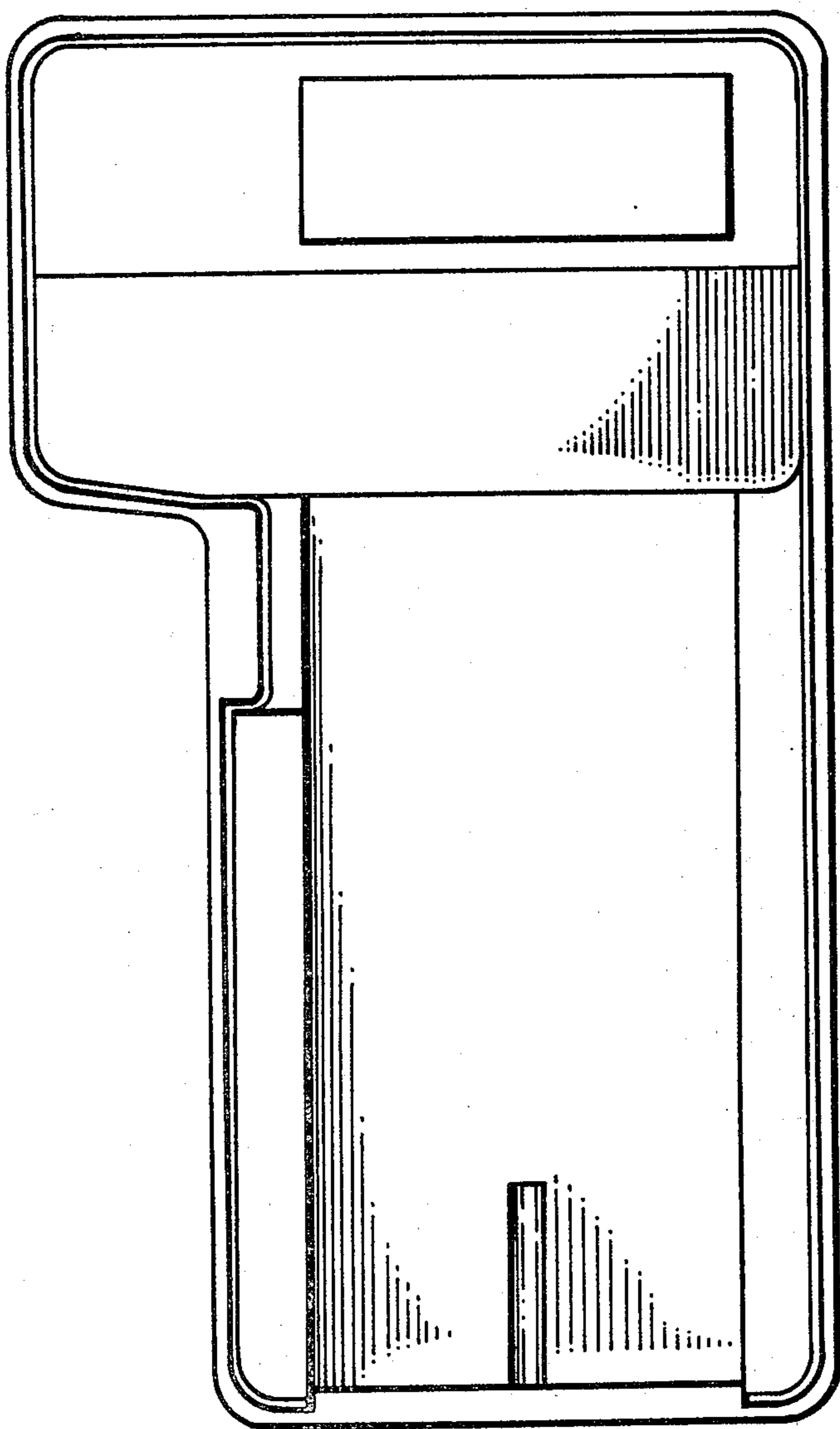


FIG. 6

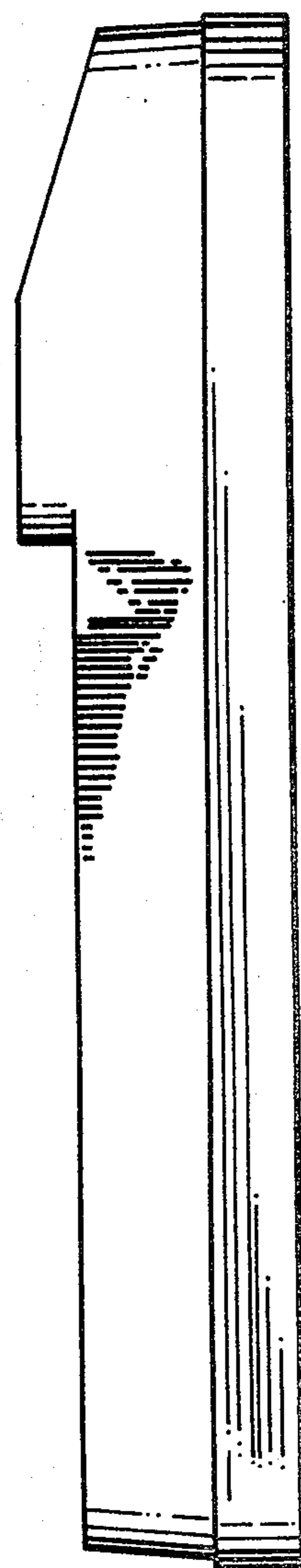


FIG. 7

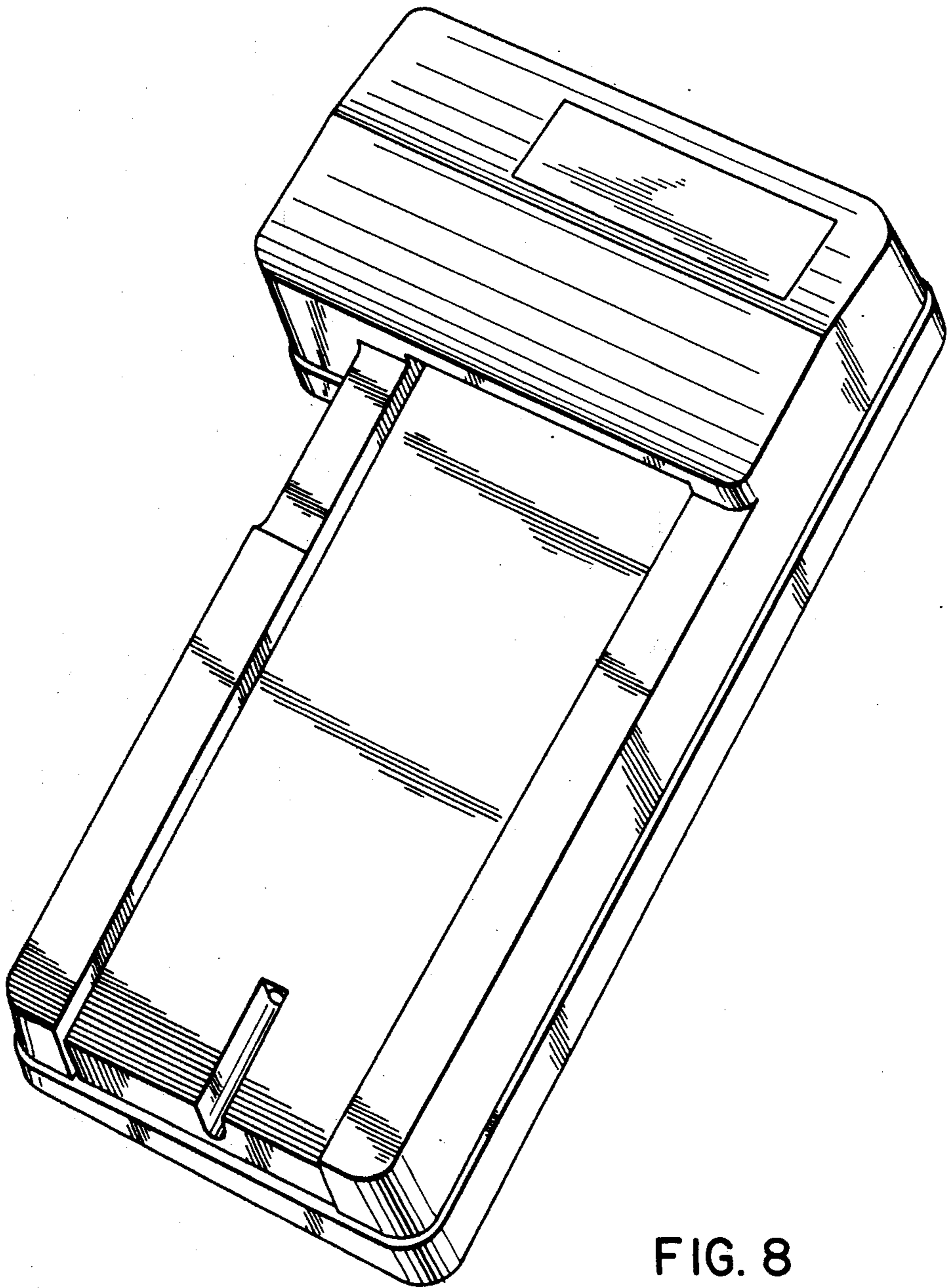


FIG. 8

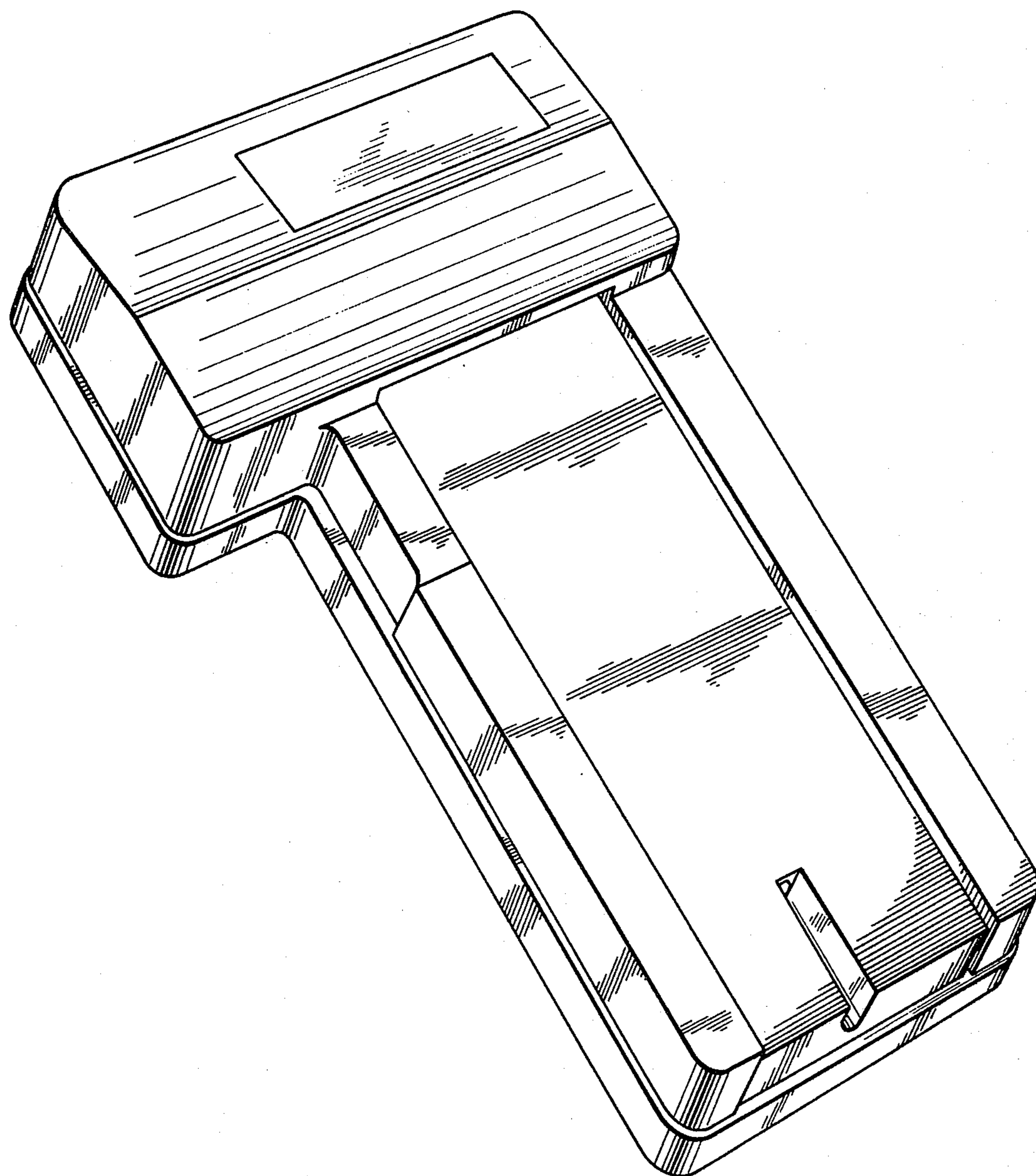


FIG. 9