

[54] CALCULATOR TELEPHONE

[76] Inventor: Paul C. Matthews, III, 57 Front St., Brooklyn, N.Y. 11201

[**] Term: 14 Years

[21] Appl. No.: 318,640

[22] Filed: Nov. 5, 1981

[52] U.S. Cl. D14/101; D14/53; D14/59

[58] Field of Search D14/53, 58, 59, 101; 179/100 R, 100 D, 178, 179, 103, 2 DP, 2 C, 90 K

[56] References Cited

U.S. PATENT DOCUMENTS

- D. 224,539 8/1972 Vaskunas D14/101
- D. 265,310 7/1982 Kovens D14/53
- D. 267,007 11/1982 Chiov D14/101

3,976,840 8/1976 Cleveland et al. 179/2 DP
4,304,968 12/1981 Klausner et al. 179/90 K

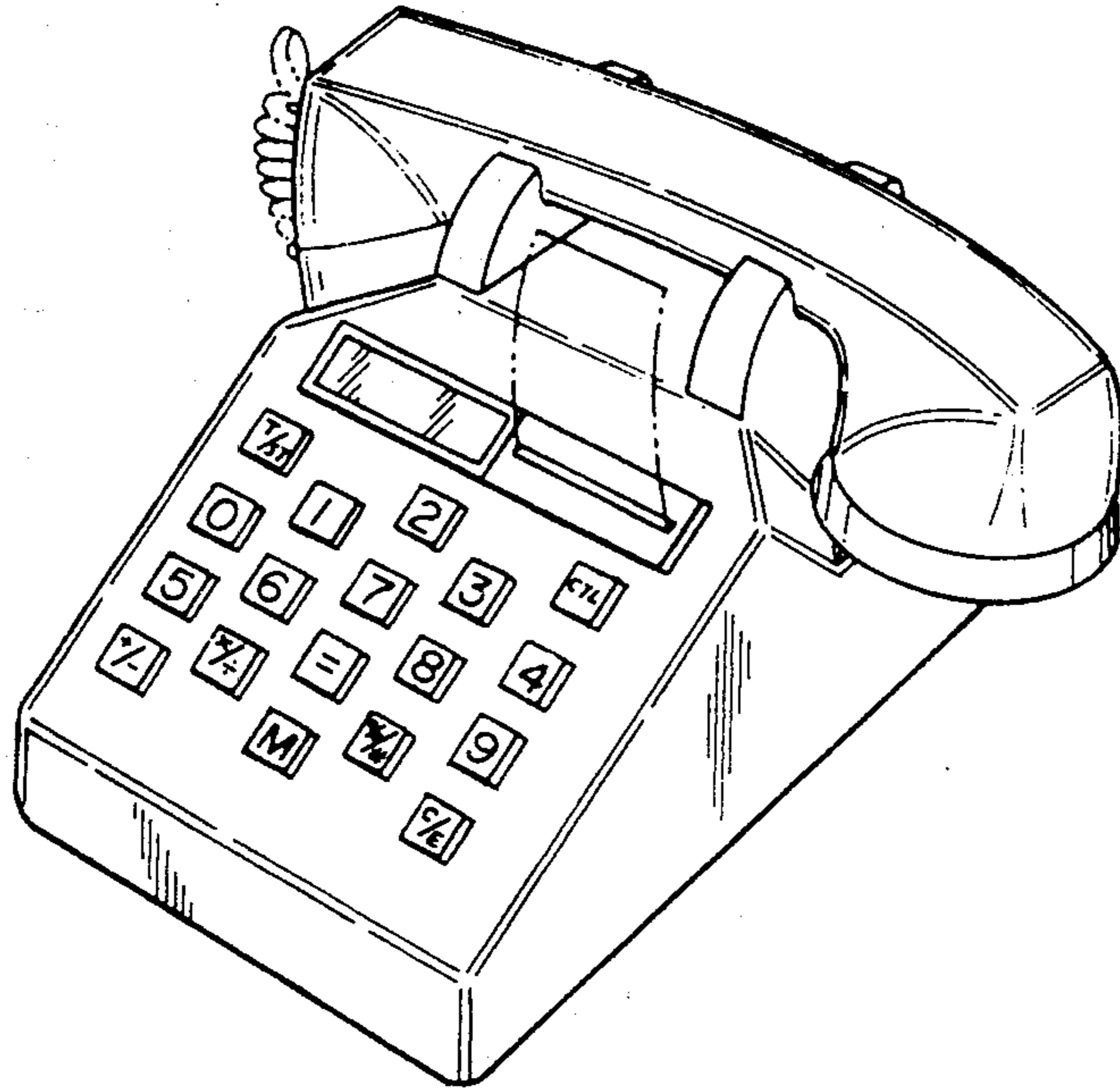
Primary Examiner—Bernard Ansher
Attorney, Agent, or Firm—Richard G. Geib

[57] CLAIM

The ornamental design for a calculator telephone, as shown and described.

DESCRIPTION

FIG. 1 is a front top perspective view of a calculator telephone showing my new design; FIG. 2 is a top plan view thereof; FIG. 3 is a front elevation thereof; FIG. 4 is a left side elevation thereof, the opposite side is a mirror image of the side shown; FIG. 5 is a rear elevation thereof; and FIG. 6 is a bottom plan view thereof. The broken lines representing the paper tape and telephone cord are shown for illustrative purposes only.



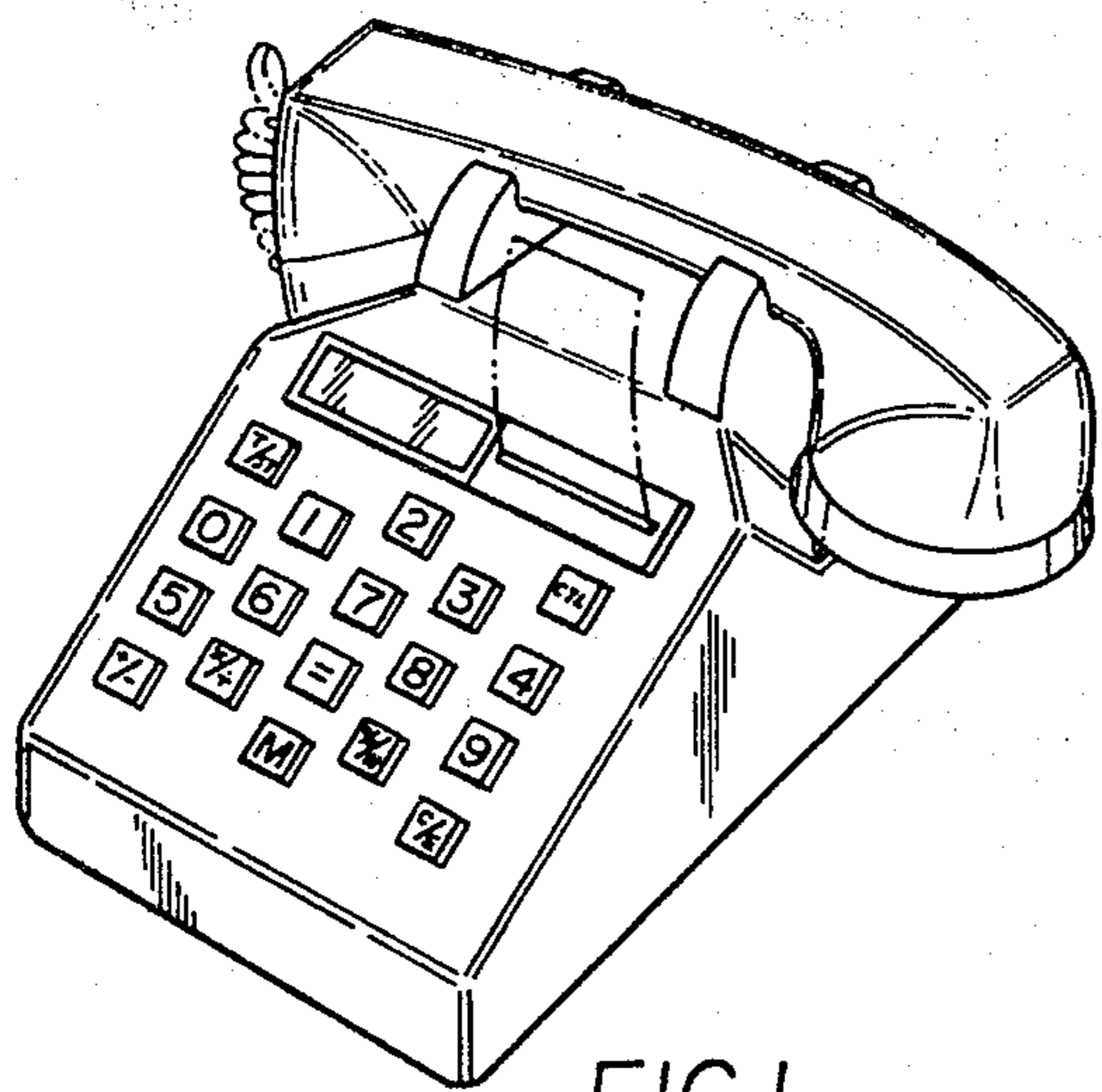


FIG. 1

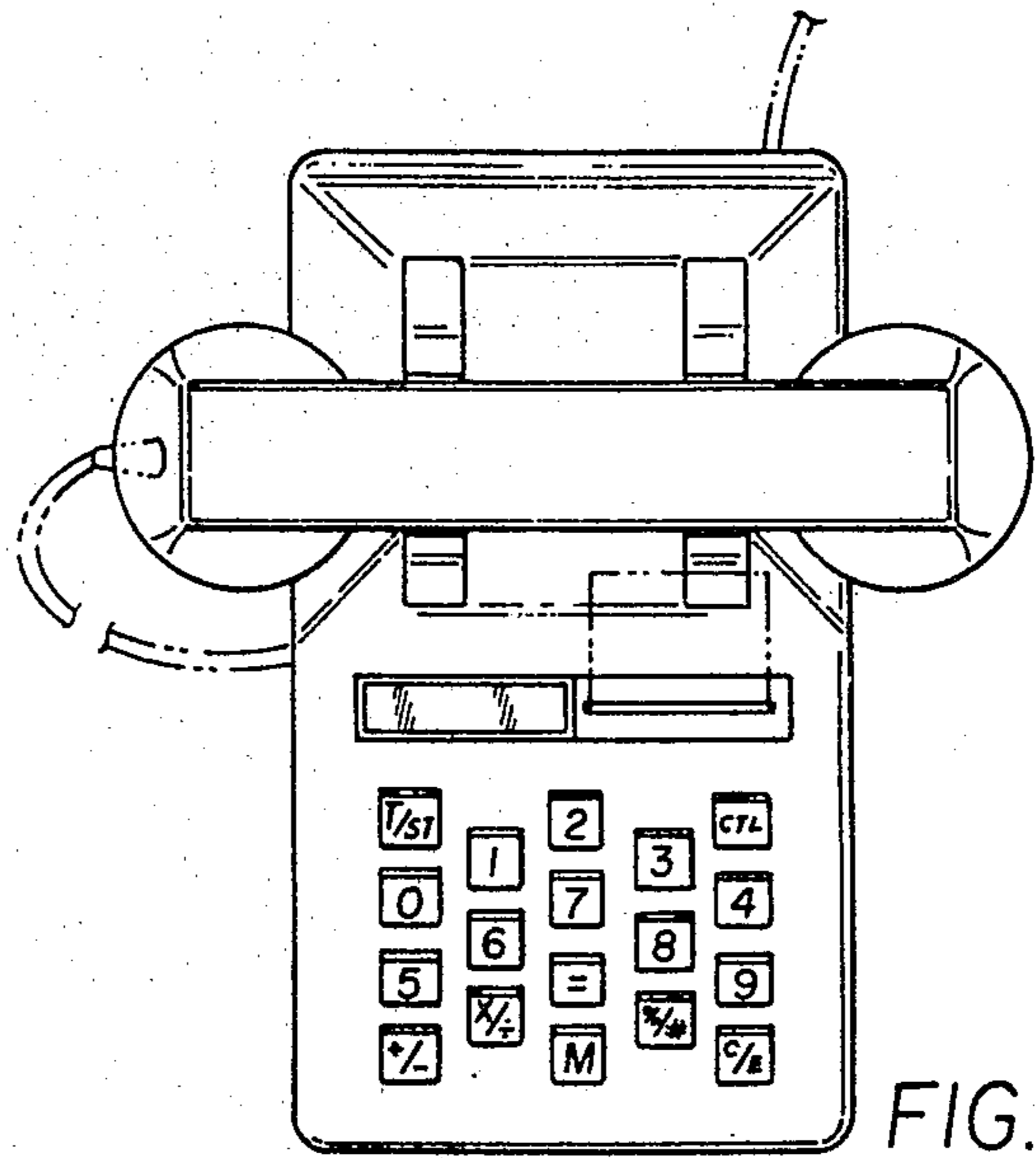


FIG. 2

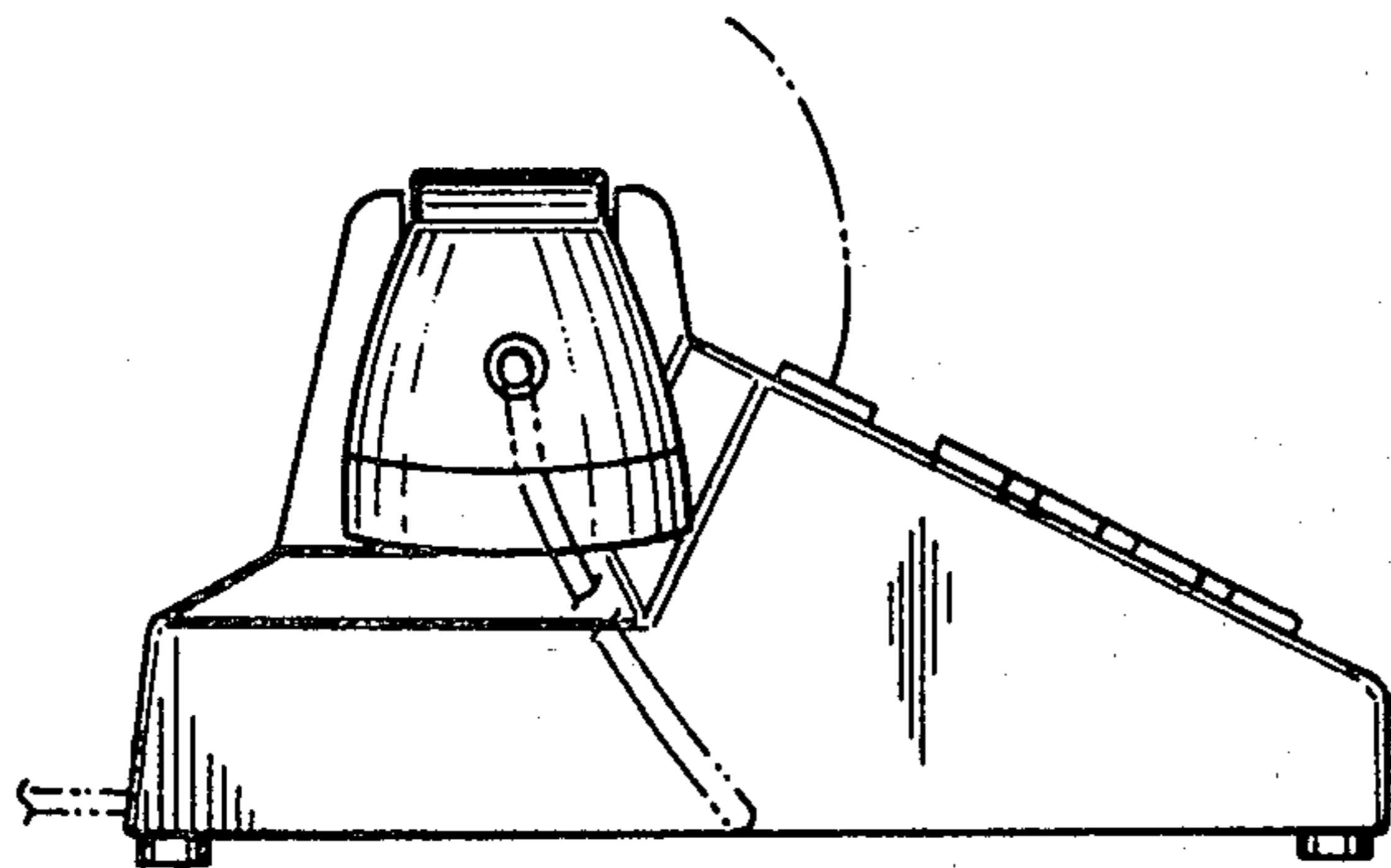


FIG. 4

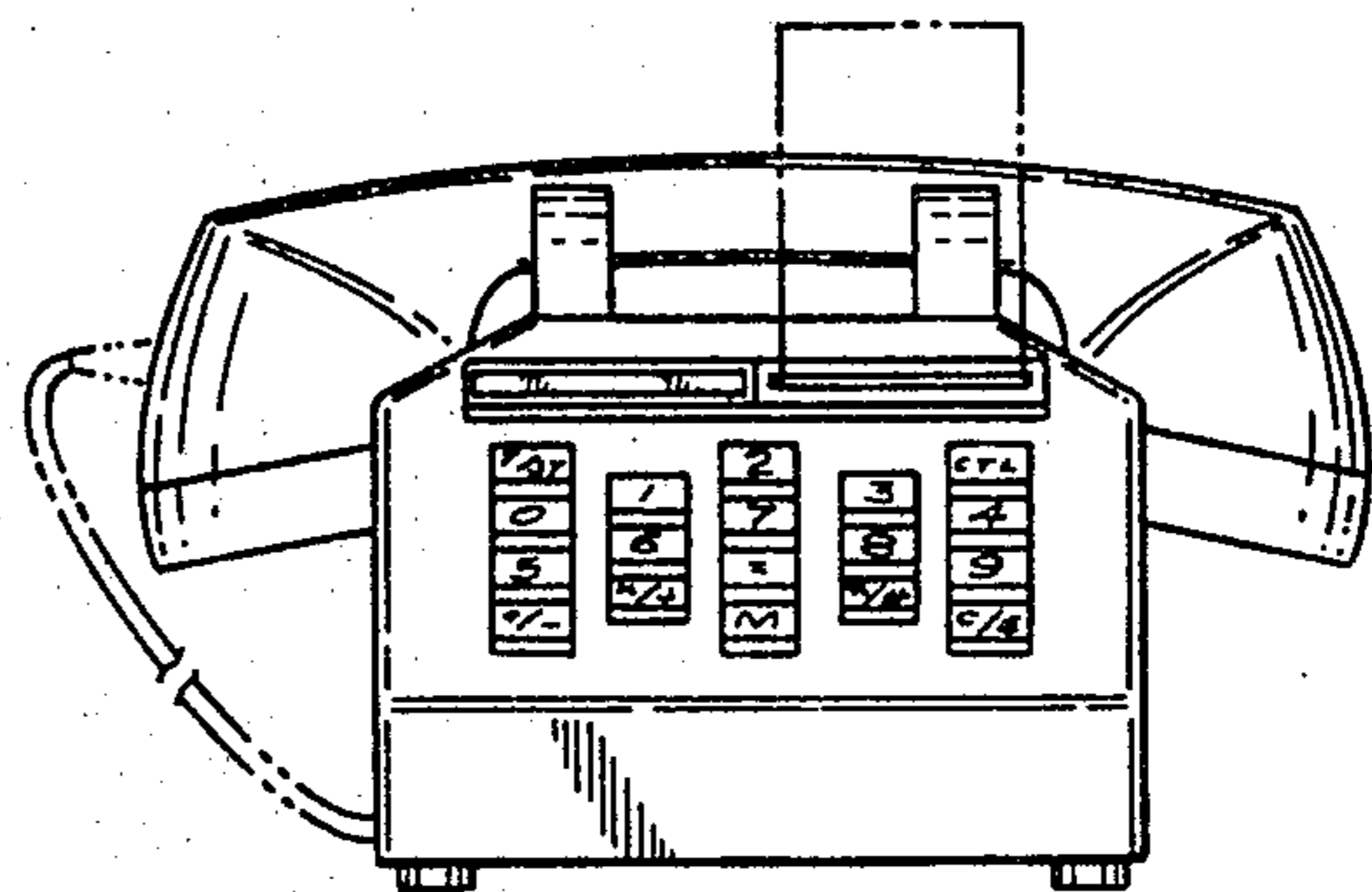


FIG. 3

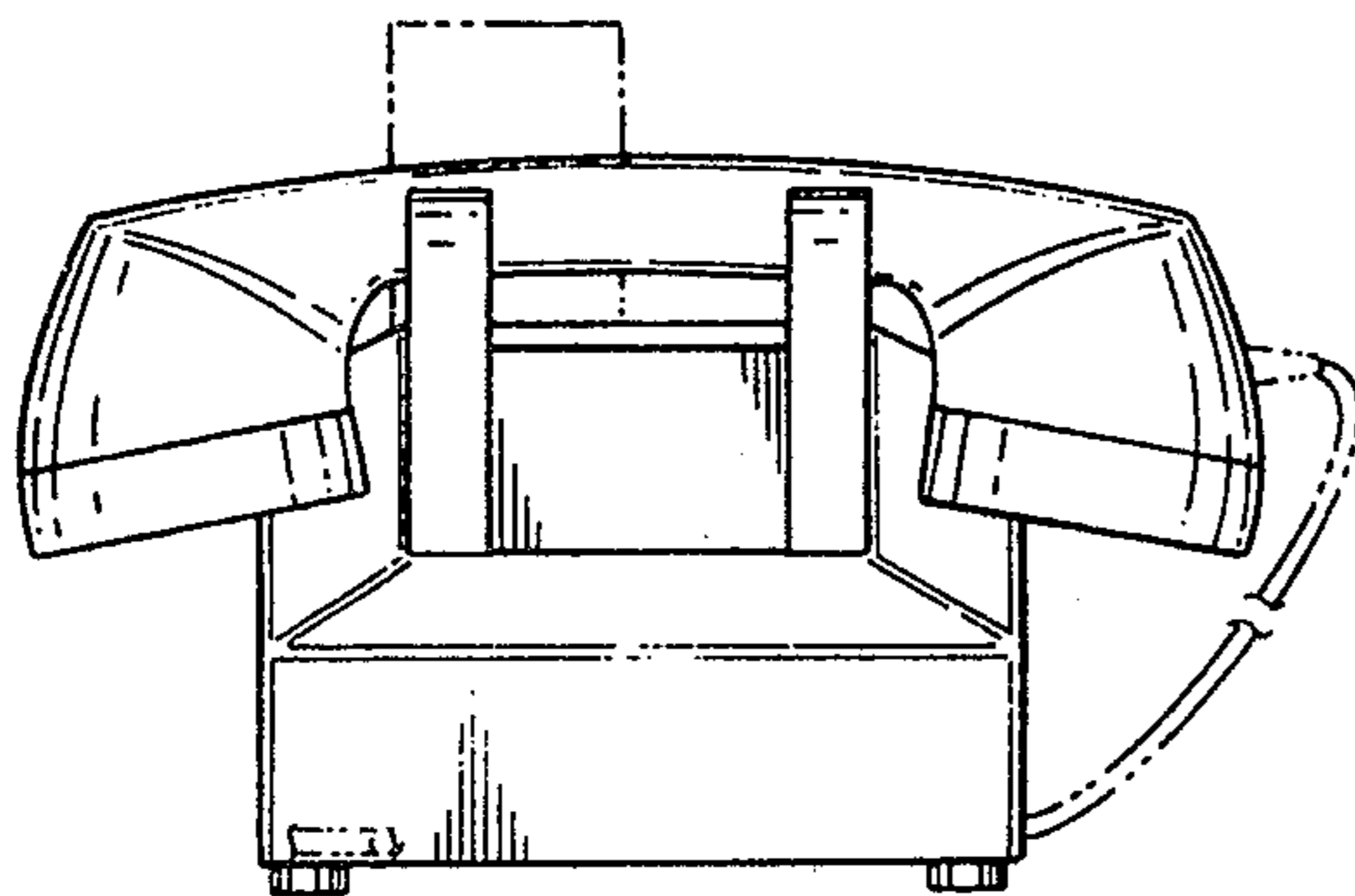


FIG. 5

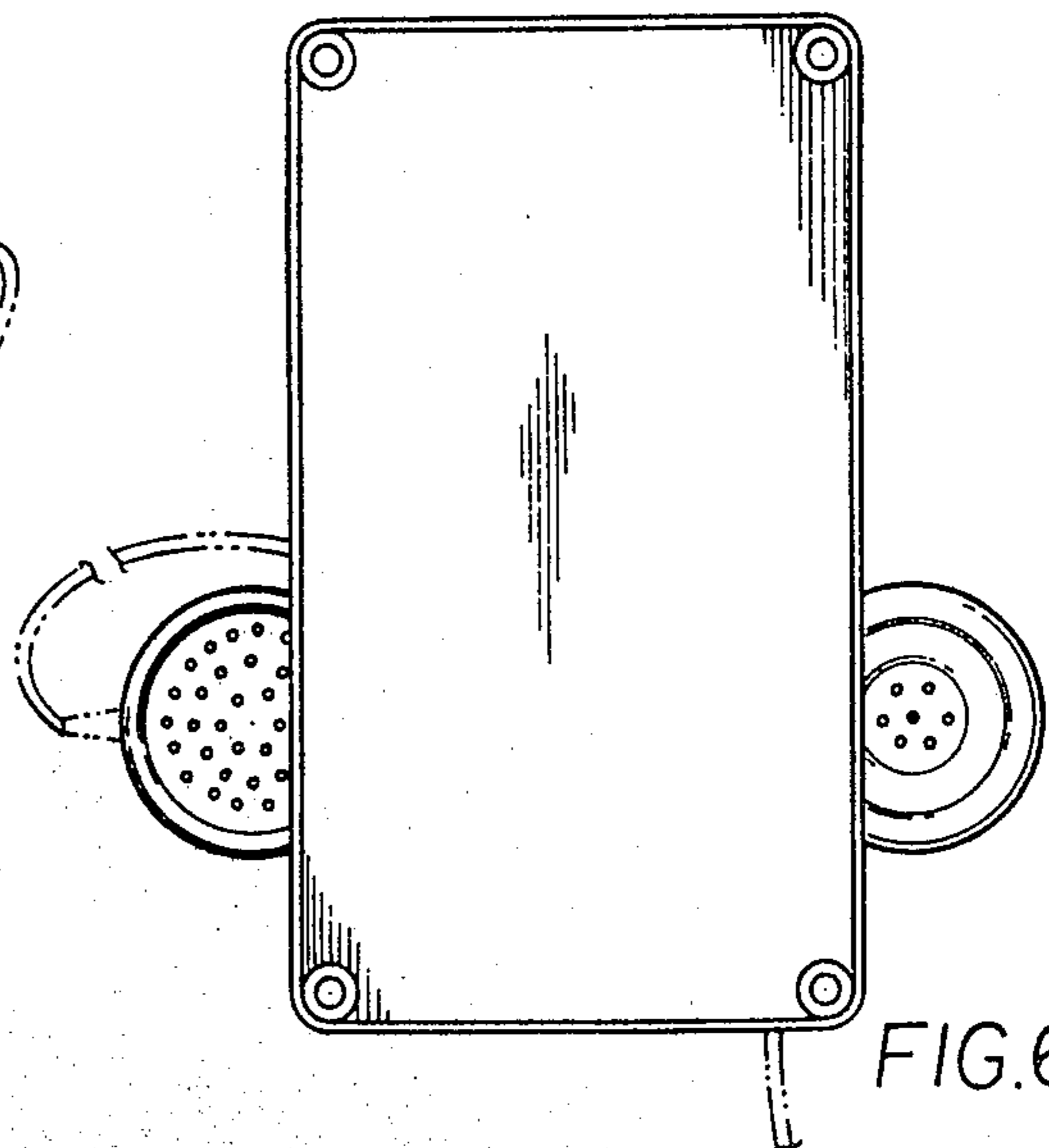


FIG. 6