

[54] **UNIVERSAL CABLE CONNECTOR FOR FIBER OPTIC CABLES AND THE LIKE**

[75] **Inventors:** Richard E. Feinbloom, New York;
Richard Lepczynski, Brooklyn;
Waldyslaw Oleksy, New York, all of N.Y.

[73] **Assignee:** Designs for Vision, Inc., New York, N.Y.

[**] **Term:** 14 Years

[21] **Appl. No.:** 268,717

[22] **Filed:** Jun. 1, 1981

[52] **U.S. Cl.** D13/24

[58] **Field of Search** D13/24; 350/96.16, 96.2, 350/96.21, 96.22

[56] **References Cited**

U.S. PATENT DOCUMENTS

D. 248,097	6/1978	Feinbloom et al.	D13/24
4,124,272	11/1978	Henderson et al.	350/96.2 X
4,168,109	9/1979	Dumire	350/96.2 X

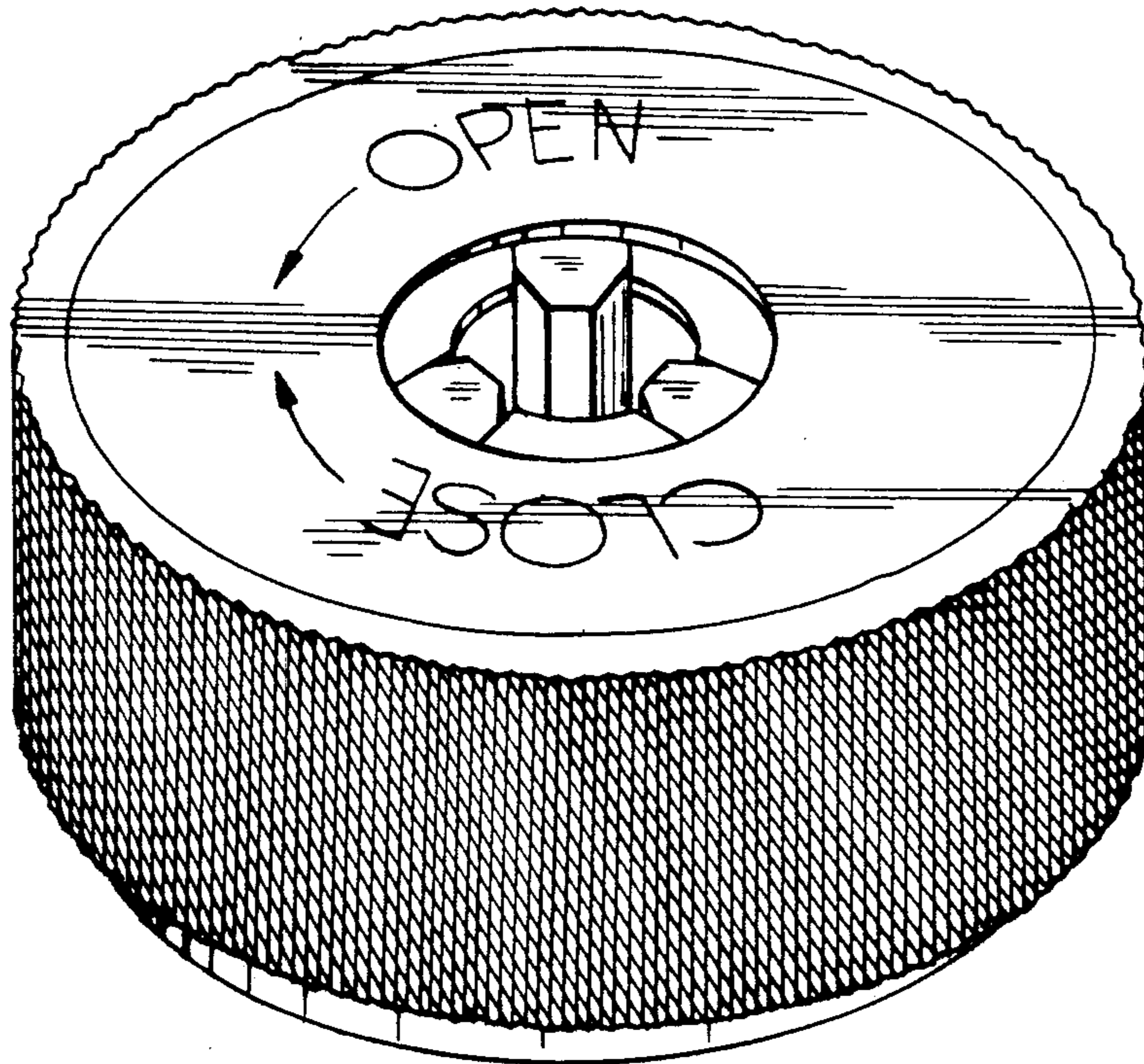
Primary Examiner—Susan J. Lucas
Attorney, Agent, or Firm—Arthur L. Plevy

[57] **CLAIM**

The ornamental design for a universal cable connector for fiber optic cables and the like, substantially as shown and described.

DESCRIPTION

FIG. 1 is a top plan view of a universal cable connector for fiber optic cables and the like showing our new design;
FIG. 2 is a bottom plan view thereof;
FIG. 3 is a side elevational view thereof;
FIG. 4 is a top perspective view thereof;
FIG. 5 is a bottom perspective view thereof.



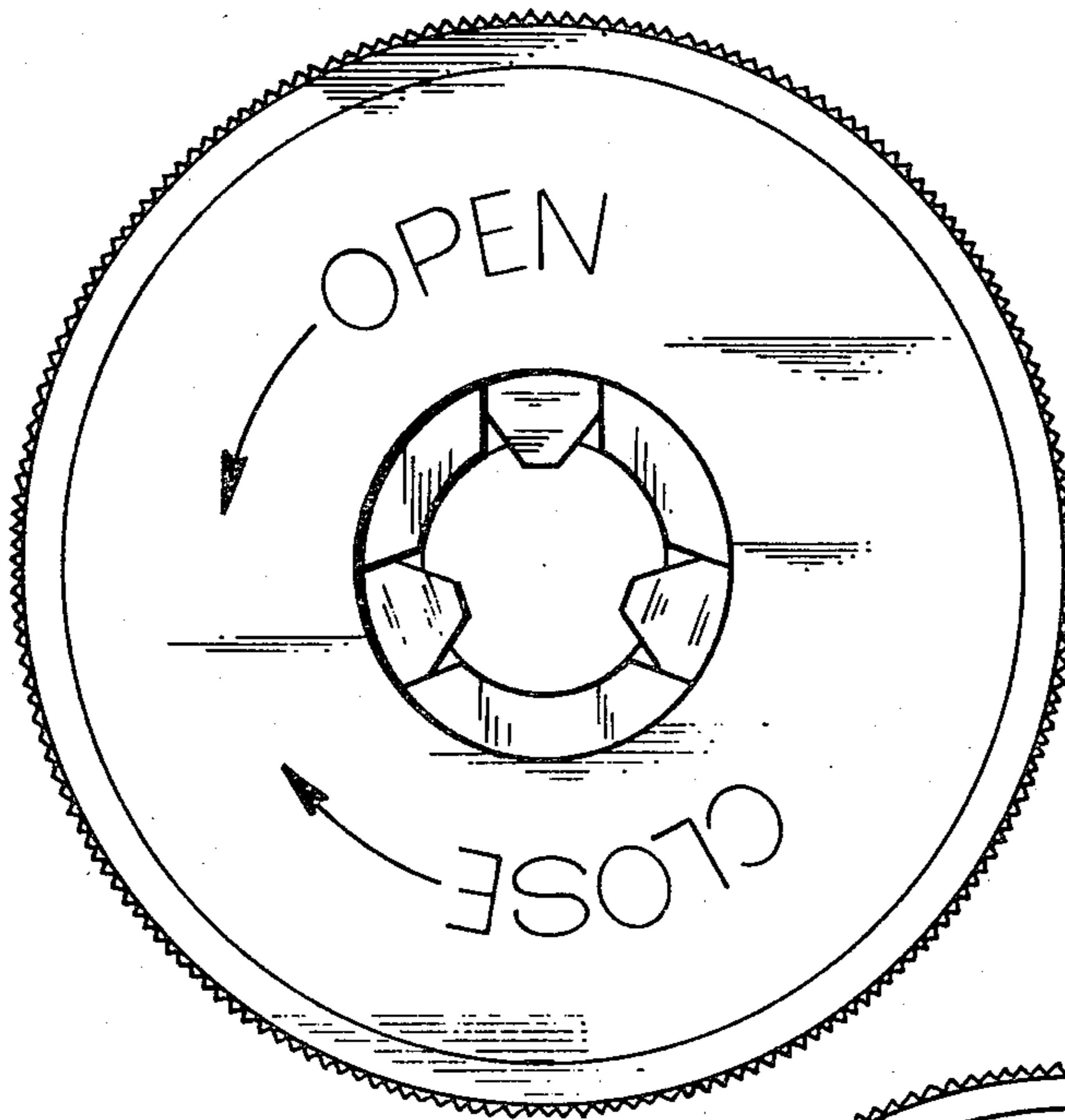


FIG. 1

FIG. 2

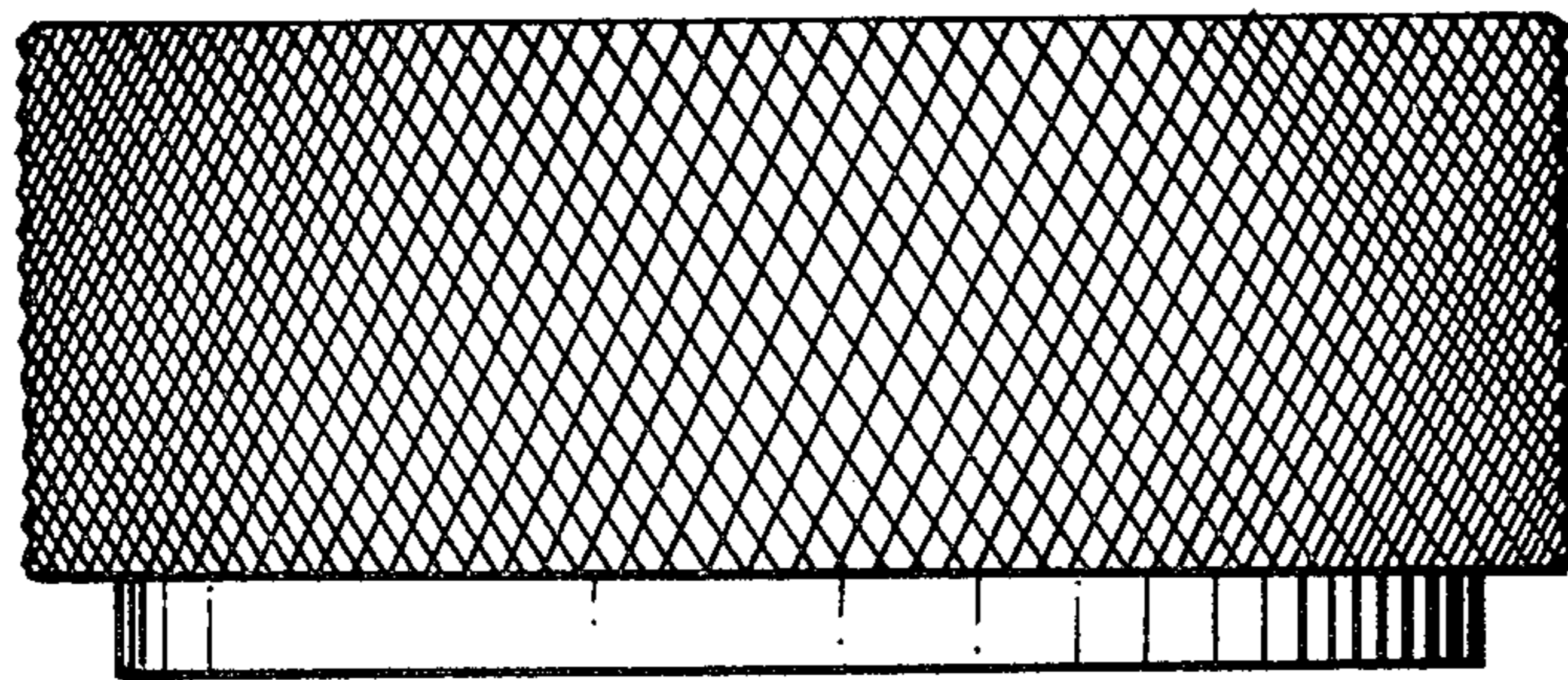
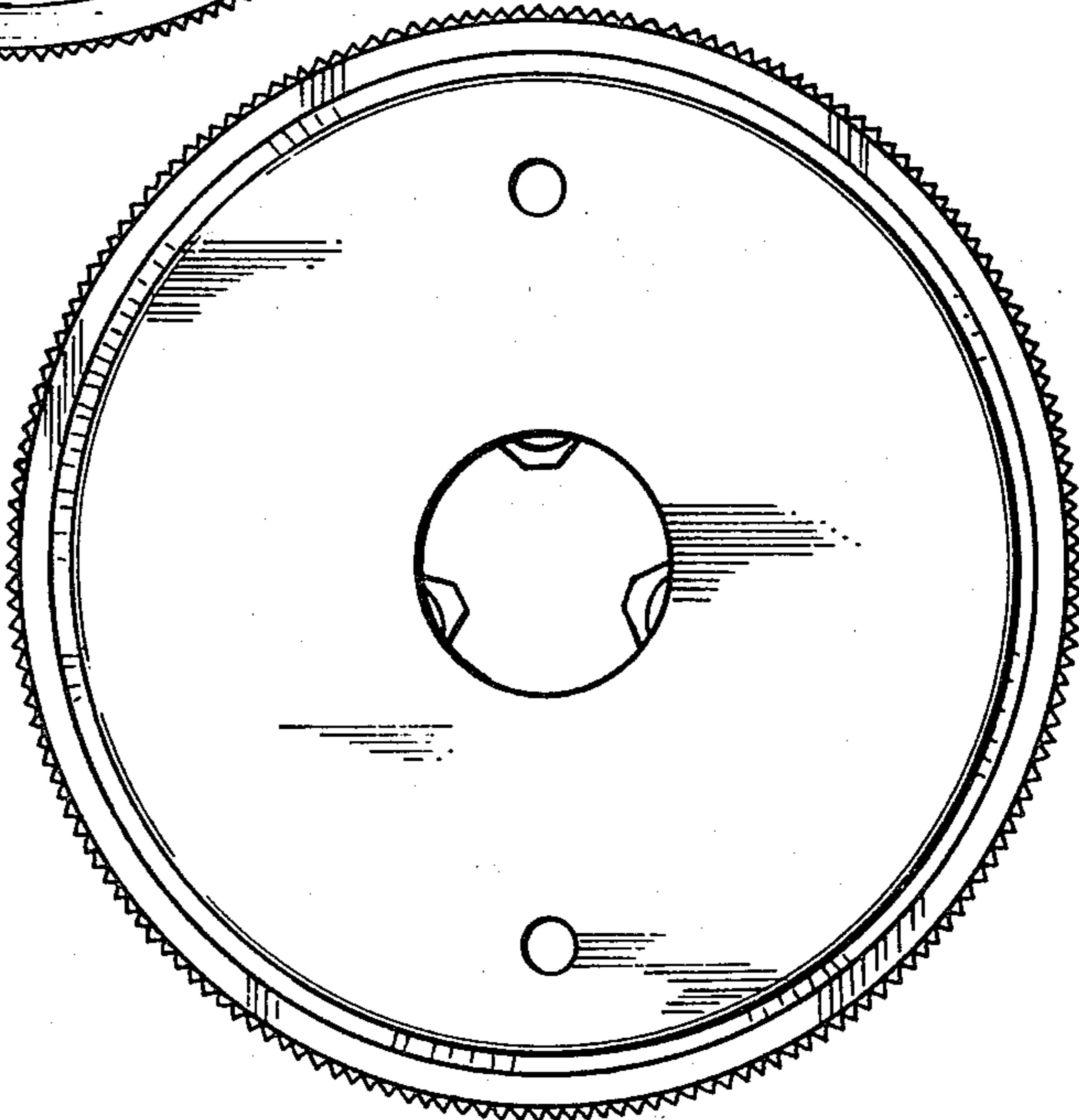


FIG. 3

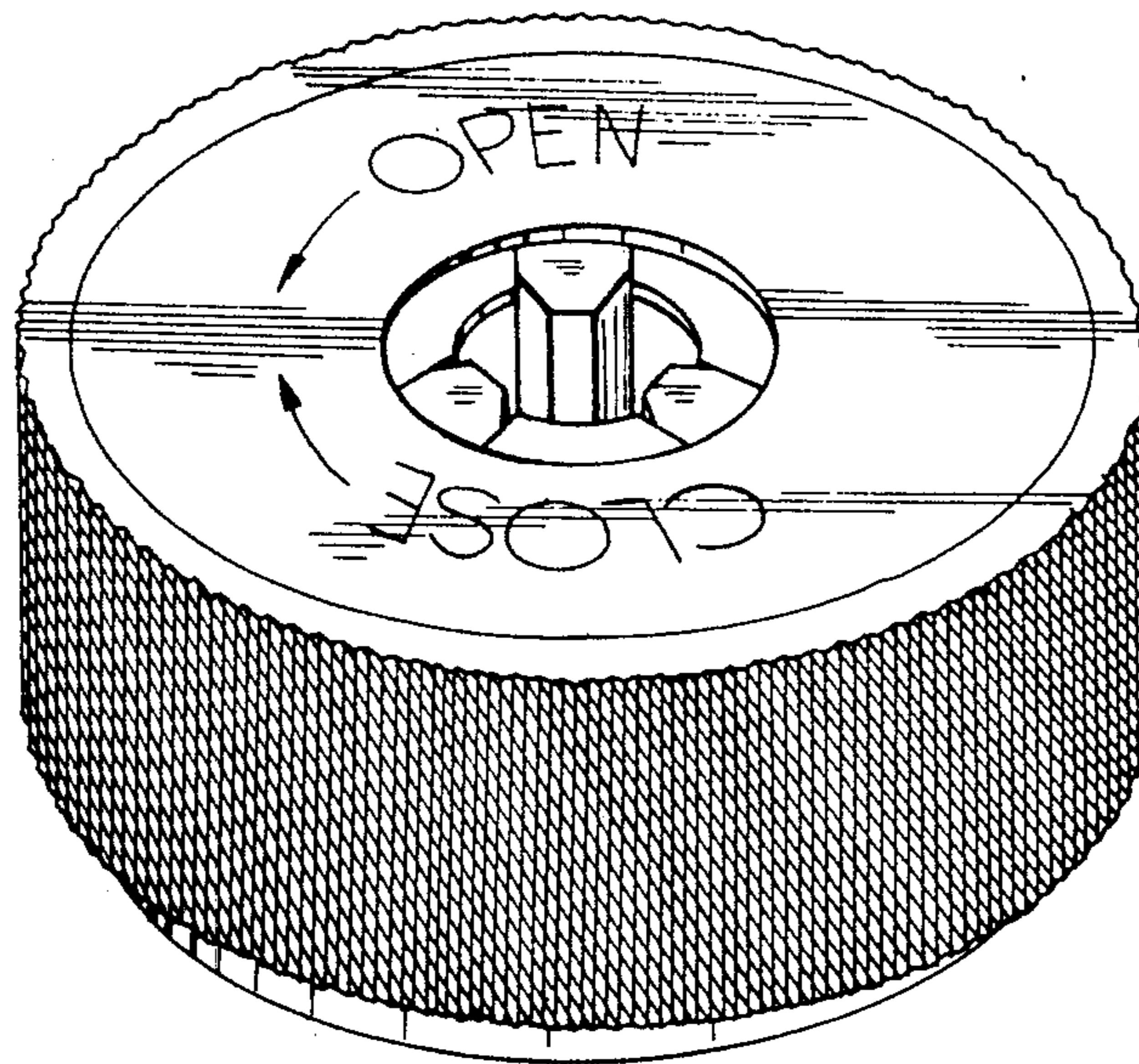


FIG. 4

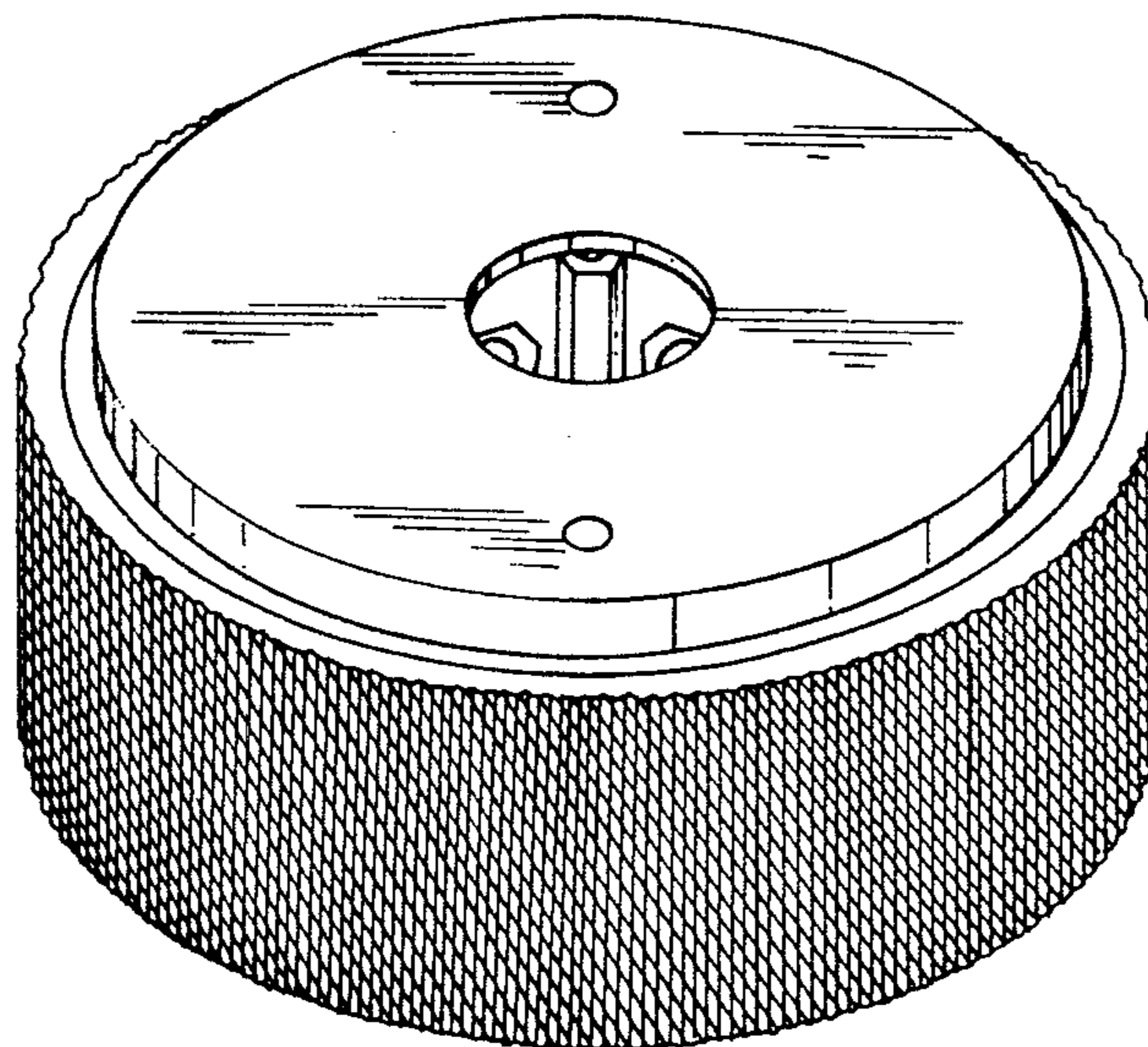


FIG. 5