

[54] **GUARD FOR A VEHICLE HITCH**

[76] **Inventor:** Blue Ruhland, R.R. No. 1, Kingsley,
Iowa 51028

[**] **Term:** 14 Years

[21] **Appl. No.:** 320,189

[22] **Filed:** Nov. 12, 1981

[52] **U.S. Cl.** D12/162

[58] **Field of Search** D12/162; 280/507

[56] **References Cited**

U.S. PATENT DOCUMENTS

2,671,675	3/1954	Swaisgood	280/507
3,924,878	12/1975	Utman et al.	280/507
4,208,065	6/1980	Hansen	280/507
4,241,936	12/1980	Carruthers et al.	280/507
4,291,557	9/1981	Bulle et al.	280/507 X
4,291,893	9/1981	Hansen	280/507

FOREIGN PATENT DOCUMENTS

2458410 2/1981 France 280/507

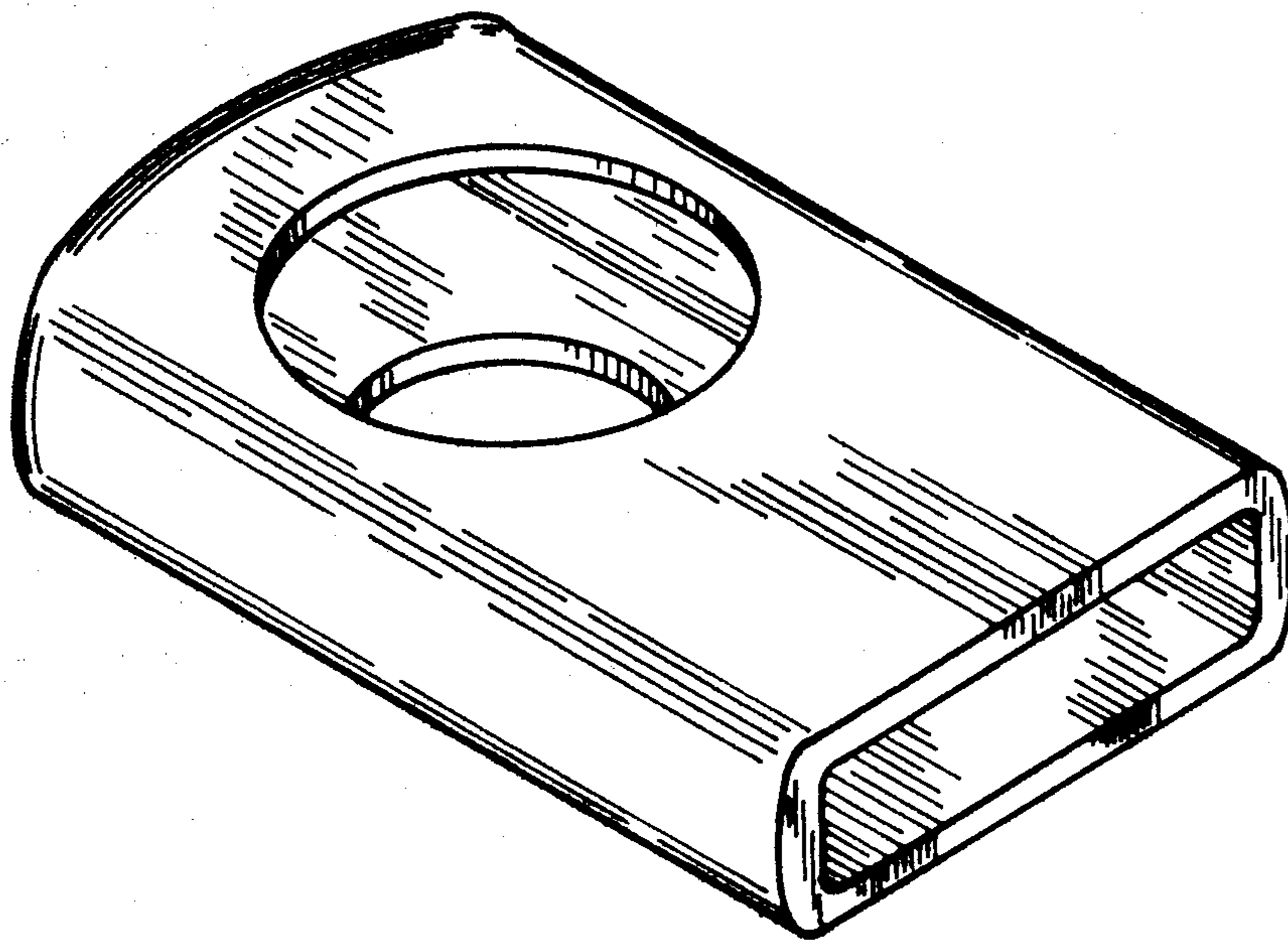
Primary Examiner—Catherine E. Kemper
Attorney, Agent, or Firm—Rudolph L. Lowell

[57] **CLAIM**

The ornamental design for a guard for a vehicle hitch, substantially as shown.

DESCRIPTION

FIG. 1 is a front perspective view of a guard for a vehicle hitch showing my new design;
FIG. 2 is a top view thereof;
FIG. 3 is a side view thereof;
FIG. 4 is a bottom view thereof;
FIG. 5 is an end view looking toward the left in FIG. 2; and
FIG. 6 is an end view looking toward the right in FIG. 2.



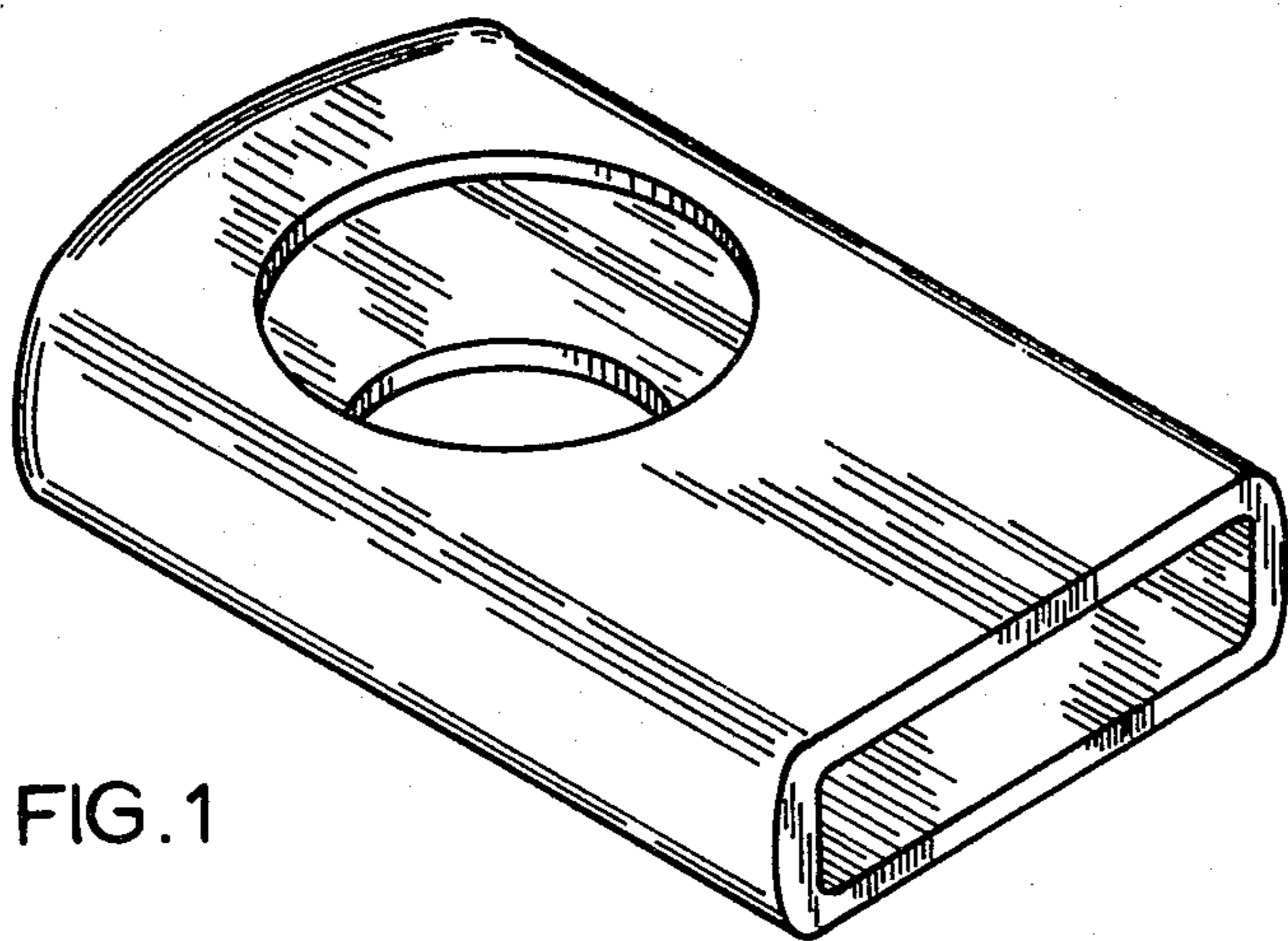


FIG. 1

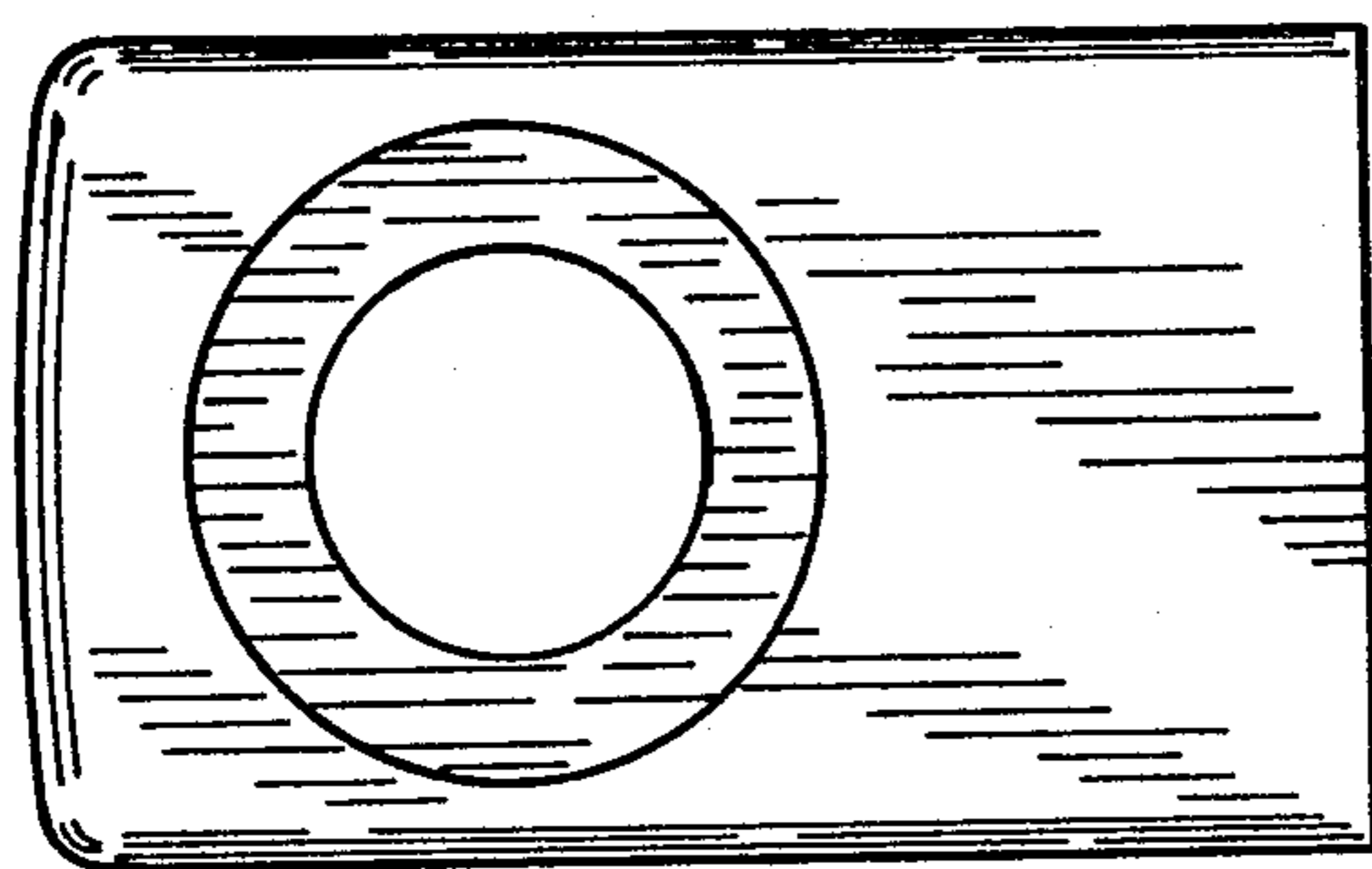


FIG. 2

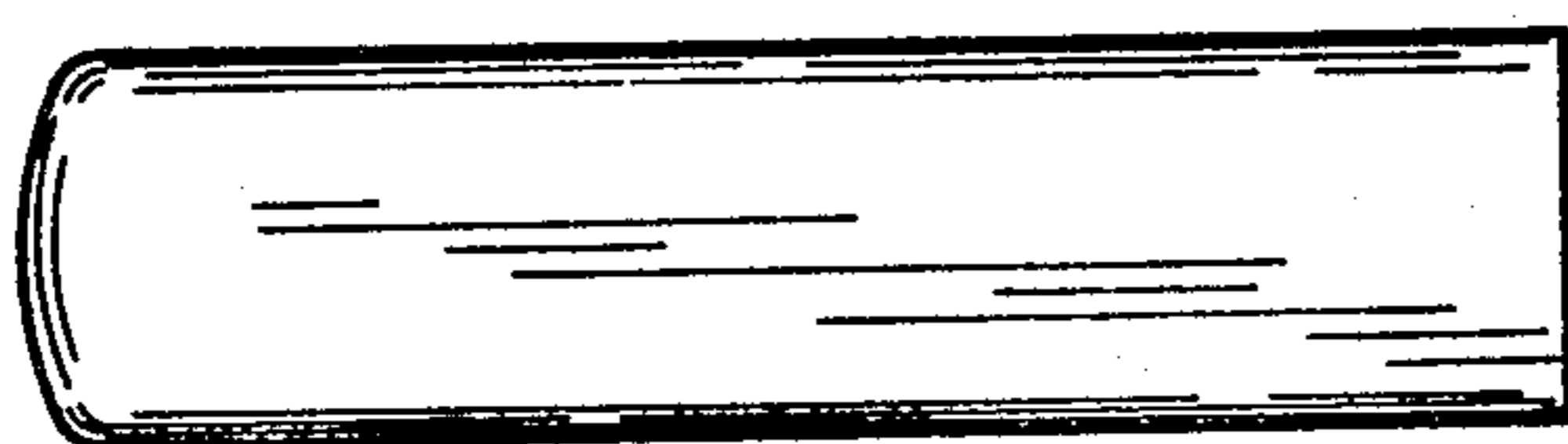


FIG. 3

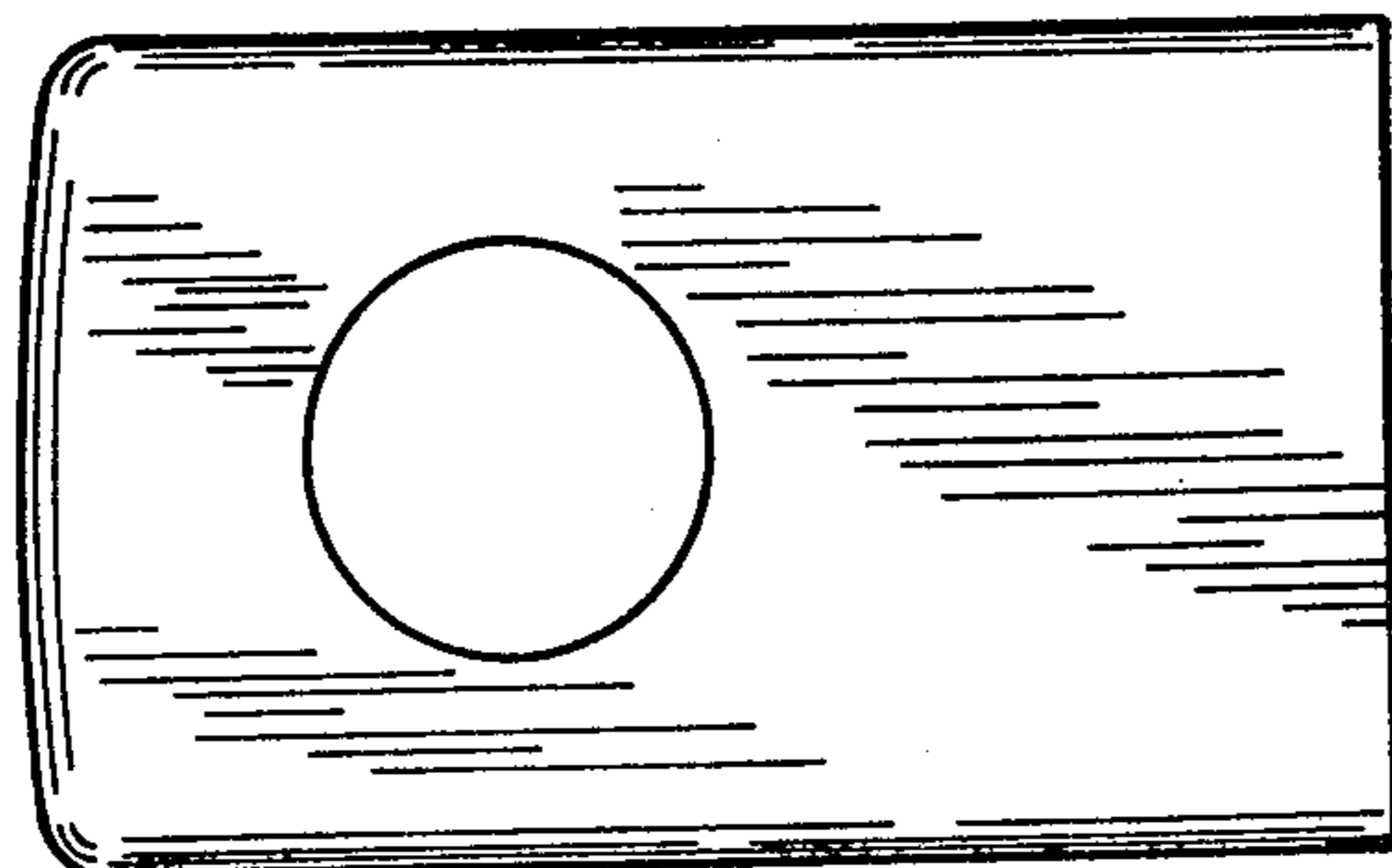


FIG. 4

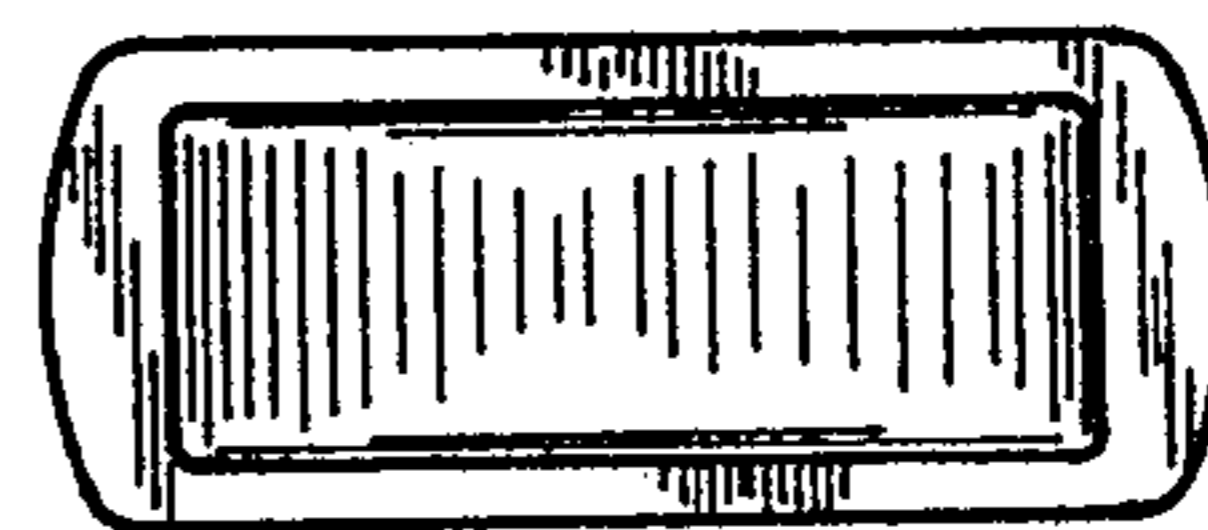


FIG. 5



FIG. 6