

[54] BICYCLE CONSOLE

1092332 10/1956 Fed. Rep. of Germany ..... 74/551.8  
301636 12/1928 United Kingdom ..... 280/289 H

[75] Inventors: Kevin R. Aker, Fairfield; Jeffery G. Martin, Kettering, both of Ohio

Primary Examiner—James M. Gandy  
Attorney, Agent, or Firm—Biebel, French & Nauman

[73] Assignee: Huffy Corporation, Miamisburg, Ohio

[57] CLAIM

[\*\*] Term: 14 Years

The ornamental design for a bicycle console, substantially as shown and described.

[21] Appl. No.: 309,315

DESCRIPTION

[22] Filed: Oct. 7, 1981

[52] U.S. Cl. .... D12/114

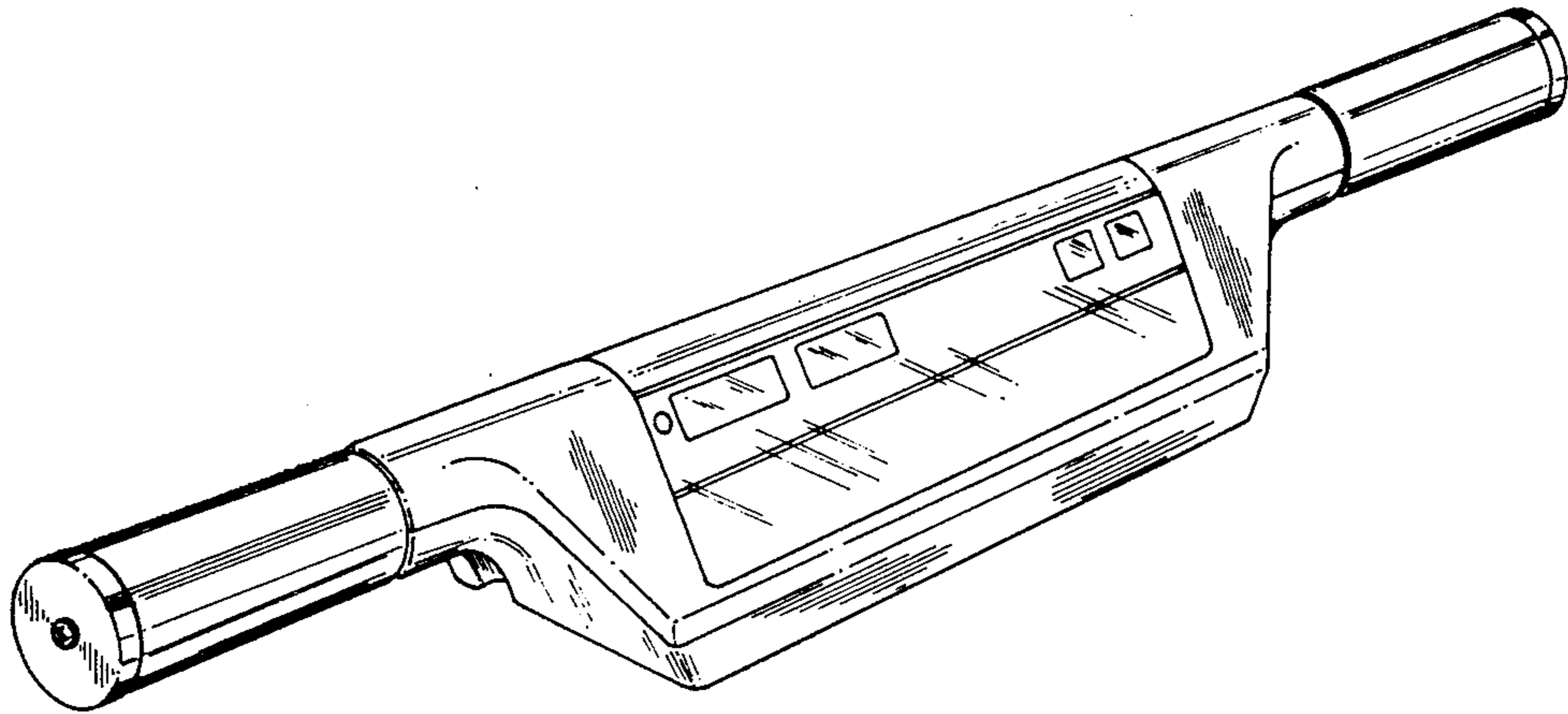
[58] Field of Search ..... D12/114, 178, 155;  
280/289 R, 289 H; 74/551.8

FIG. 1 is a perspective view of a bicycle console showing our new design;  
FIG. 2 is a top plan view thereof;  
FIG. 3 is a front elevational view thereof;  
FIG. 4 is a bottom plan view thereof;  
FIG. 5 is a rear elevational view thereof;  
FIG. 6 is a left end elevational view thereof; and  
FIG. 7 is a right end elevational view thereof.

[56] References Cited

FOREIGN PATENT DOCUMENTS

380414 9/1923 Fed. Rep. of Germany ... 280/289 H



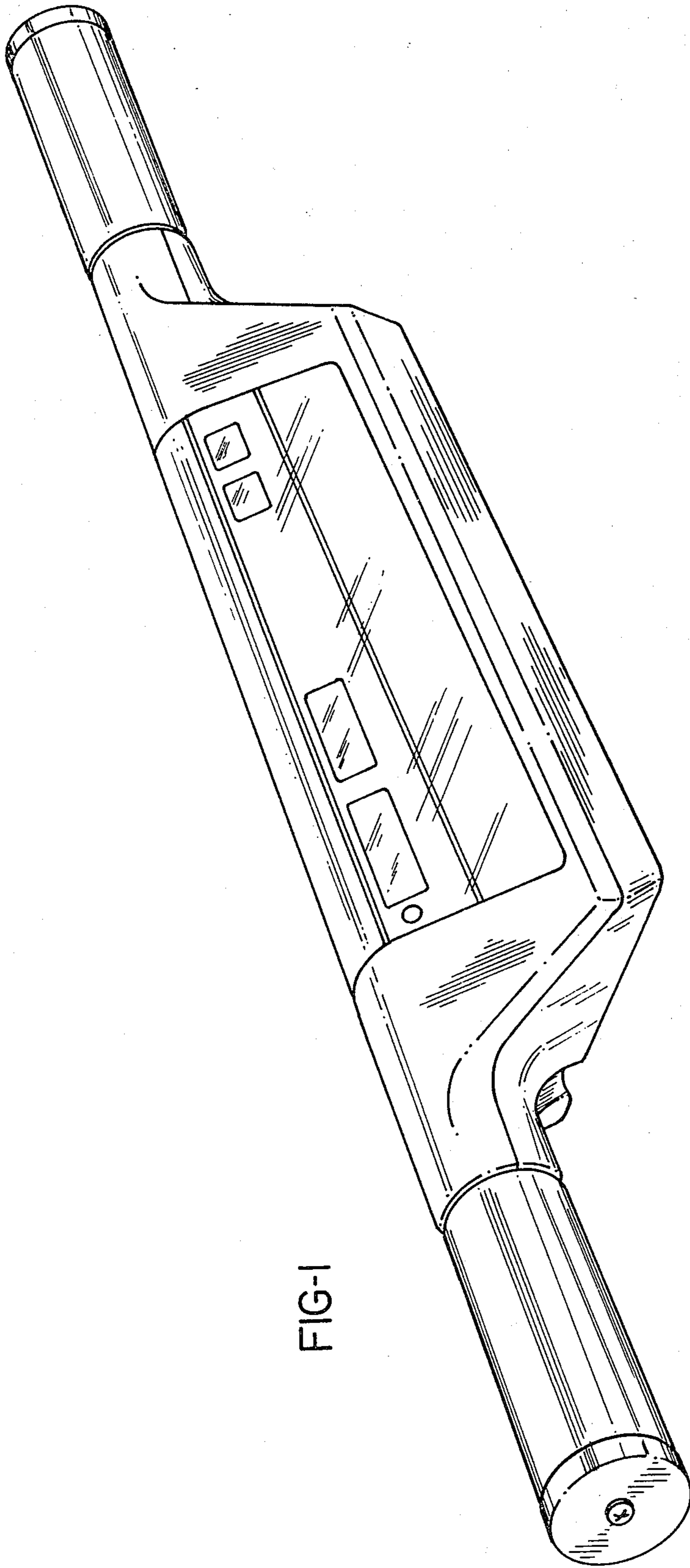


FIG-1

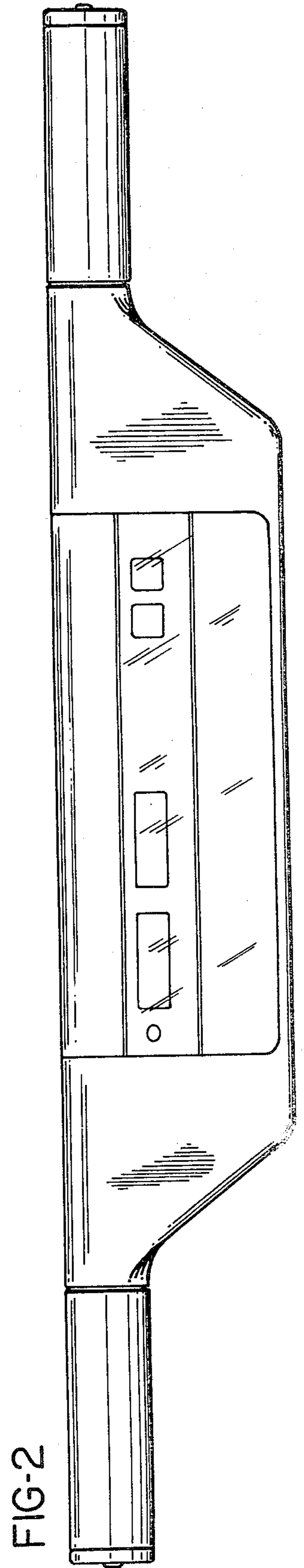


FIG-2

FIG-3

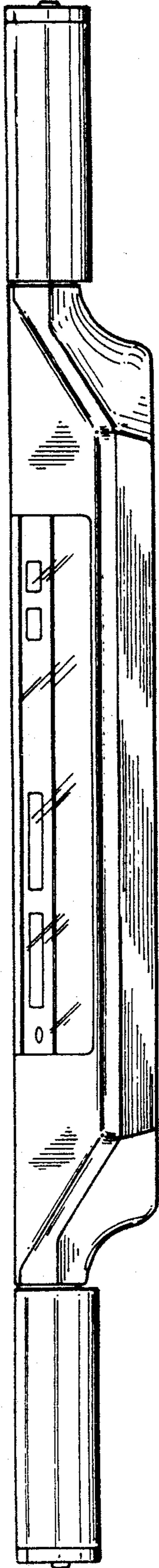


FIG-4

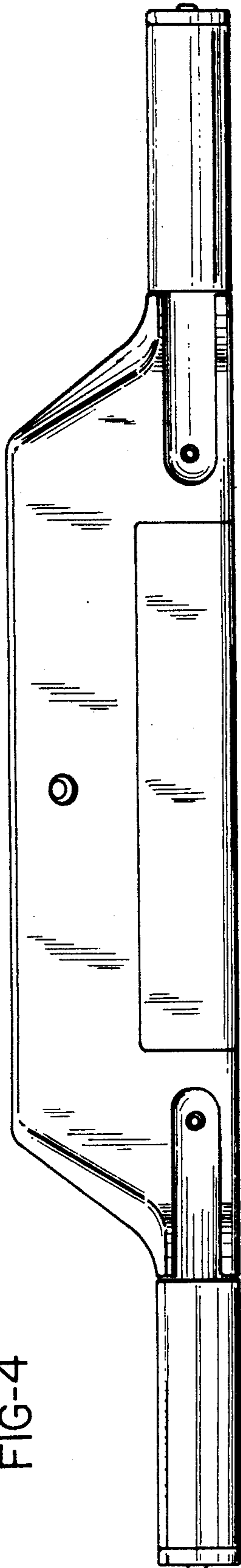


FIG-5

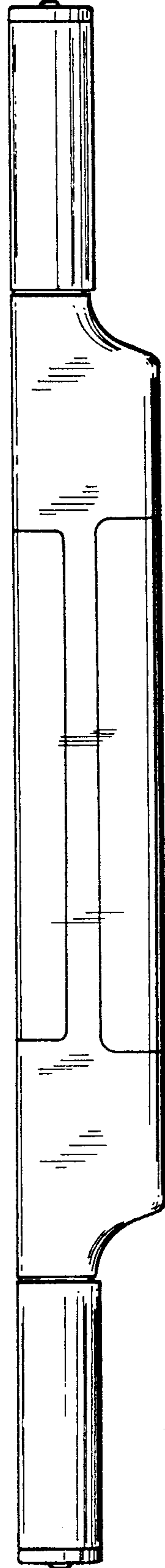


FIG-6

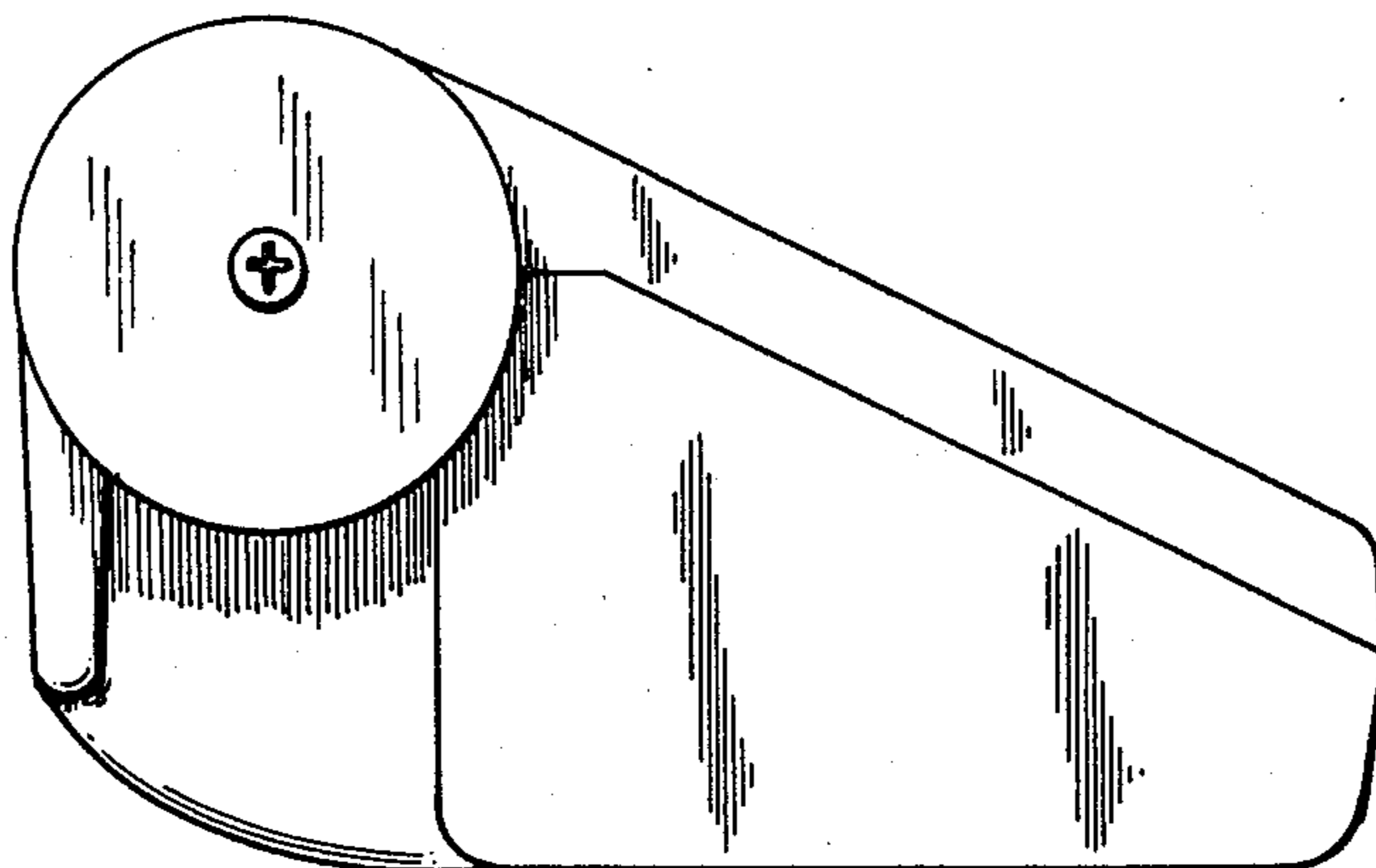


FIG-7

