

[54] CHILD'S RIDING VEHICLE

[76] Inventors: Richard C. Levy; Sheryl Levy, both of 6737 Newbold Dr., Bethesda, Md. 20817; Gary Piaget, 5 Ridley Ct., Glenn Ridge, N.J. 07028

[**] Term: 14 Years

[21] Appl. No.: 319,278

[22] Filed: Nov. 9, 1981

[52] U.S. Cl. D12/112

[58] Field of Search D12/112; D21/80; 280/282, 87.01, 82.02 R

[56] References Cited

U.S. PATENT DOCUMENTS

- D. 203,759 2/1966 Ryan et al. D21/80
- D. 242,441 11/1976 Nagle D12/112

- D. 263,944 4/1982 Arad et al. D12/112
- 3,834,249 9/1974 Bothwell D12/178

OTHER PUBLICATIONS

Toys & Novelties, 5/47, p. 30, front wheel of tricycle.

Primary Examiner—James M. Gandy

Attorney, Agent, or Firm—Cushman, Darby & Cushman

[57] CLAIM

The ornamental design for a child's riding vehicle, as shown and described.

DESCRIPTION

FIG. 1 is a perspective view of a child's riding vehicle showing our new design;

FIG. 2 is a rear perspective view thereof;

FIG. 3 is a side elevational view thereof, the opposite side being a mirror image of that shown; and

FIG. 4 is a front perspective view thereof.

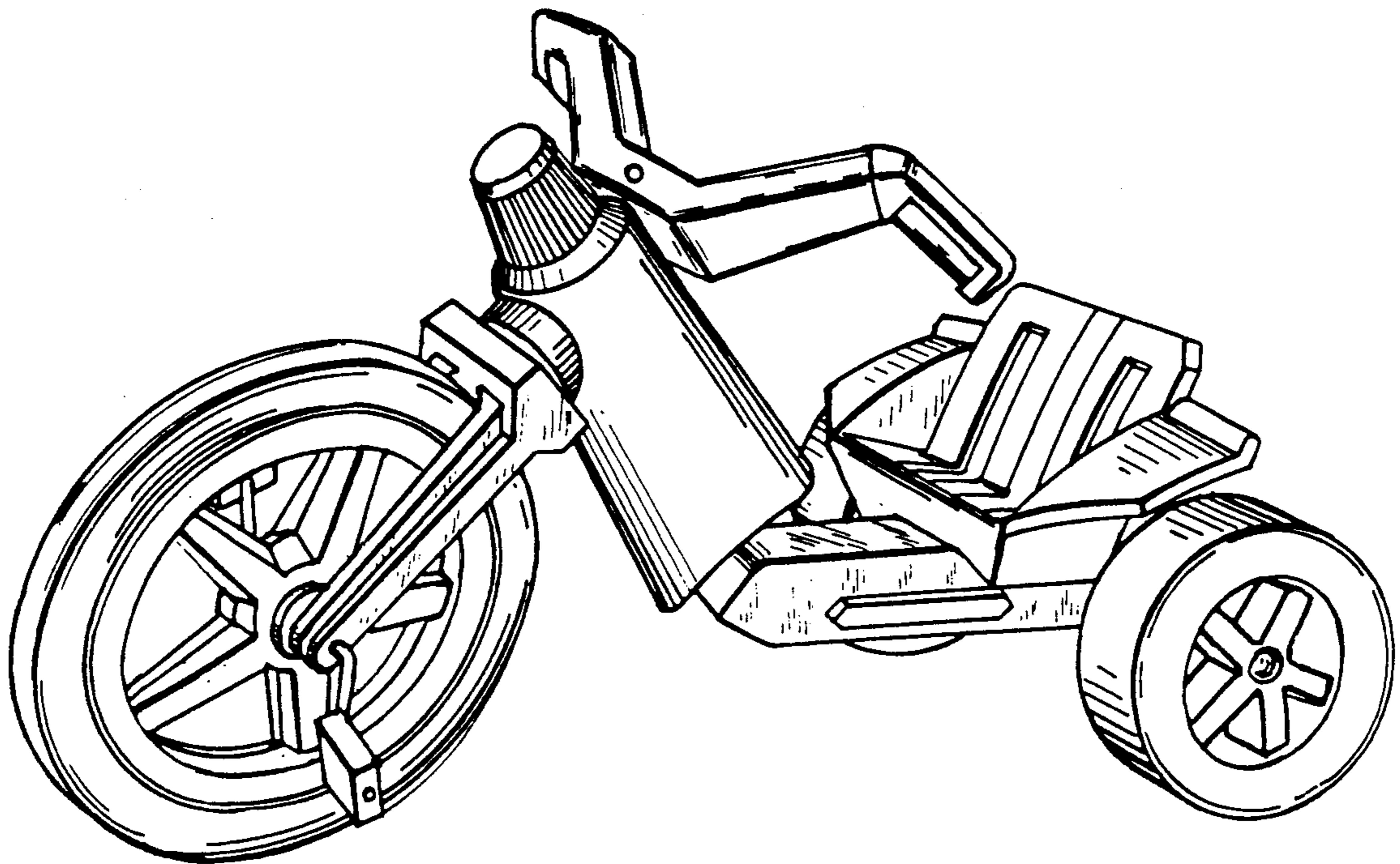


Fig. 1.

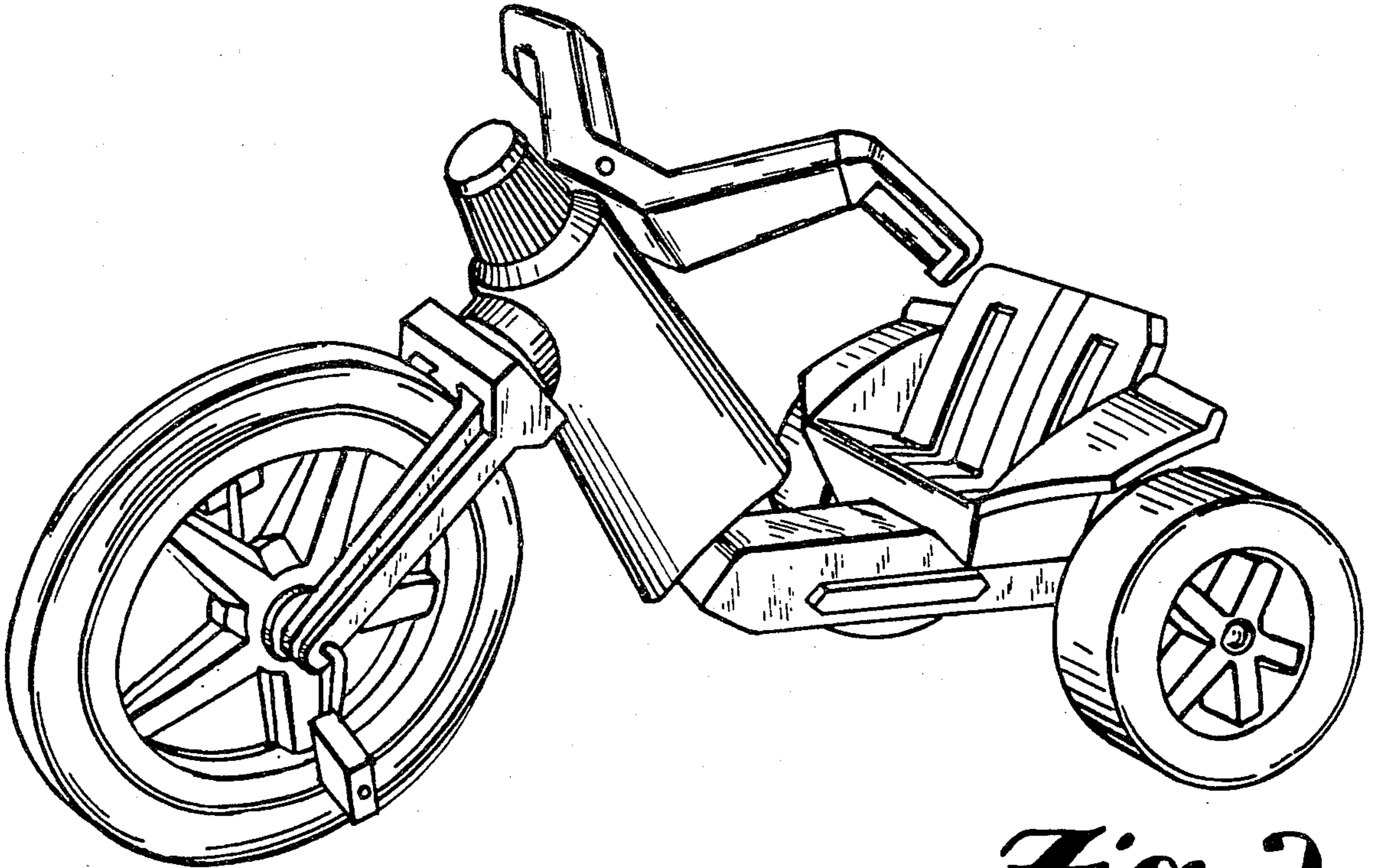


Fig. 2.

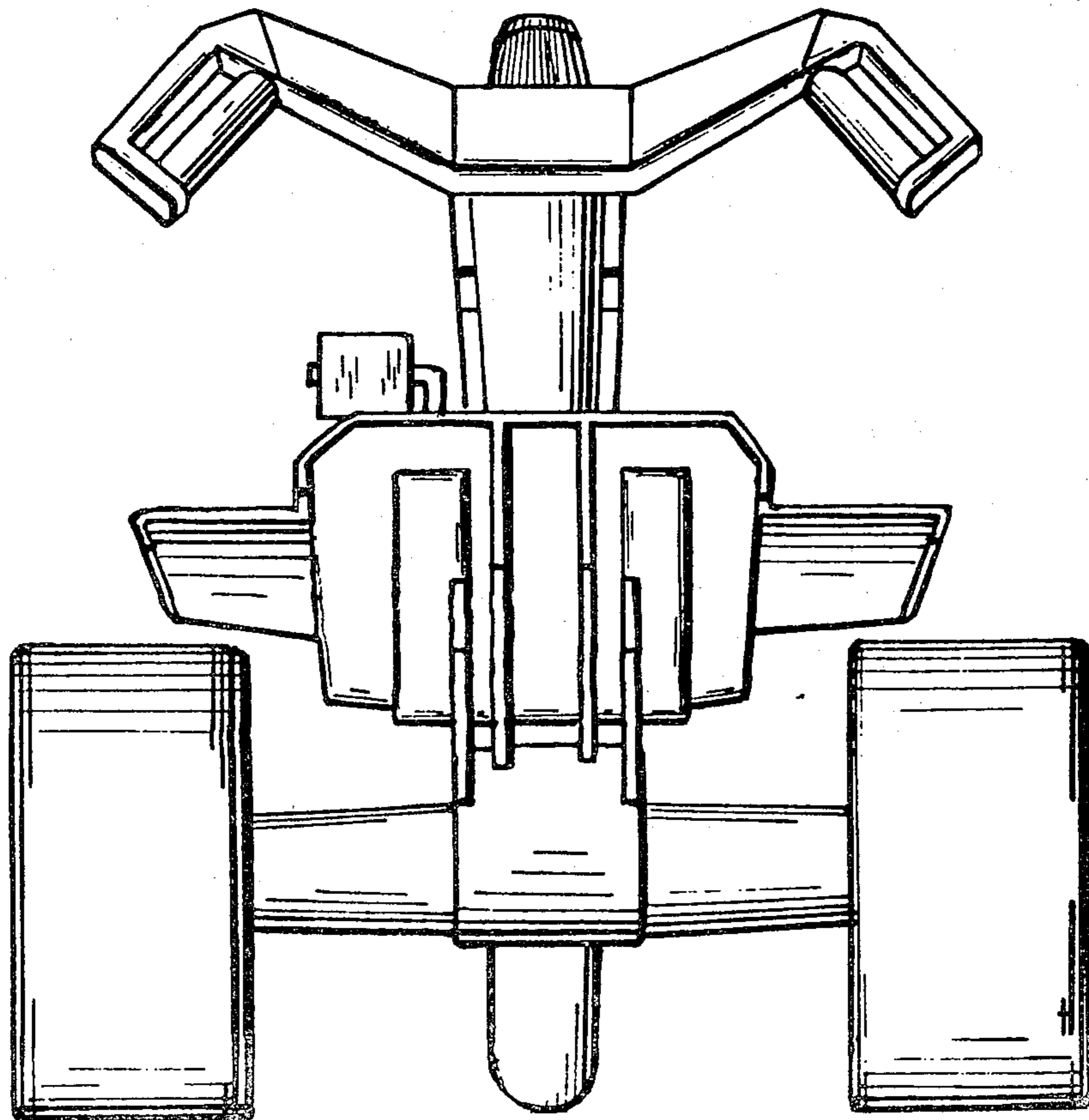


Fig. 3.

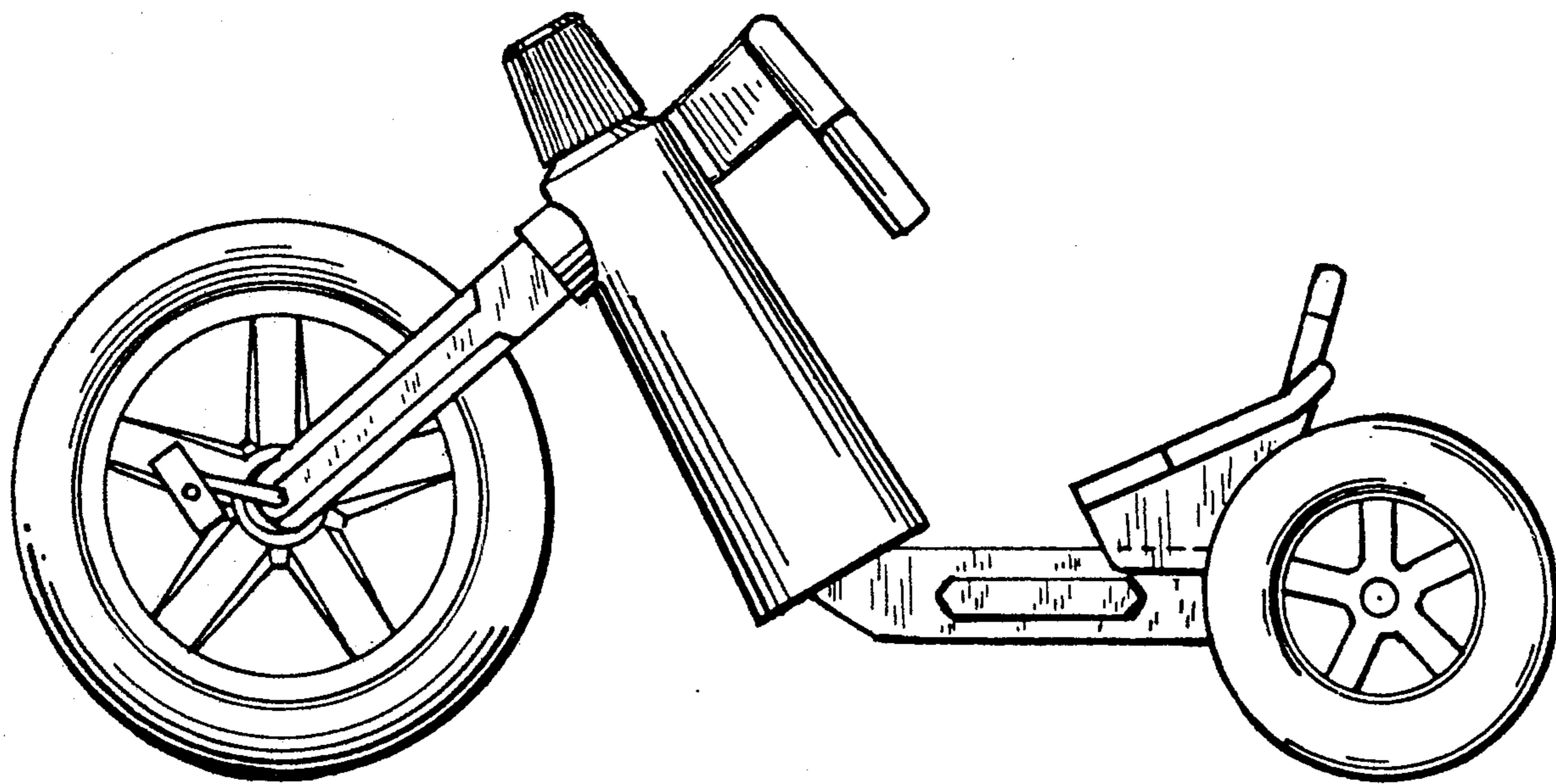


Fig. 4.

