

[54] **CONTAINER FOR CREAM-LIKE EDIBLE PRODUCTS**

[75] **Inventor:** Lorenzo Cillario, Alba, Italy

[73] **Assignee:** Ferrero S.p.A., Alba, Italy

[**] **Term:** 14 Years

[21] **Appl. No.:** 330,871

[22] **Filed:** Dec. 15, 1981

[30] **Foreign Application Priority Data**

Jun. 16, 1981 [IT] Italy 53365/81[U]
[52] **U.S. Cl.** D9/341; D9/425
[58] **Field of Search** D9/341-348,
D9/425, 426; 229/1.5 R, 2.5 R; 206/531

[56] **References Cited**

U.S. PATENT DOCUMENTS

D. 194,196 12/1962 Van Mil, Jr. D9/345
D. 216,306 12/1969 Dutch D9/345
D. 236,805 9/1975 Davis et al. D9/345
D. 265,793 8/1982 Owen D9/425
3,765,595 10/1973 Bernhardt D9/425

Primary Examiner—George P. Word
Attorney, Agent, or Firm—Bernard, Rothwell & Brown

[57] **CLAIM**

The ornamental design for a container for cream-like edible products, as shown.

DESCRIPTION

FIG. 1 is a top plan view of a container for cream like edible products showing my new design;
FIG. 2 is a right side elevational view thereof;
FIG. 3 is a front elevational view thereof;
FIG. 4 is a rear elevational view thereof;
FIG. 5 is a bottom perspective view thereof; and
FIG. 6 is a top perspective view thereof.

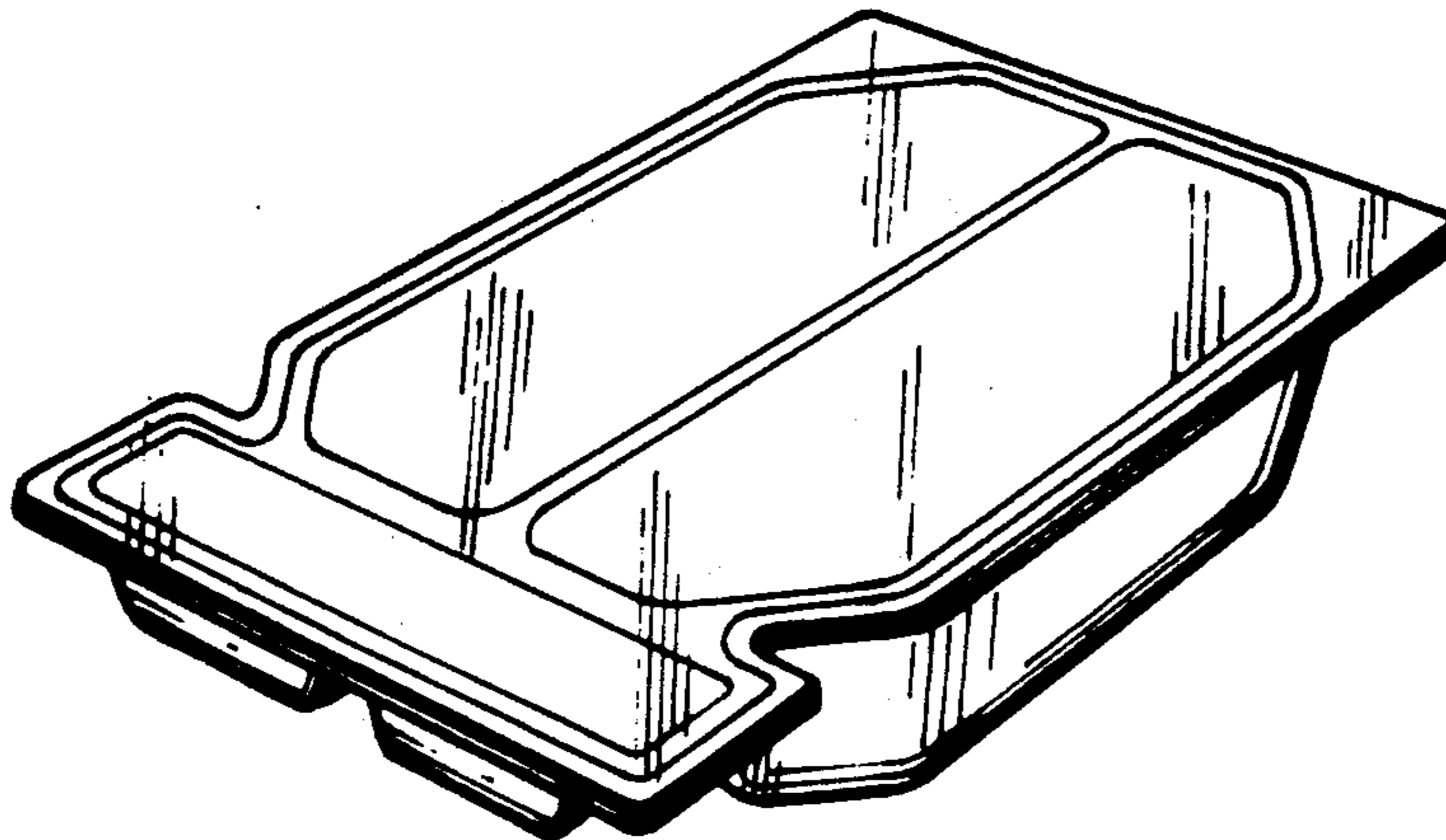


FIG. 1

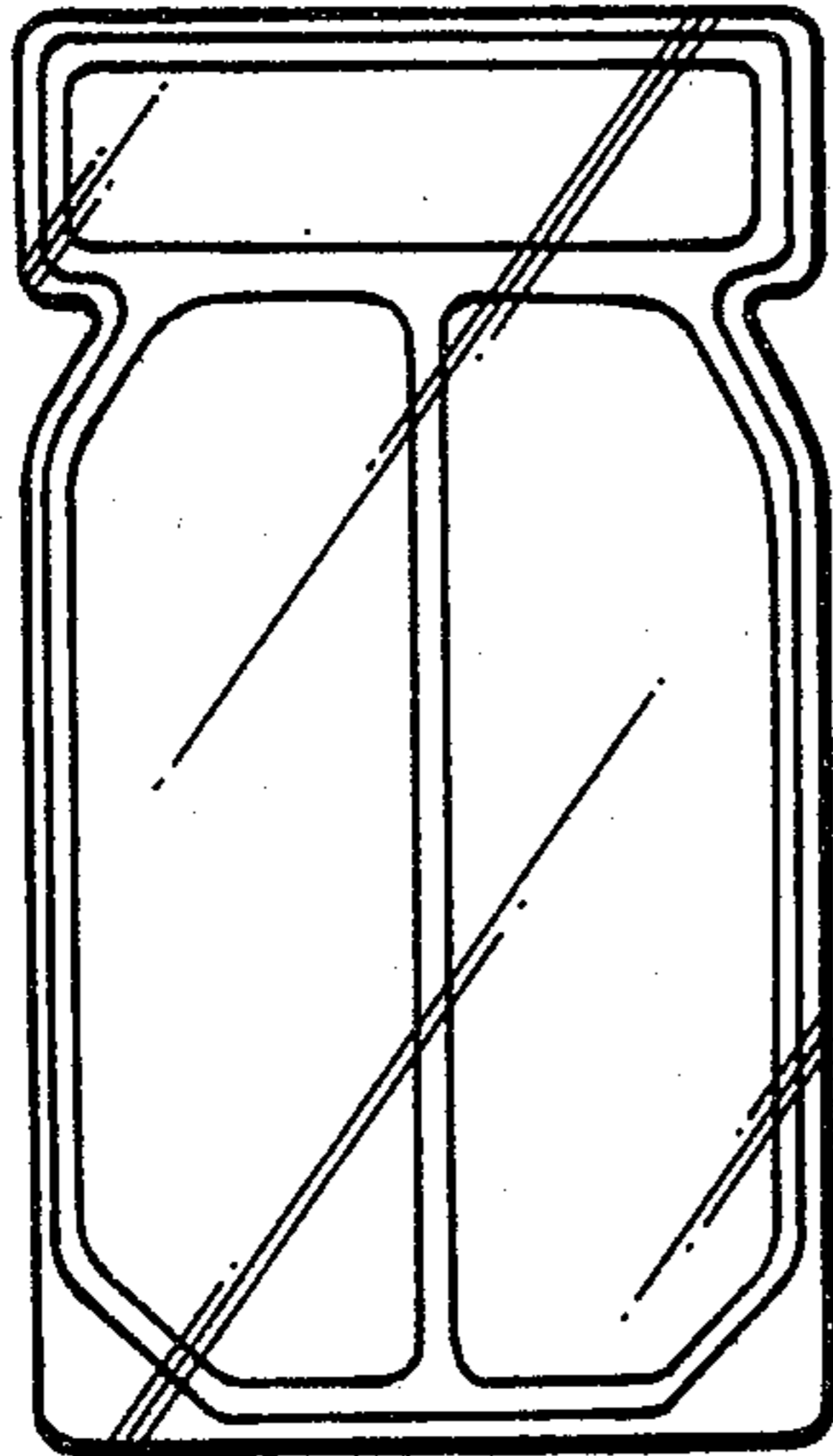


FIG. 2

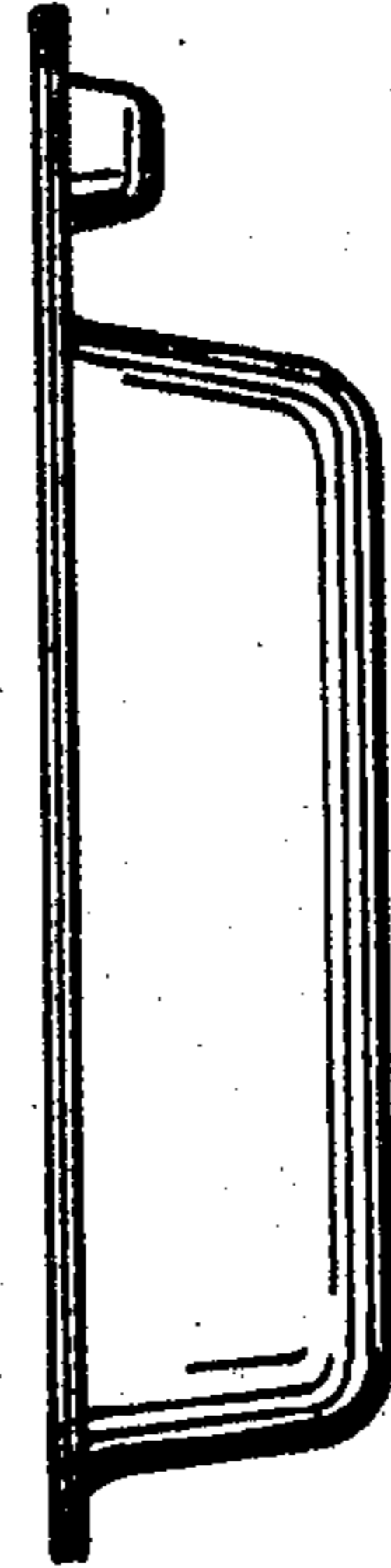


FIG. 3

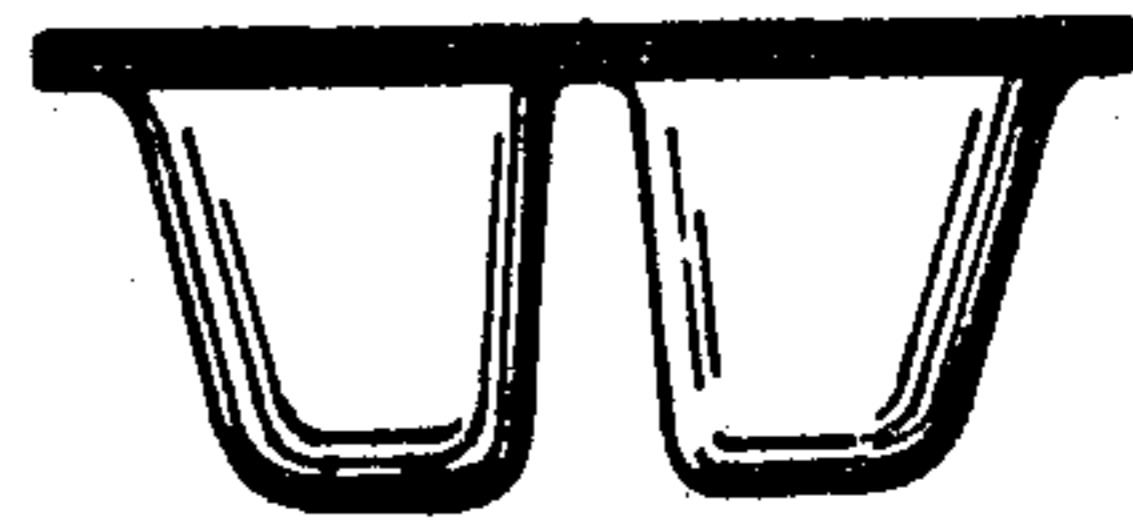


FIG. 4

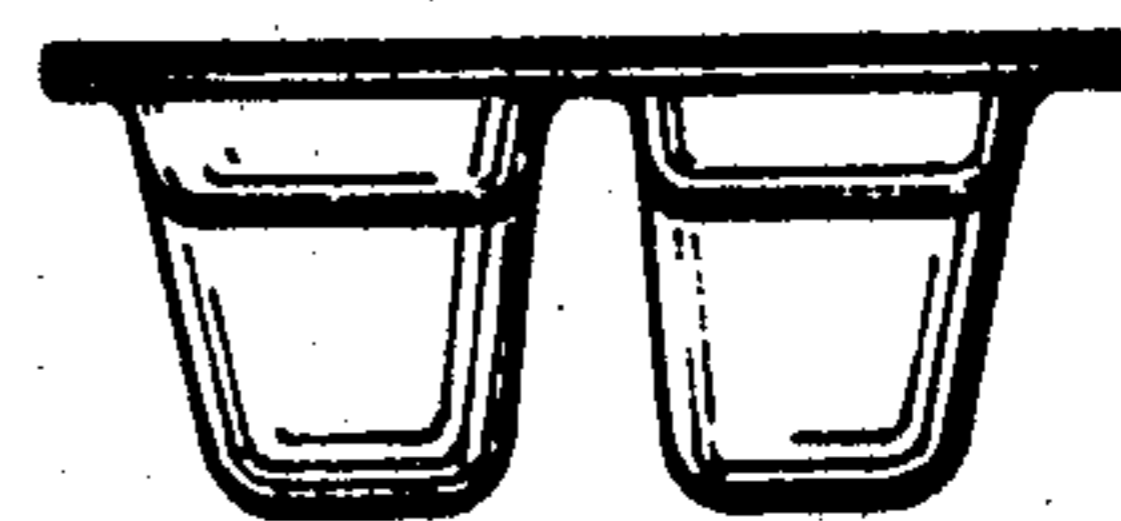


FIG. 5

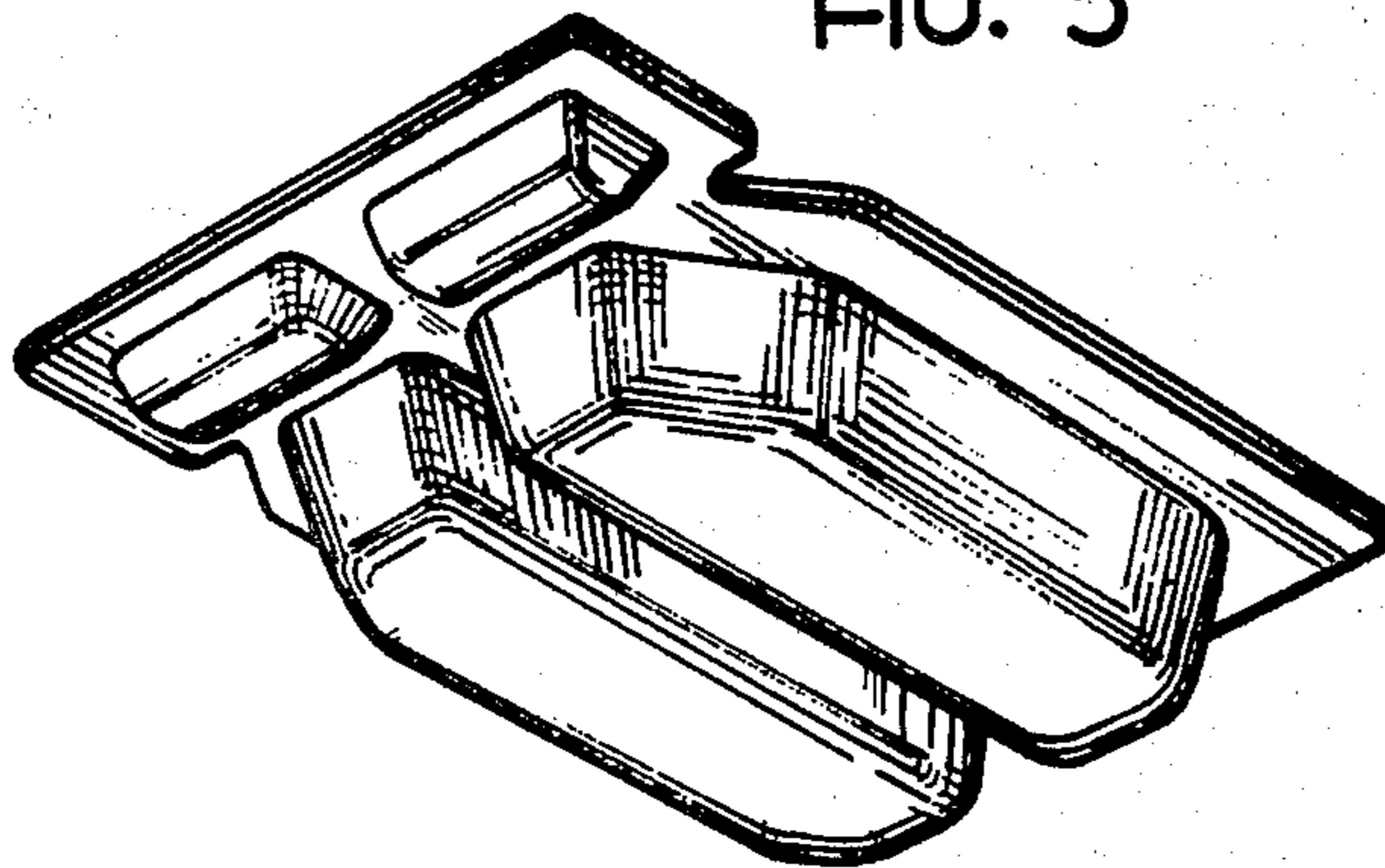


FIG. 6

