

[54] COMBINED BOTTLE AND CONTAINER

[56]

References Cited

U.S. PATENT DOCUMENTS

[75] Inventors: Franz Steigerwald, Griesheim; Karlheinz Zulauf, Höchst-Hasenroth; Armin Höllwarth, Darmstadt, all of Fed. Rep. of Germany

D. 148,048	12/1947	Burger	D9/369
D. 156,642	12/1949	Love	D9/369
D. 200,364	2/1965	Brody	D9/447
D. 201,584	7/1965	Shepler	D9/403
D. 205,555	8/1966	Goodhue	D9/369
D. 244,256	5/1977	Dekker	D9/341
D. 248,337	6/1978	Marx	D9/341 X
D. 260,607	9/1981	Stoy	D9/389
884,761	4/1908	Richard	D9/447 X

[73] Assignee: Wella AG, Darmstadt, Fed. Rep. of Germany

Primary Examiner—Robert C. Spangler
Attorney, Agent, or Firm—Michael J. Striker

[**] Term: 14 Years

[57] CLAIM

[21] Appl. No.: 329,616

The ornamental design for a combined bottle and container, substantially as shown and described.

[22] Filed: Dec. 10, 1981

DESCRIPTION

[30] Foreign Application Priority Data

Aug. 28, 1981 [DE] Fed. Rep. of Germany ... 8 MR 842

[52] U.S. Cl. D9/369; D9/341; D9/369; D9/370; D9/447

[58] Field of Search D9/337, 341, 369, 403, D9/370, 447, 389; 215/1 R, 1 C

FIG. 1 is an elevational view of a combined bottle and container showing our new design, the opposite side being the same in appearance;
FIG. 2 is an elevational view looking from the left of FIG. 1, the opposite side being the same in appearance;
FIG. 3 is a top plan view;
FIG. 4 is a bottom plan view thereof;
FIG. 5 is an exploded view thereof.

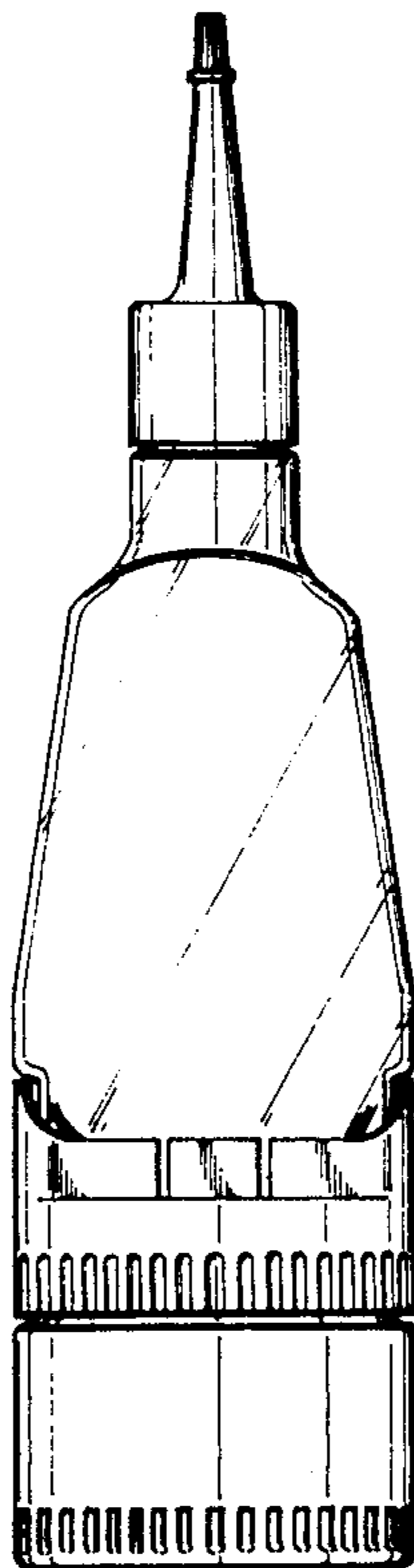


FIG-1

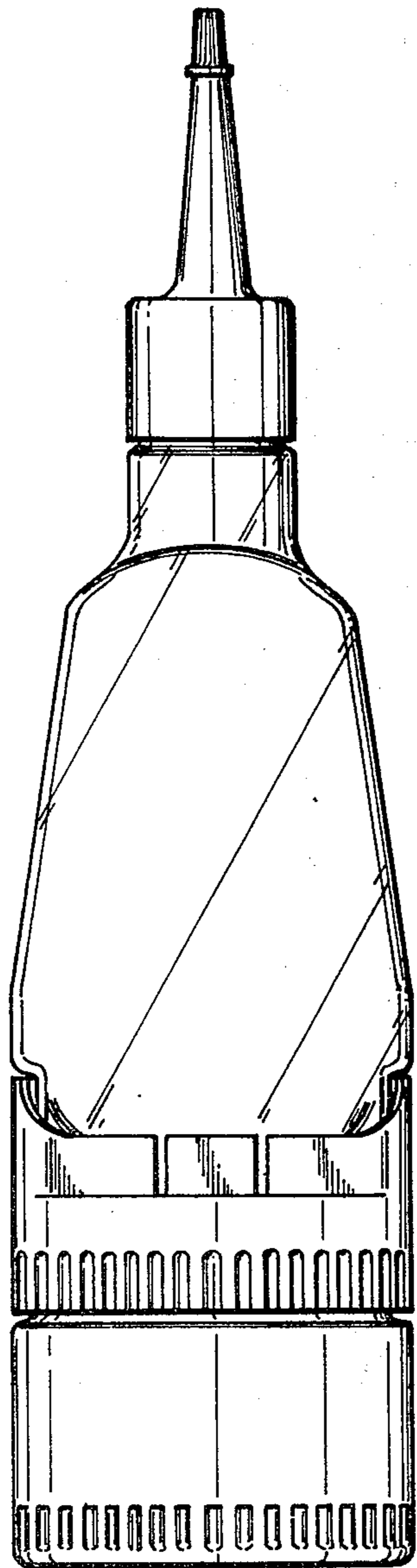


FIG-4

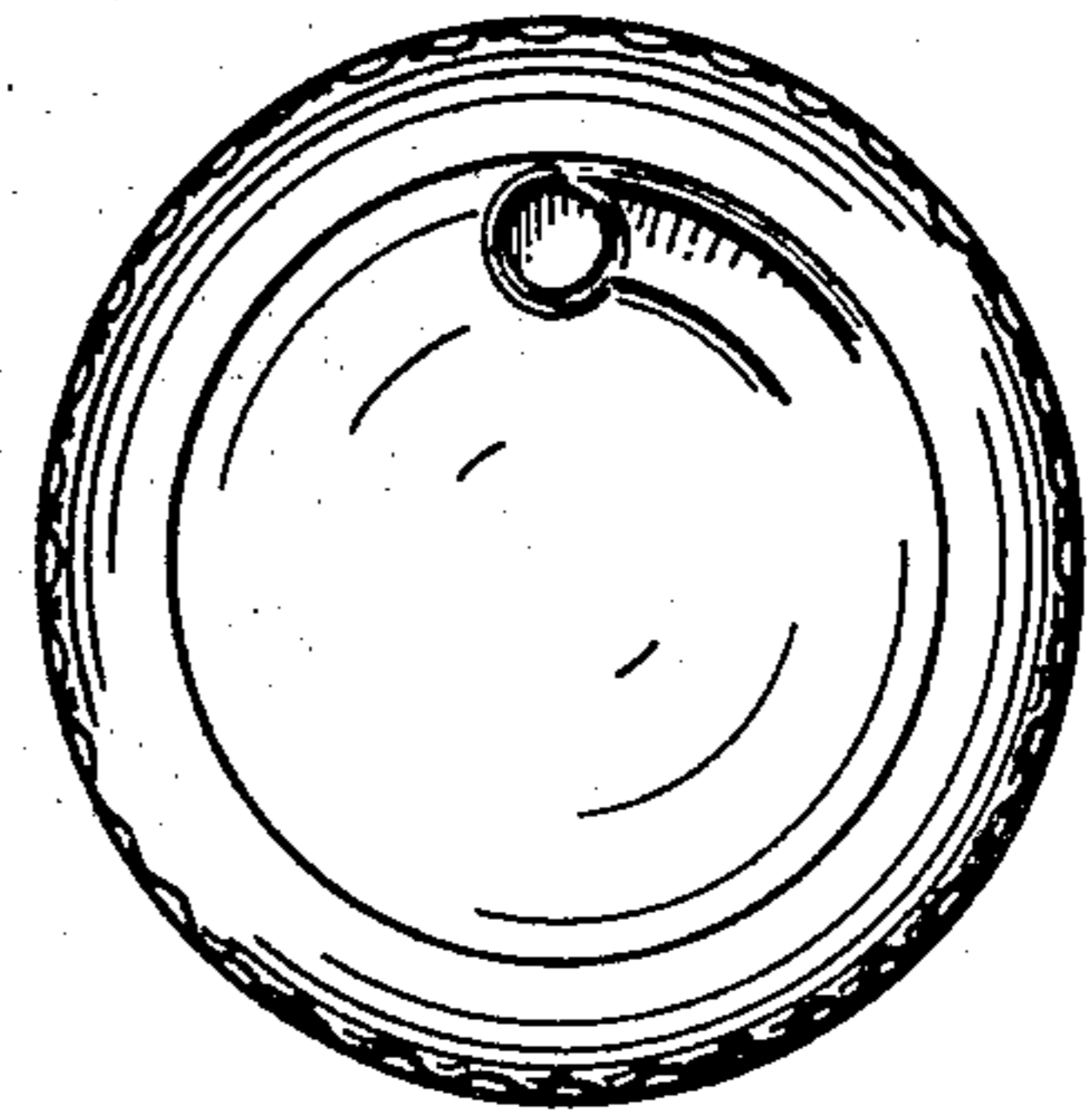


FIG-2

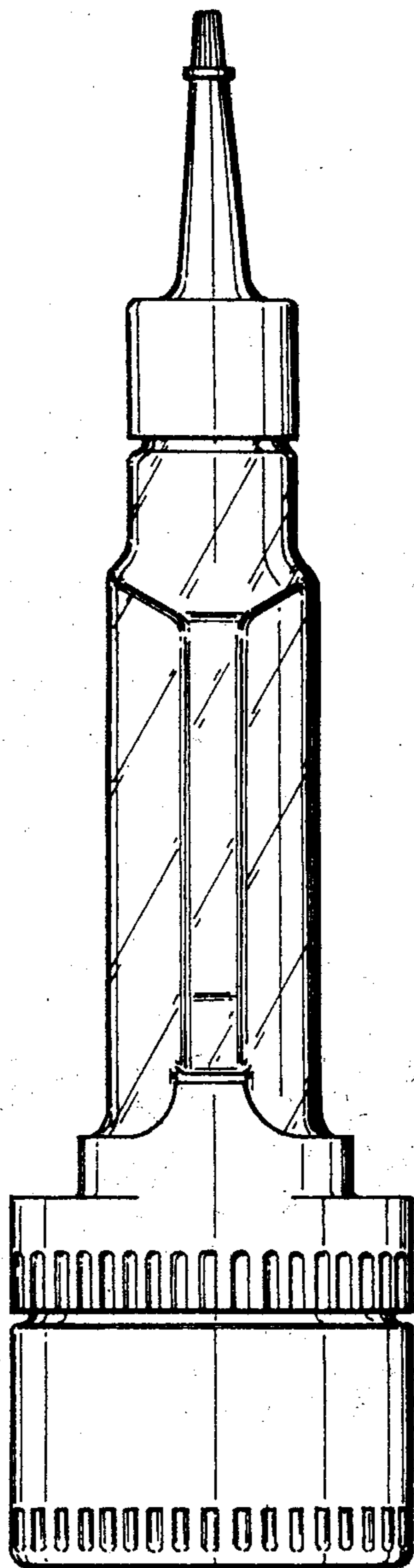


FIG-3

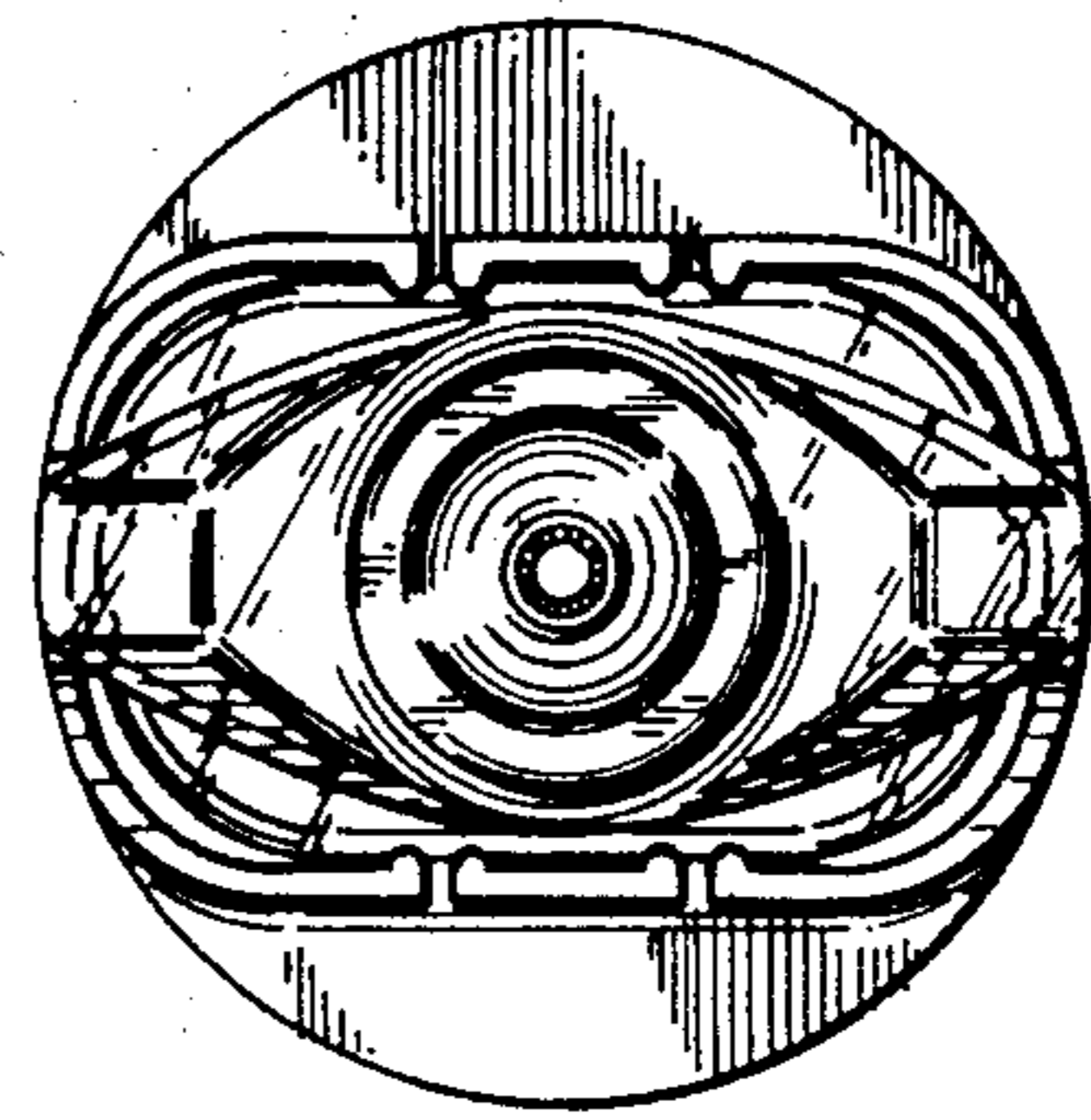


FIG-5

