

[54] PIPE SUPPORTING AND SPACING MEMBER

[75] Inventor: Isao Takei, Yokohama, Japan

[73] Assignees: Nichiei Distribution Systems, Inc., Kawasaki; Nippon Kokan Kabushiki Kaisha, Tokyo, both of Japan

[**] Term: 14 Years

[21] Appl. No.: 276,914

[22] Filed: Jun. 24, 1981

[30] Foreign Application Priority Data

Dec. 25, 1980 [JP] Japan 55-054267

[52] U.S. Cl. D8/354

[58] Field of Search D8/330, 354; 248/68 R, 248/68 CB; 211/60 R, 177, 194, 74; D9/456; D7/99, 71; 206/443, 505, 564

[56] References Cited

U.S. PATENT DOCUMENTS

- D. 214,022 5/1969 Ringlen D9/456
- D. 241,107 8/1976 Ferrara, Jr. et al. D7/71
- 1,980,930 11/1934 Reyniers 211/74

- 3,590,752 7/1971 De Pew 211/60 R
- 3,606,023 9/1971 Edmunds 211/74
- 4,030,540 6/1977 Roma 248/68 CB
- 4,124,122 11/1978 Emmitt 211/74
- 4,195,732 1/1980 Bell 206/443

FOREIGN PATENT DOCUMENTS

2001630 1/1971 Fed. Rep. of Germany ... 248/68 CB

Primary Examiner—Wallace R. Burke
Assistant Examiner—Horace B. Fay
Attorney, Agent, or Firm—Darby & Darby

[57] CLAIM

The ornamental design for a pipe supporting and spacing member, as shown and described.

DESCRIPTION

FIG. 1 is a top plan view of a pipe supporting and spacing member showing my new design;
FIG. 2 is a front view thereof;
FIG. 3 is a bottom plan view thereof;
FIG. 4 is a right side end view thereof;
FIG. 5 is a fragmentary perspective view thereof, with the showing in broken lines being for illustrative purposes only.

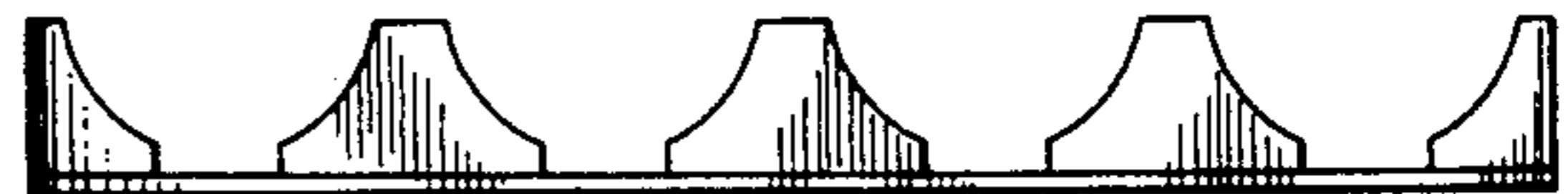
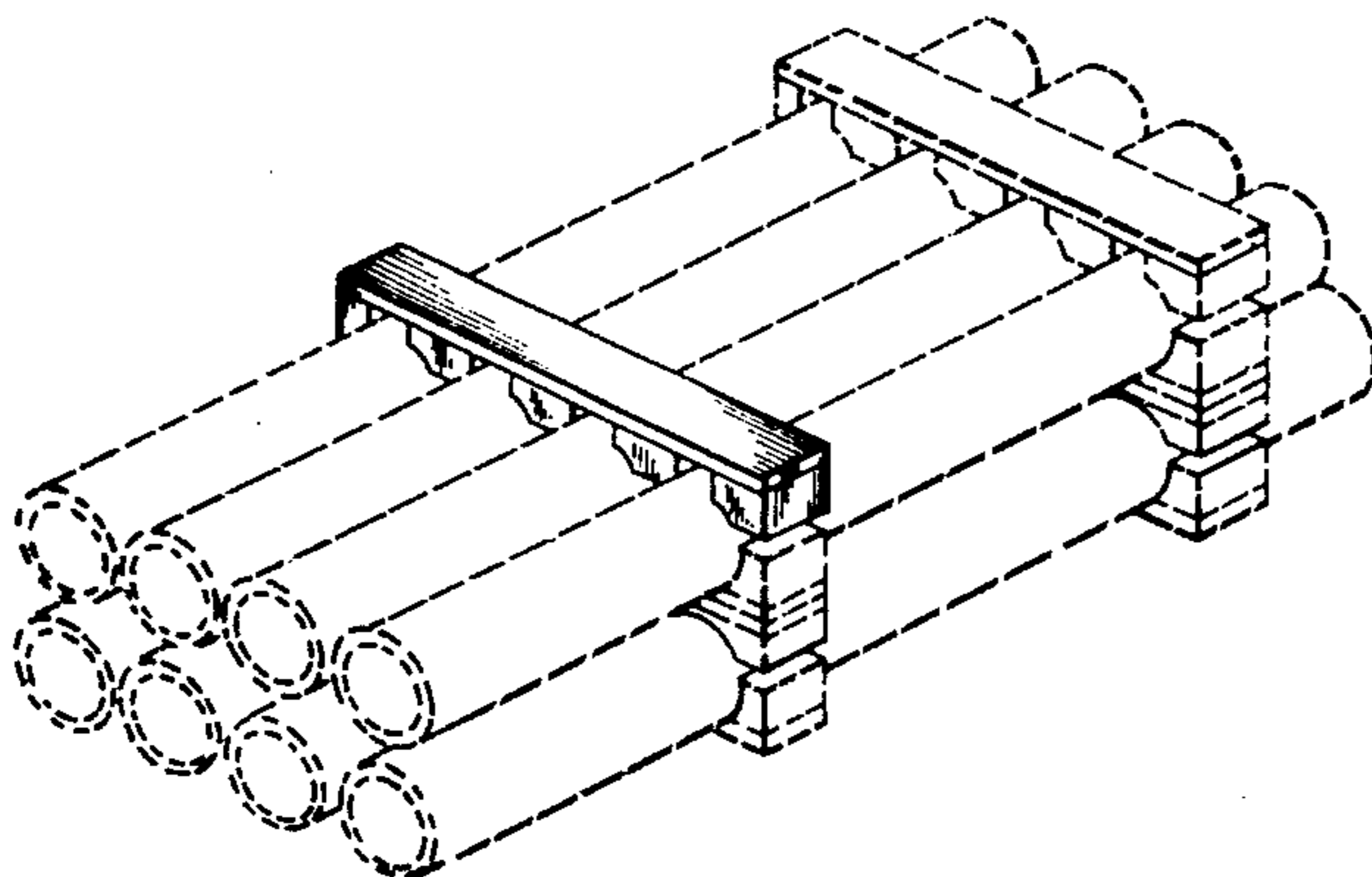


Fig. 1



Fig. 2

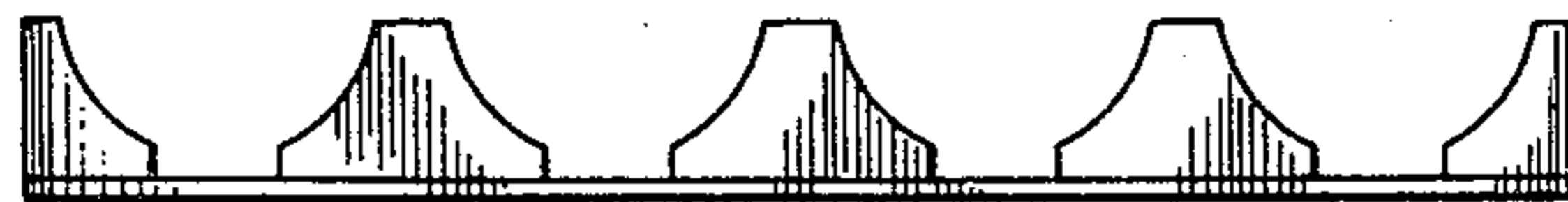


Fig. 4



Fig. 3



Fig. 5

