

[54] HOLDER FOR AN ABRASIVE SURFACE

[76] Inventor: Frank F. Ali, 2973 Pascal Dr., Fairborn, Ohio 45324

[**] Term: 14 Years

[21] Appl. No.: 255,702

[22] Filed: Apr. 20, 1981

[52] U.S. Cl. D8/71; D8/90; D32/49

[58] Field of Search 51/391, 392; D8/90, D8/71, 14, 16; D32/40, 46, 48, 49, 51, 52

[56] References Cited

U.S. PATENT DOCUMENTS

D. 171,741	3/1954	Anheuser	D8/90
D. 240,705	7/1976	Franzen et al.	D8/90
D. 242,896	1/1977	Poliquin	D8/90
289,879	12/1883	Almond	51/392
500,504	6/1893	Moore	51/392
2,275,766	3/1942	Johnson	51/391 X

3,192,678	7/1965	Buratti	51/392 X
3,606,709	9/1971	Countryman	D8/90 X
3,777,444	12/1973	Dunn	D8/90 X

FOREIGN PATENT DOCUMENTS

118200	2/1926	Switzerland	51/392
--------	--------	-------------	-------	--------

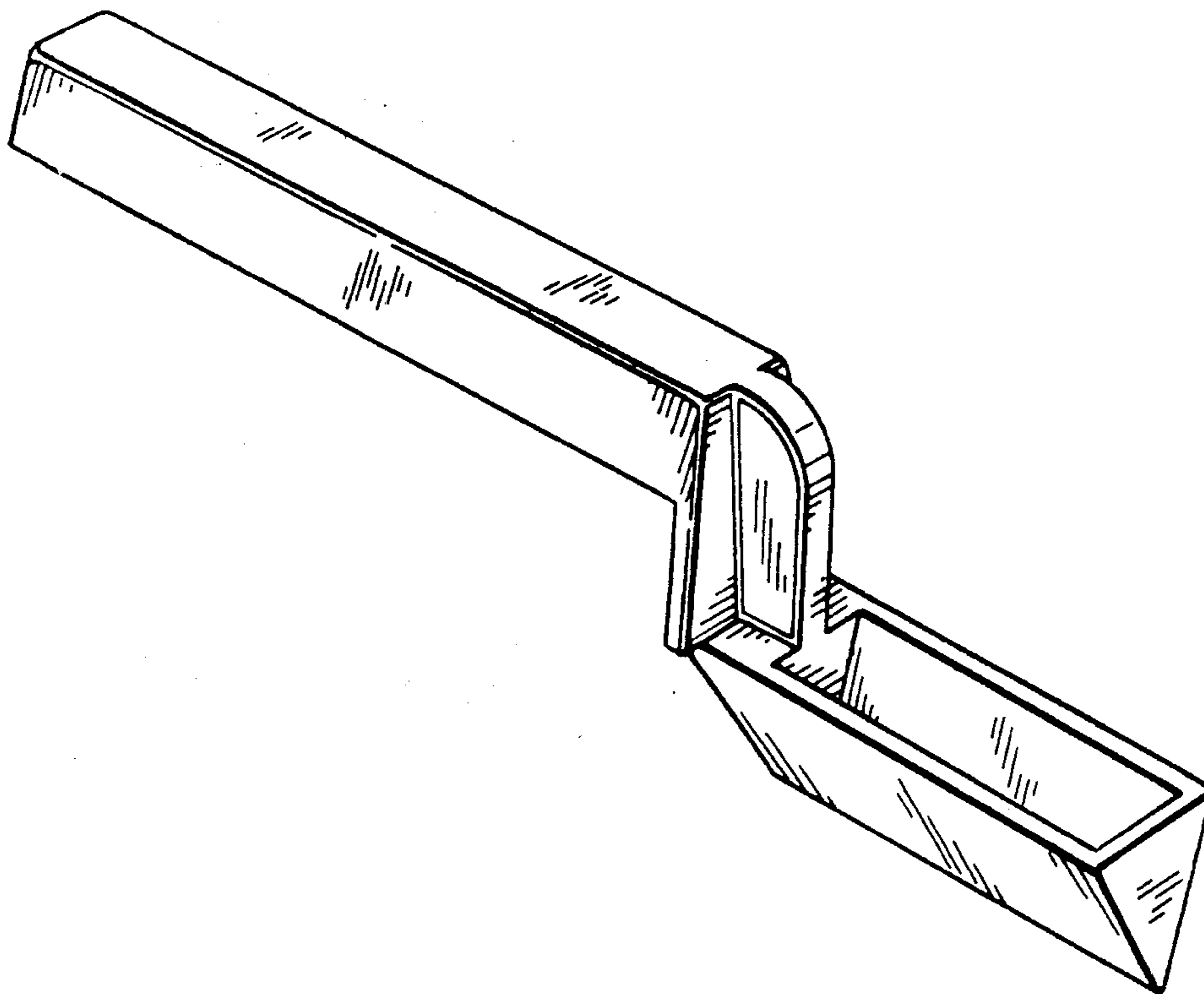
Primary Examiner—Catherine E. Kemper
Attorney, Agent, or Firm—Jerome P. Bloom

[57] CLAIM

The ornamental design for a holder for an abrasive surface, as shown.

DESCRIPTION

FIG. 1 is a perspective view of a holder for an abrasive surface, showing my new design;
FIG. 2 is a right end elevational view thereof;
FIG. 3 is a side elevational view thereof;
FIG. 4 is a left end elevational view thereof;
FIG. 5 is a top plan view thereof; and
FIG. 6 is a bottom plan view thereof.



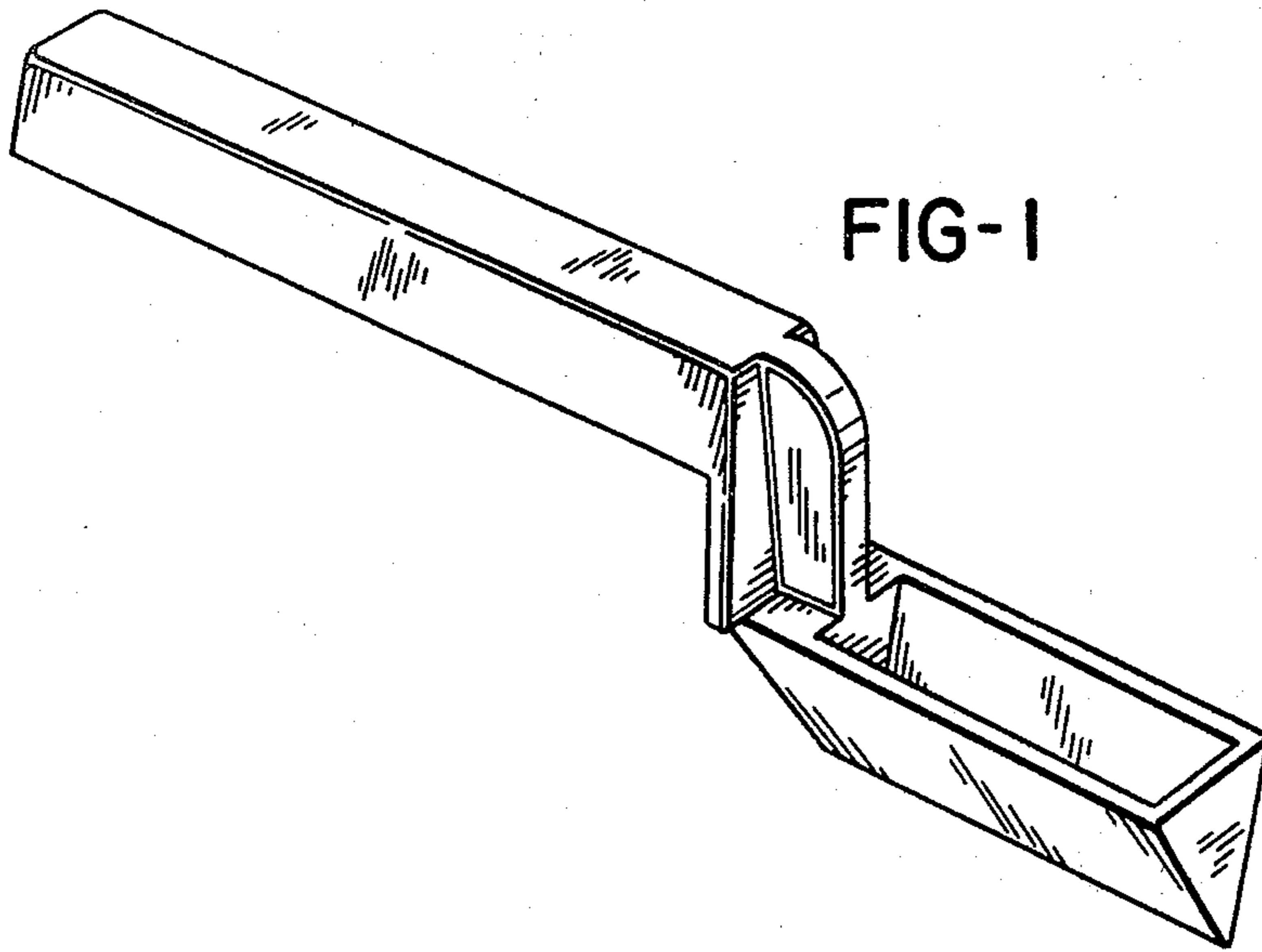


FIG-1

FIG-2

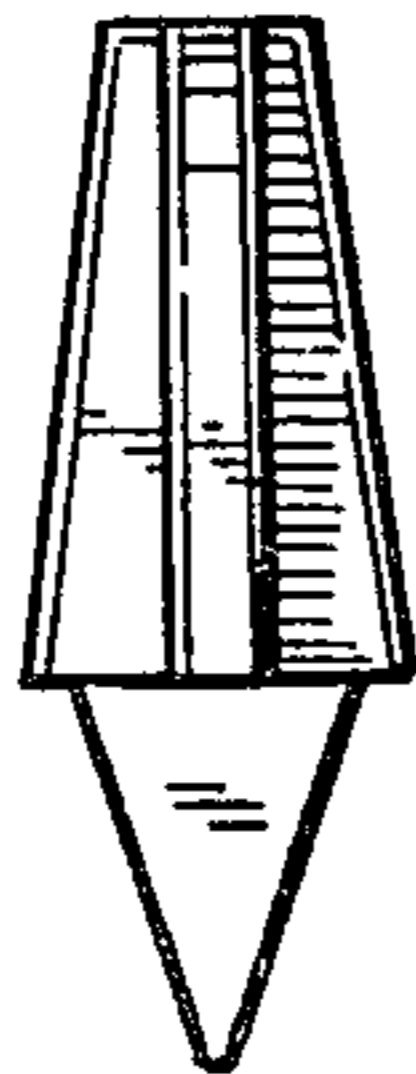


FIG-3

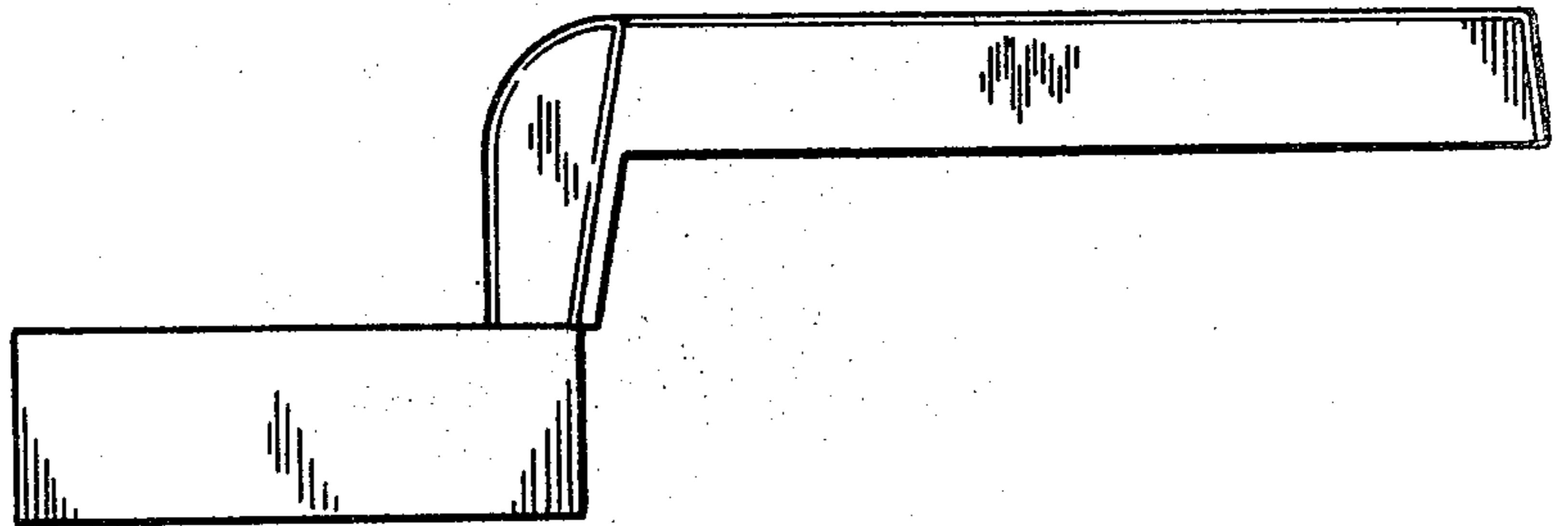


FIG-4



FIG-5

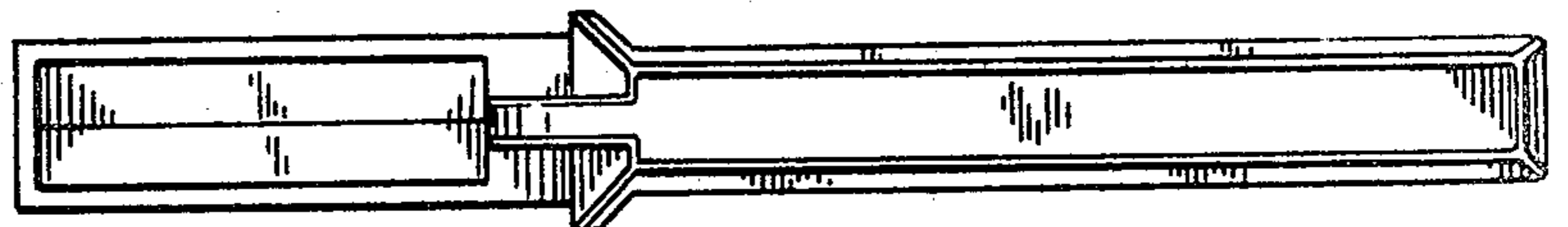


FIG-6

