

[54] ADJUSTABLE TABLE

[76] Inventor: Thomas Koves, 645 N. Cherokee Ave., Los Angeles, Calif. 90004

[**] Term: 14 Years

[21] Appl. No.: 348,813

[22] Filed: Feb. 16, 1982

[52] U.S. Cl. D6/178

[58] Field of Search D6/27, 146, 175, 177, D6/178, 179; 108/115, 116, 144

[56] References Cited

U.S. PATENT DOCUMENTS

D. 177,795	5/1956	Cole	D6/178
D. 221,386	8/1971	Babbs et al.	D6/178
D. 262,849	2/1982	Schoenig	D6/178
3,211,113	10/1965	Randall	D6/178 X
4,315,466	2/1982	Boerigter	108/144 X

Primary Examiner—Bruce W. Dunkins
Attorney, Agent, or Firm—Allan M. Shapiro

[57] CLAIM

The ornamental design for an adjustable table, substantially as shown and described.

DESCRIPTION

FIG. 1 is a side elevational view of an adjustable table, showing my new design; the opposite side, not shown, is the mirror image thereof;

FIG. 2 is a side elevational view thereof showing the top in raised position;

FIG. 3 is a front elevational view thereof as seen from the left in FIG. 1;

FIG. 4 is a side elevational view thereof with the legs extended;

FIG. 5 is a rear elevational view thereof as seen from the right in FIG. 2; and

FIG. 6 is a plan view as seen from the top in FIG. 1.

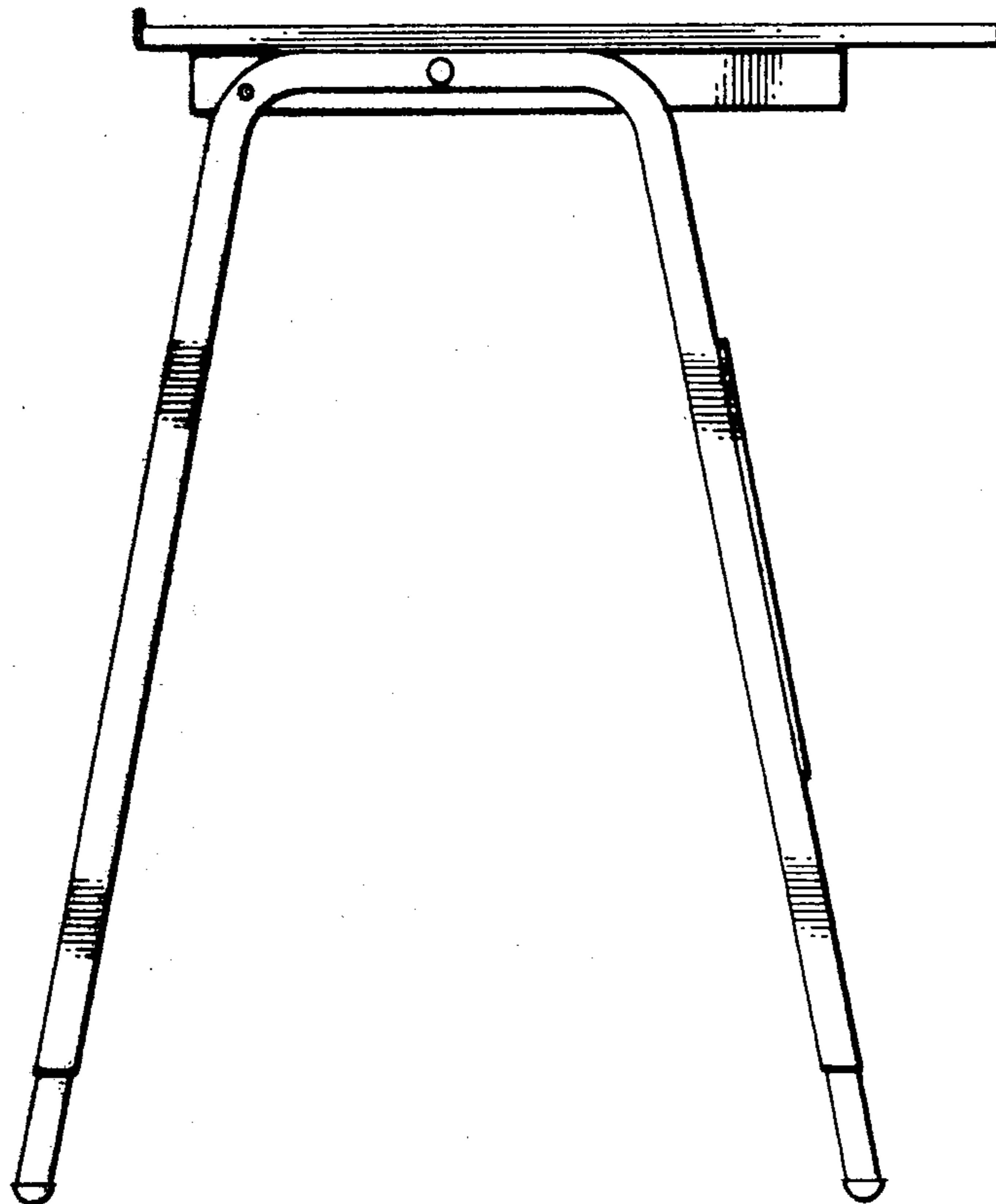


FIG. 1

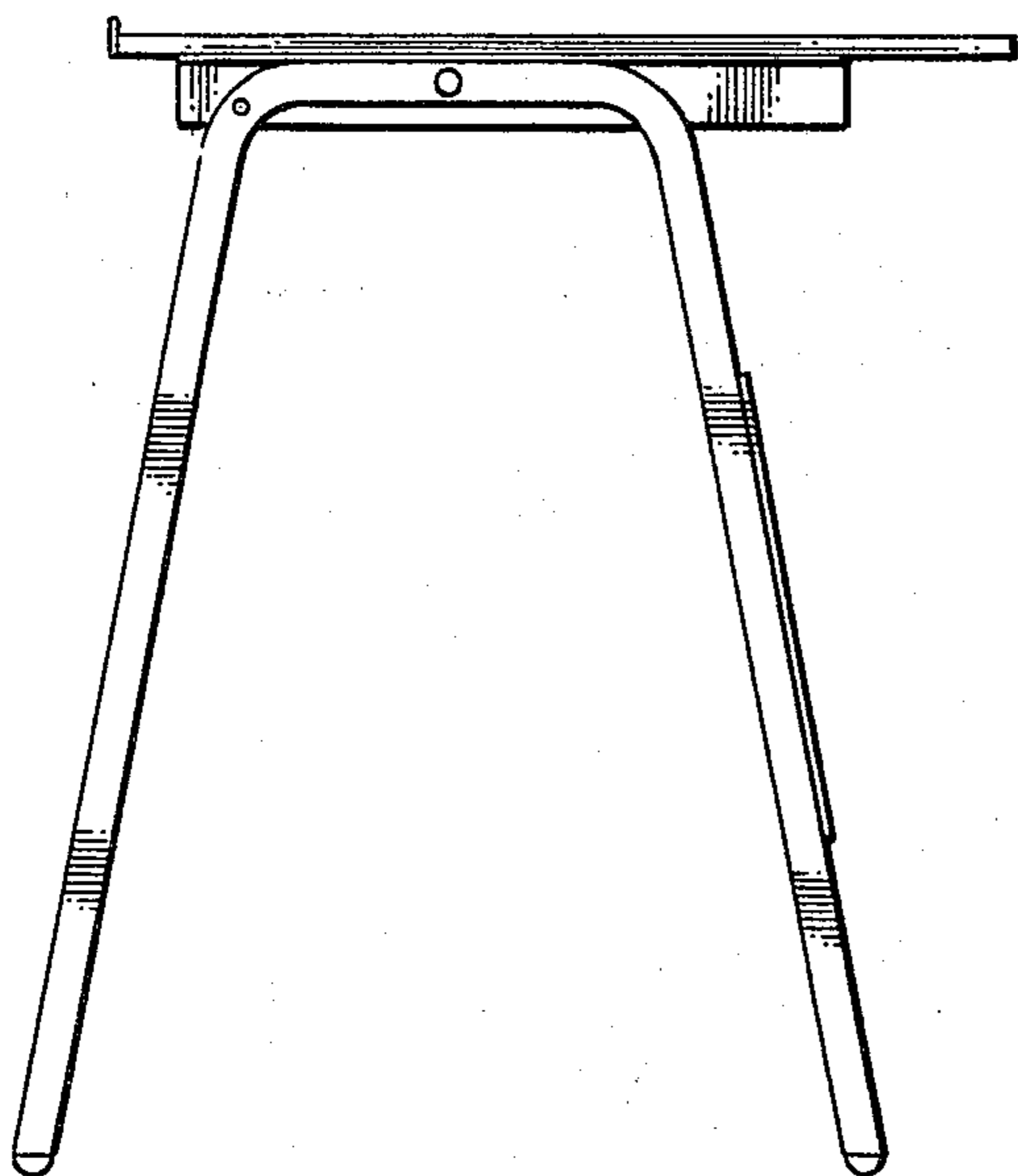


FIG. 2

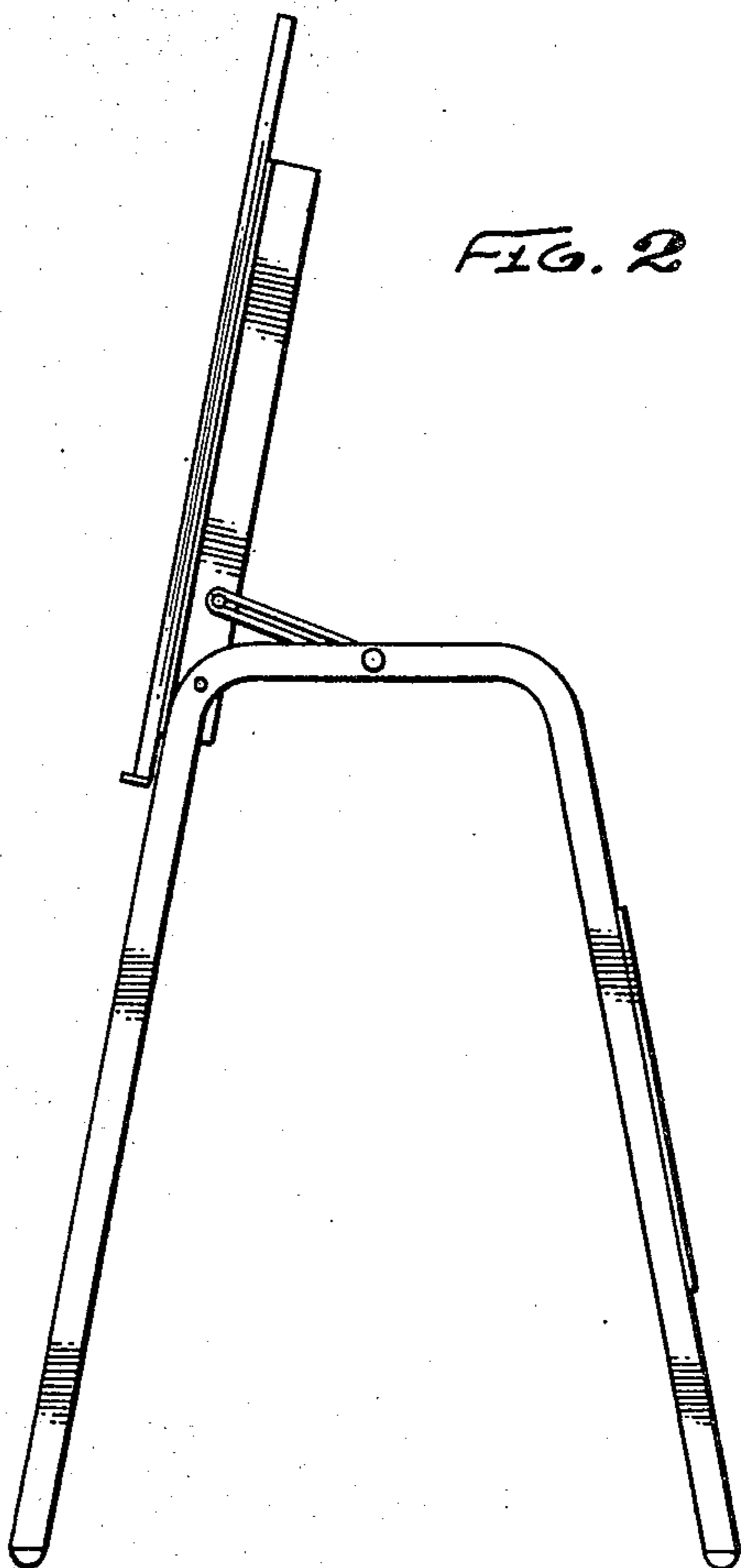


FIG. 3

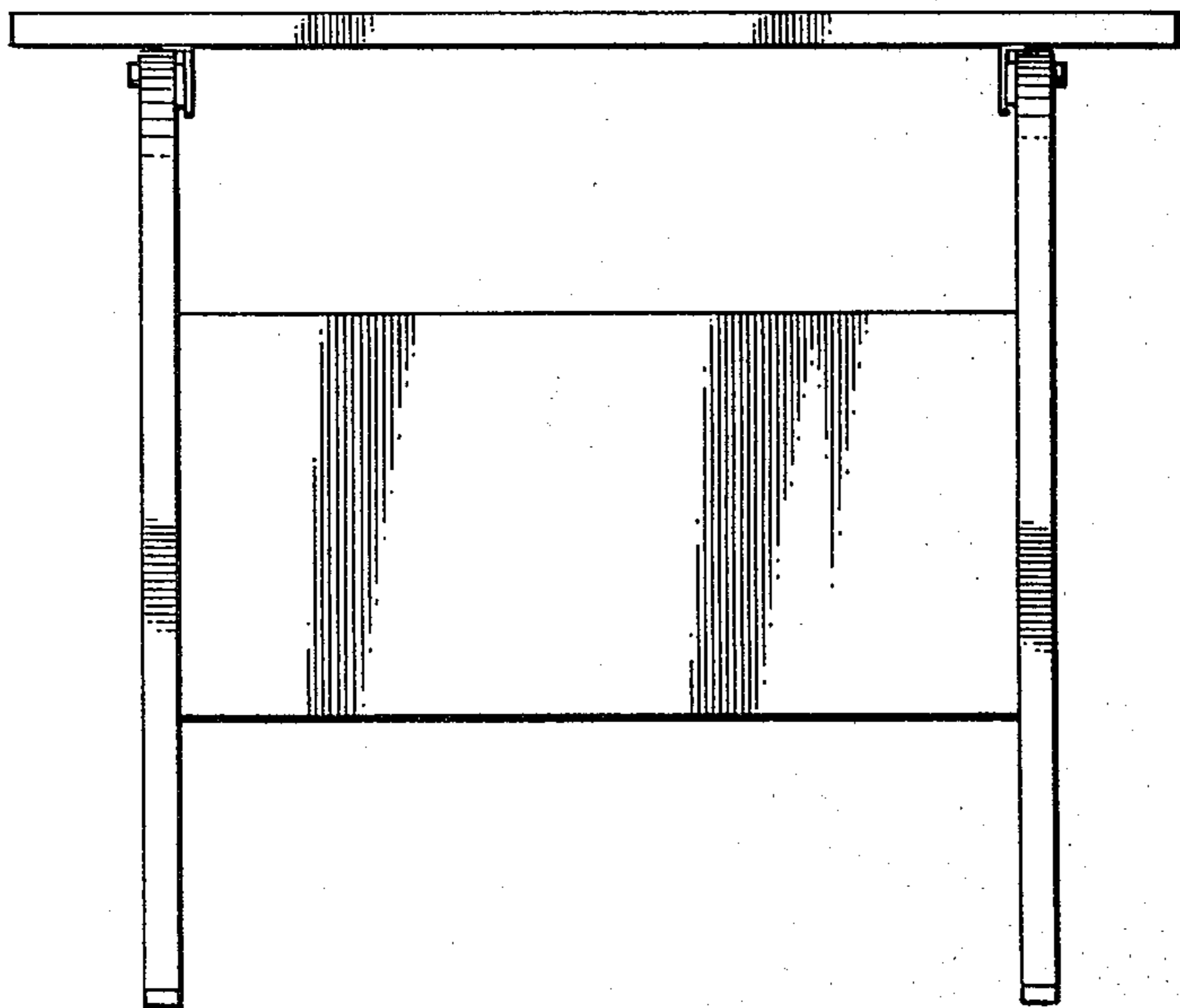


FIG. 4

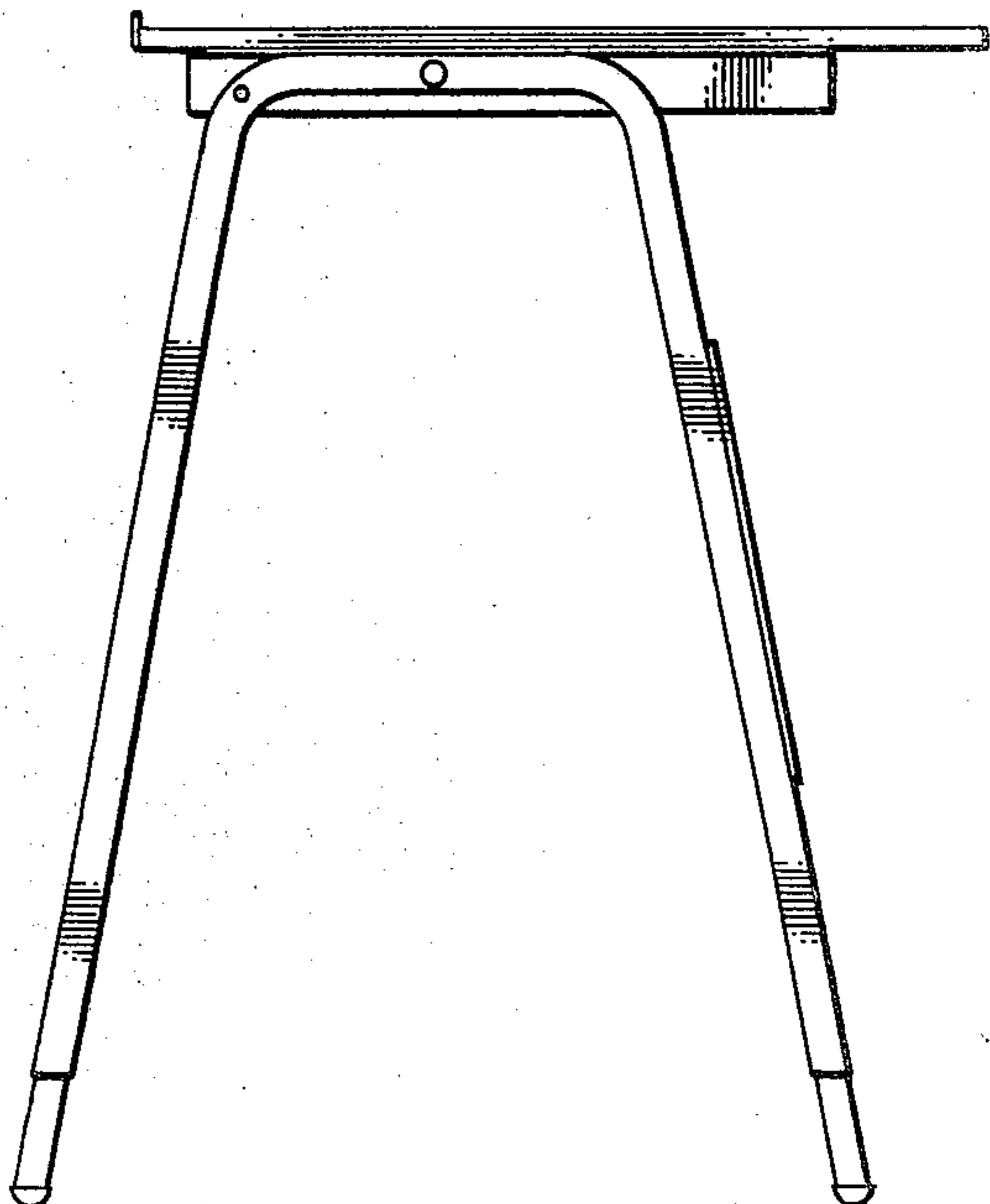


FIG. 5

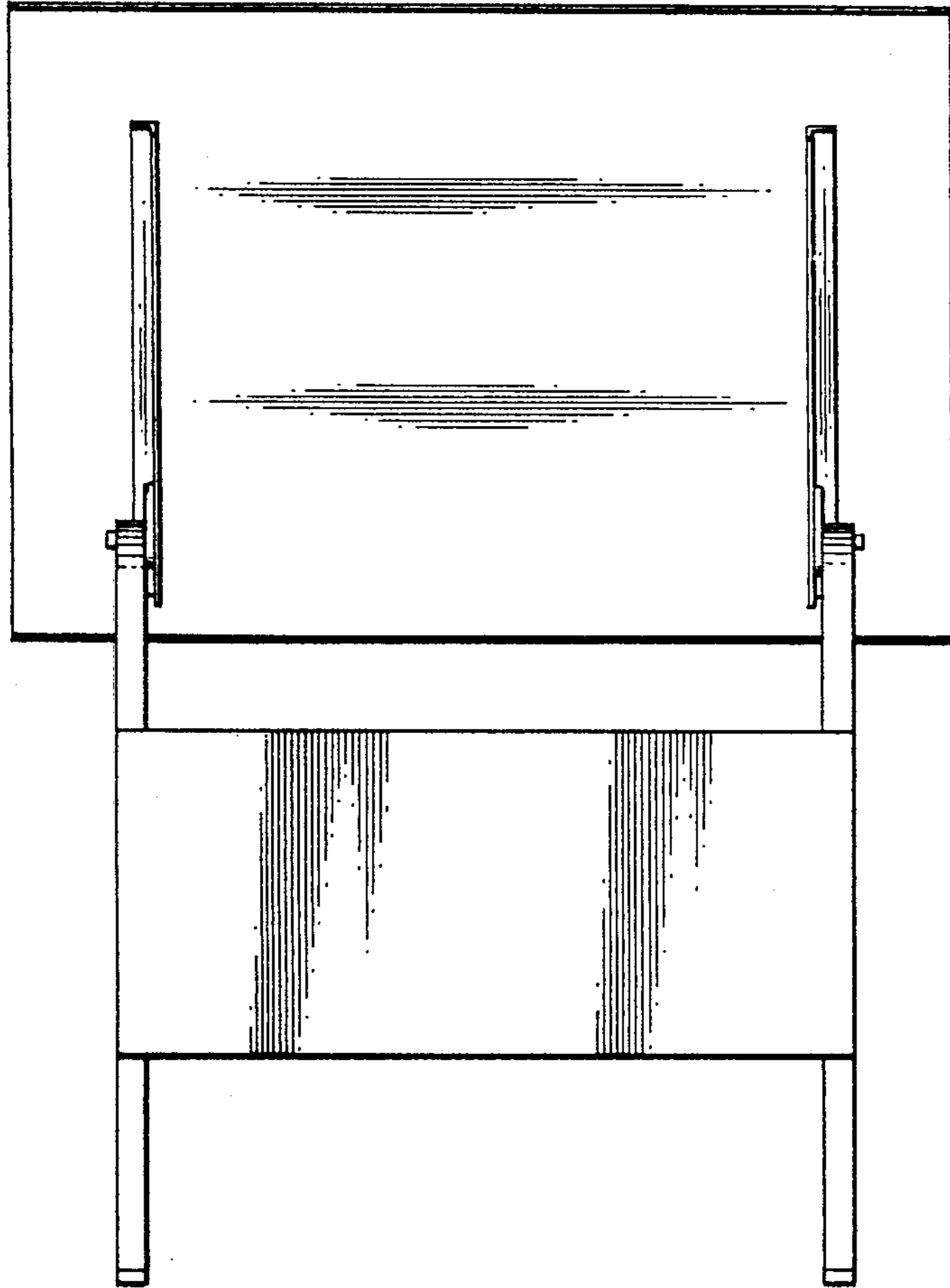


FIG. 6

