

- [54] WALL TABLE
- [75] Inventor: Leon Rosen, Scarsdale, N.Y.
- [73] Assignee: The Pace Collection, Inc., Long Island City, N.Y.
- [**] Term: 14 Years
- [21] Appl. No.: 353,086
- [22] Filed: Mar. 1, 1982
- [52] U.S. Cl. D6/177
- [58] Field of Search D6/27, 146, 177, 178, D6/179, 145, 176

D. 260,713 9/1981 Potucek D6/177

OTHER PUBLICATIONS

Interiors, Jan. 1968, p. 127, Table top right by Rosen.

Primary Examiner—Bruce W. Dunkins
Attorney, Agent, or Firm—Darby & Darby

[57] CLAIM

The ornamental design for a wall table, as shown and described.

DESCRIPTION

FIG. 1 is a perspective view of a wall table showing my new design;

FIG. 2 is a top plan view, the bottom view being a mirror image thereof;

FIG. 3 is a front view thereof;

FIG. 4 is a left side view, the right side view being a mirror image thereof; and

FIG. 5 is a rear view.

[56] References Cited

U.S. PATENT DOCUMENTS

- D. 183,617 9/1958 Klein et al. D6/145
- D. 240,185 6/1976 Rosen D6/176
- D. 240,419 7/1976 Cooke D6/177 X
- D. 248,073 6/1978 Schneider D6/177

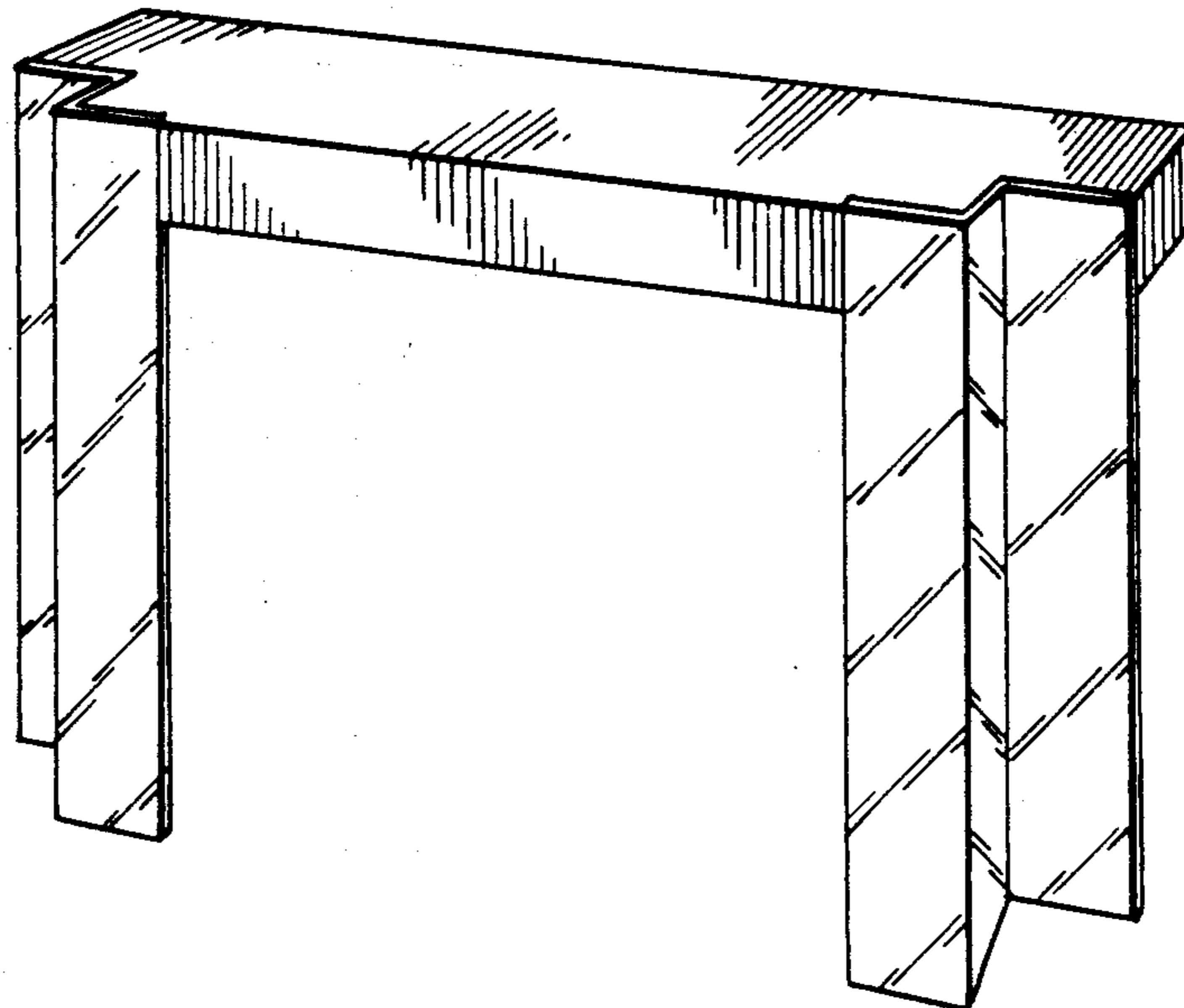


FIG. 1

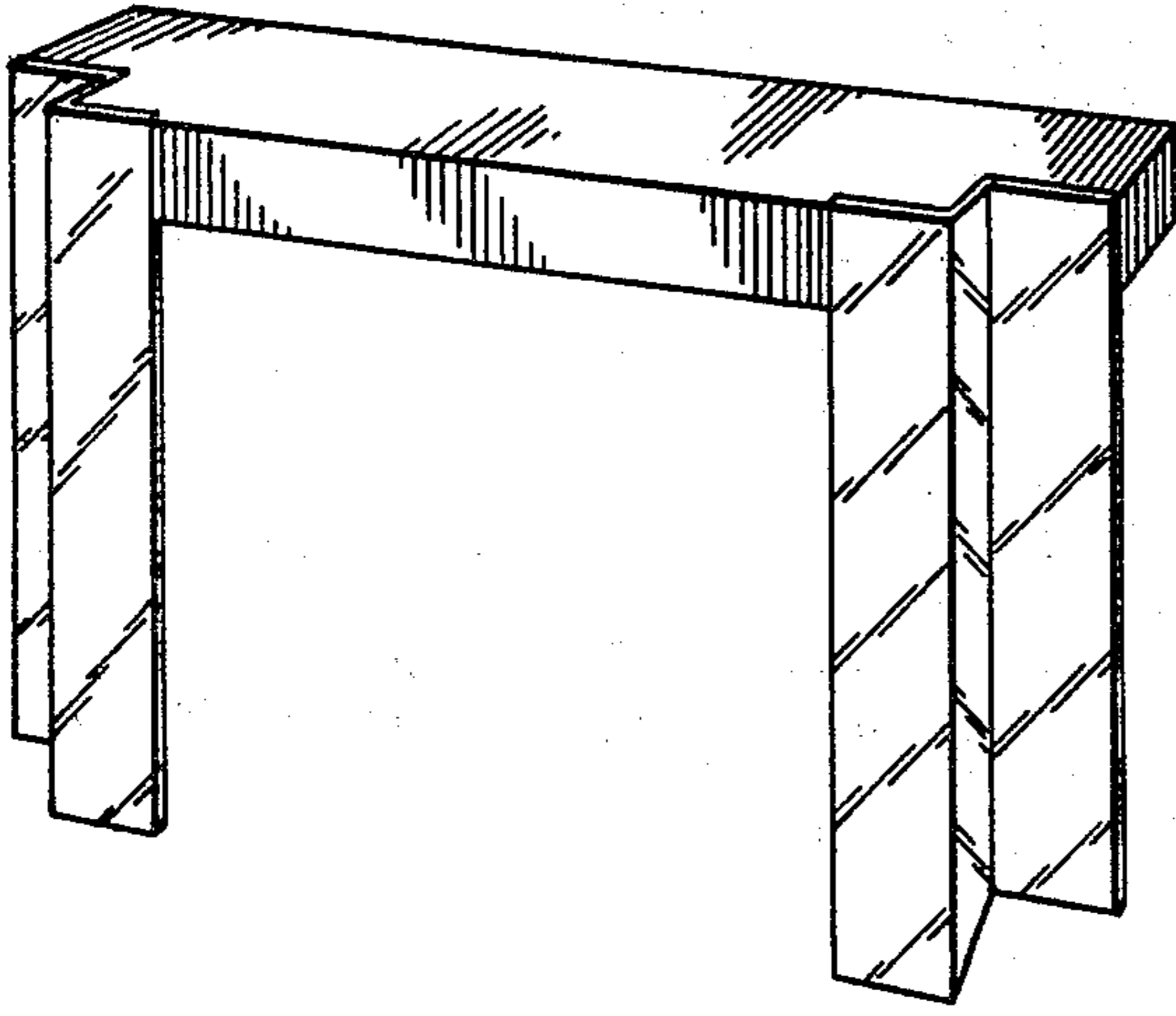


FIG. 2

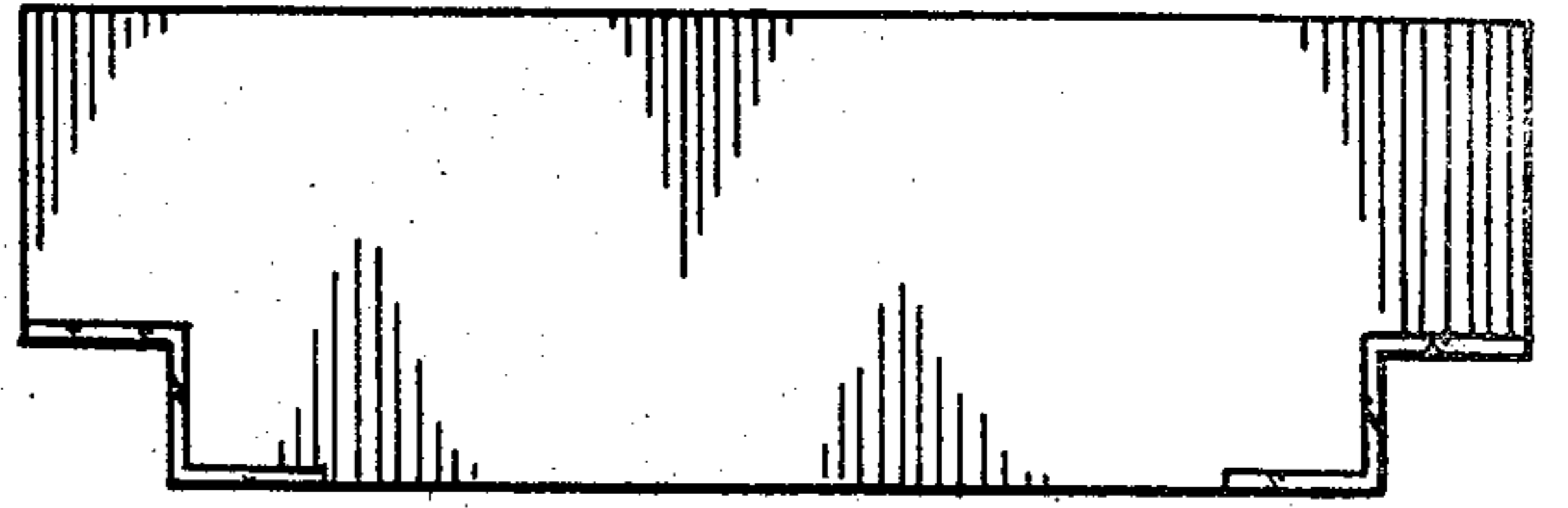


FIG. 3

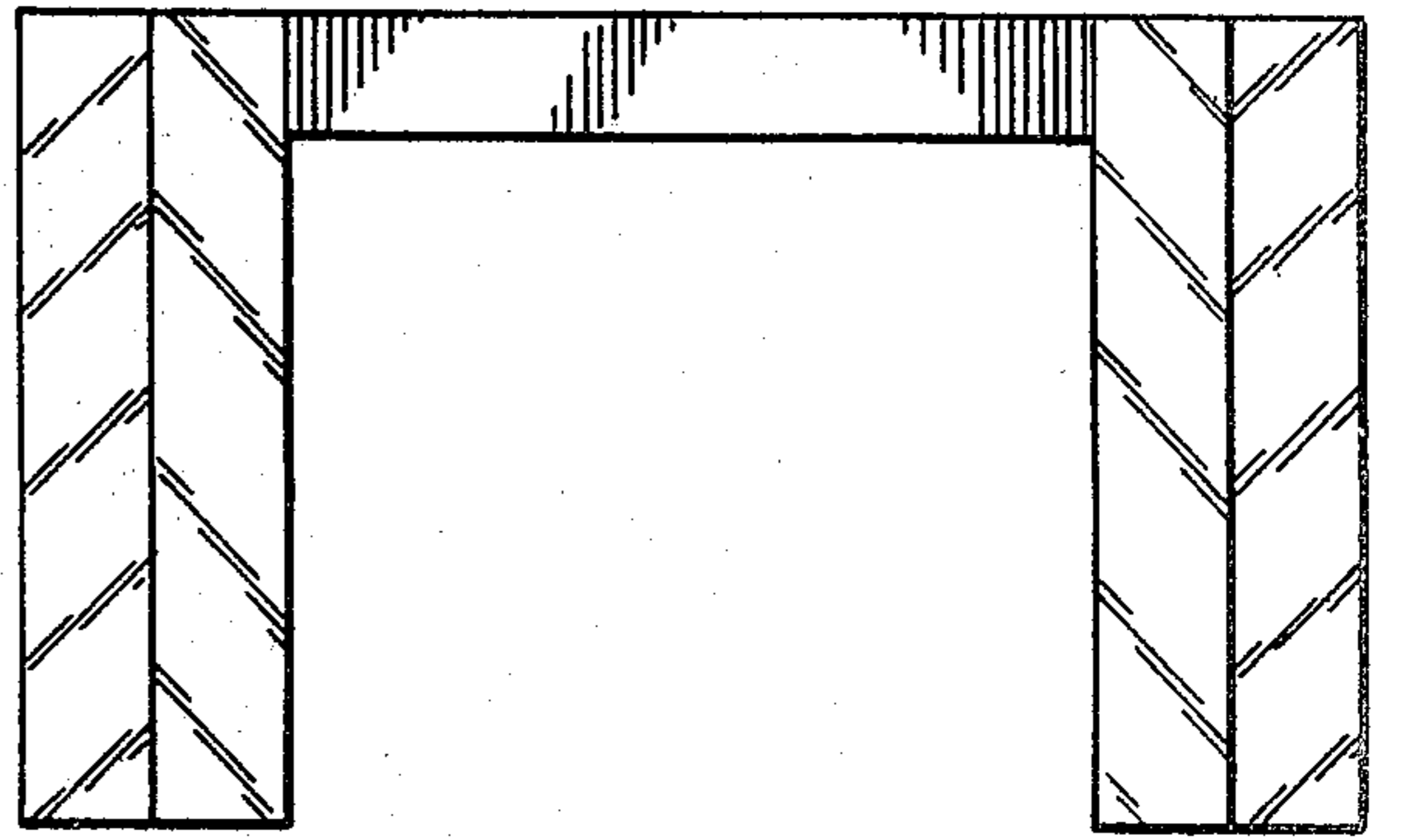


FIG. 4

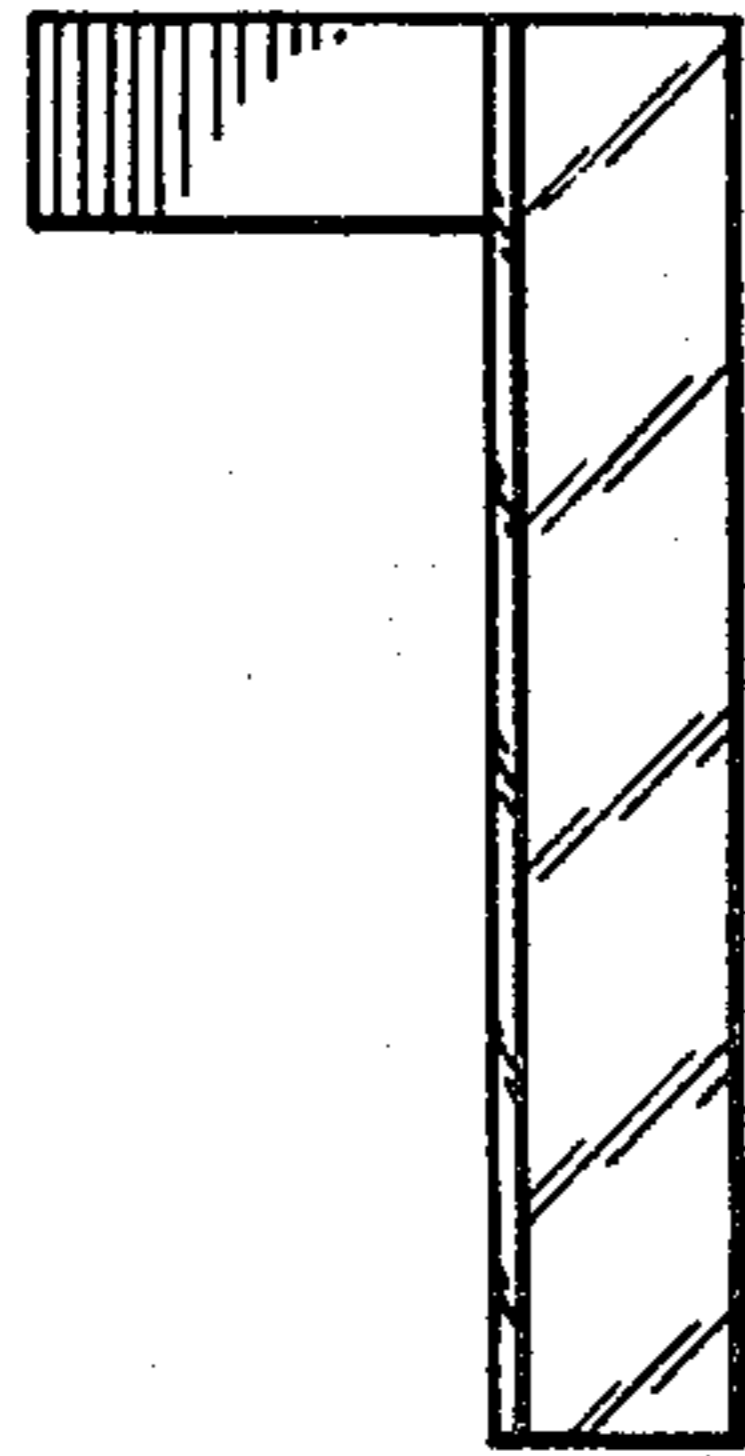


FIG. 5

