

[54] **TABLE**

[75] Inventor: **Bruce Keiser, Philadelphia, Pa.**

[73] Assignee: **Keiser Sterling Corporation, Philadelphia, Pa.**

[**] Term: **14 Years**

[21] Appl. No.: **352,272**

[22] Filed: **Feb. 25, 1982**

[52] U.S. Cl. **D6/175; D6/145; D6/177; D6/194**

[58] Field of Search **D6/20, 27, 145, 146, D6/149, 175, 177, 178, 179**

[56] **References Cited**

U.S. PATENT DOCUMENTS

- D. 238,129 12/1975 Jay D6/175
- D. 239,891 5/1976 Cipullo D6/178 X
- D. 267,211 12/1982 Farrell D6/145 X

OTHER PUBLICATIONS

Selig Tables, Mar. 23, 1973, Cocktail Table No. 88-D6, single sheet.

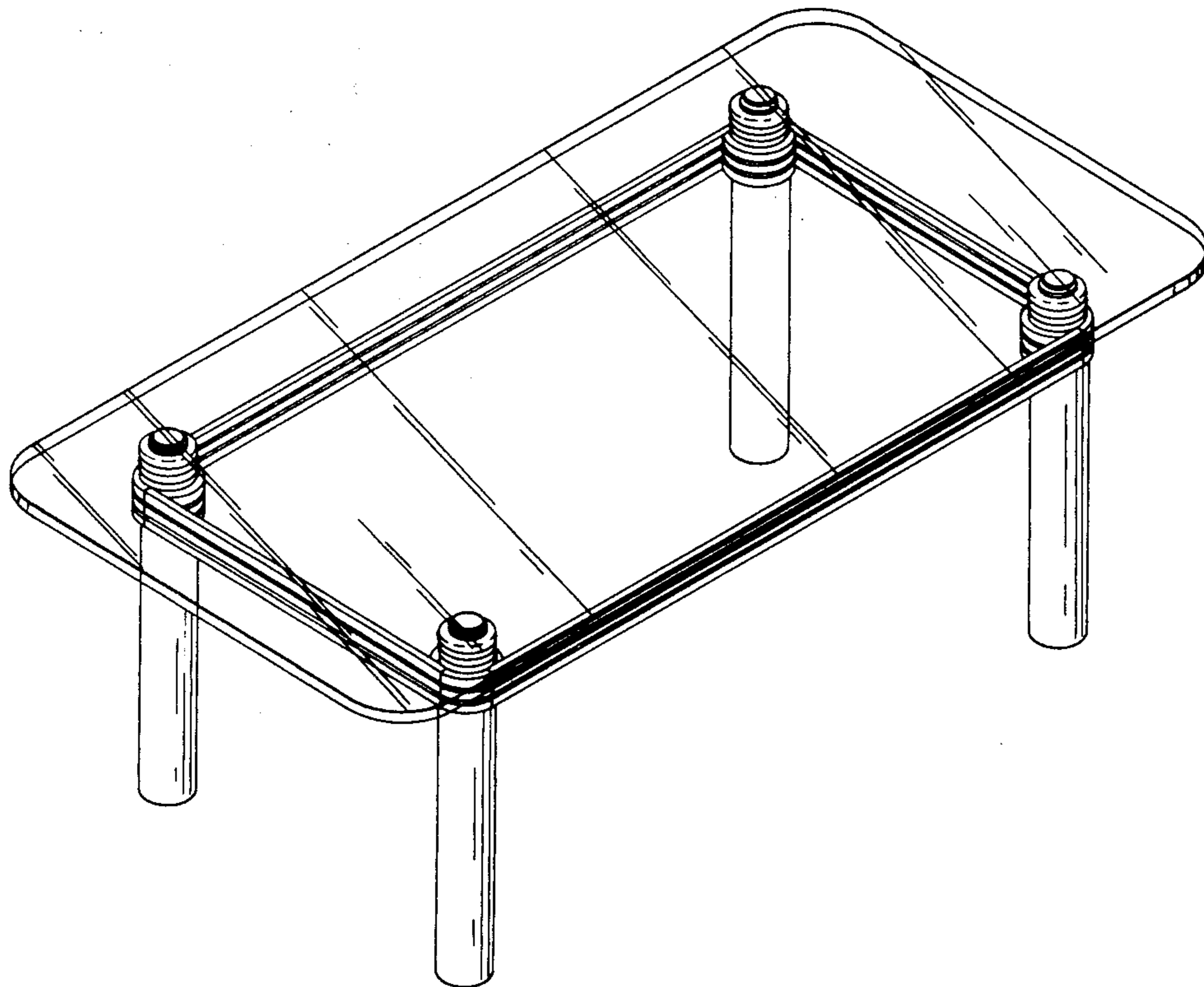
Primary Examiner—Bruce W. Dunkins
Attorney, Agent, or Firm—Seidel, Gonda & Goldhammer

[57] **CLAIM**

The ornamental design for a table, substantially as shown and described.

DESCRIPTION

FIG. 1 is a perspective view of a table showing my new design;
FIG. 2 is a side elevation view thereof;
FIG. 3 is a top plan view thereof;
FIG. 4 is a bottom plan view thereof;
FIG. 5 is a right end view thereof;
FIG. 6 is an enlarged fragmentary perspective view of a corner thereof;
FIG. 7 is a front perspective view of another embodiment thereof;
The side opposite FIG. 2 is a mirror image thereof. The end opposite FIG. 5 is a mirror image thereof.



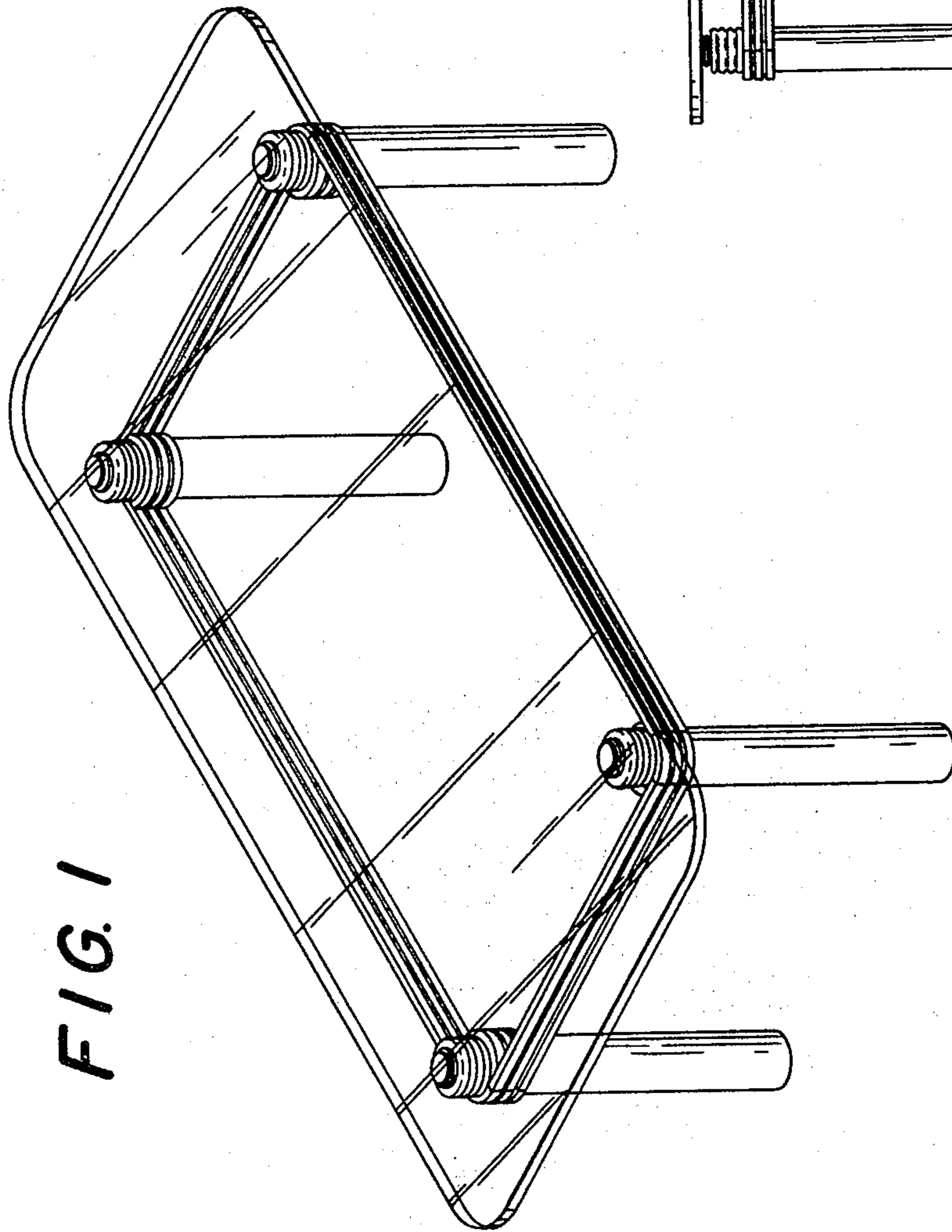


FIG. 1

FIG. 5

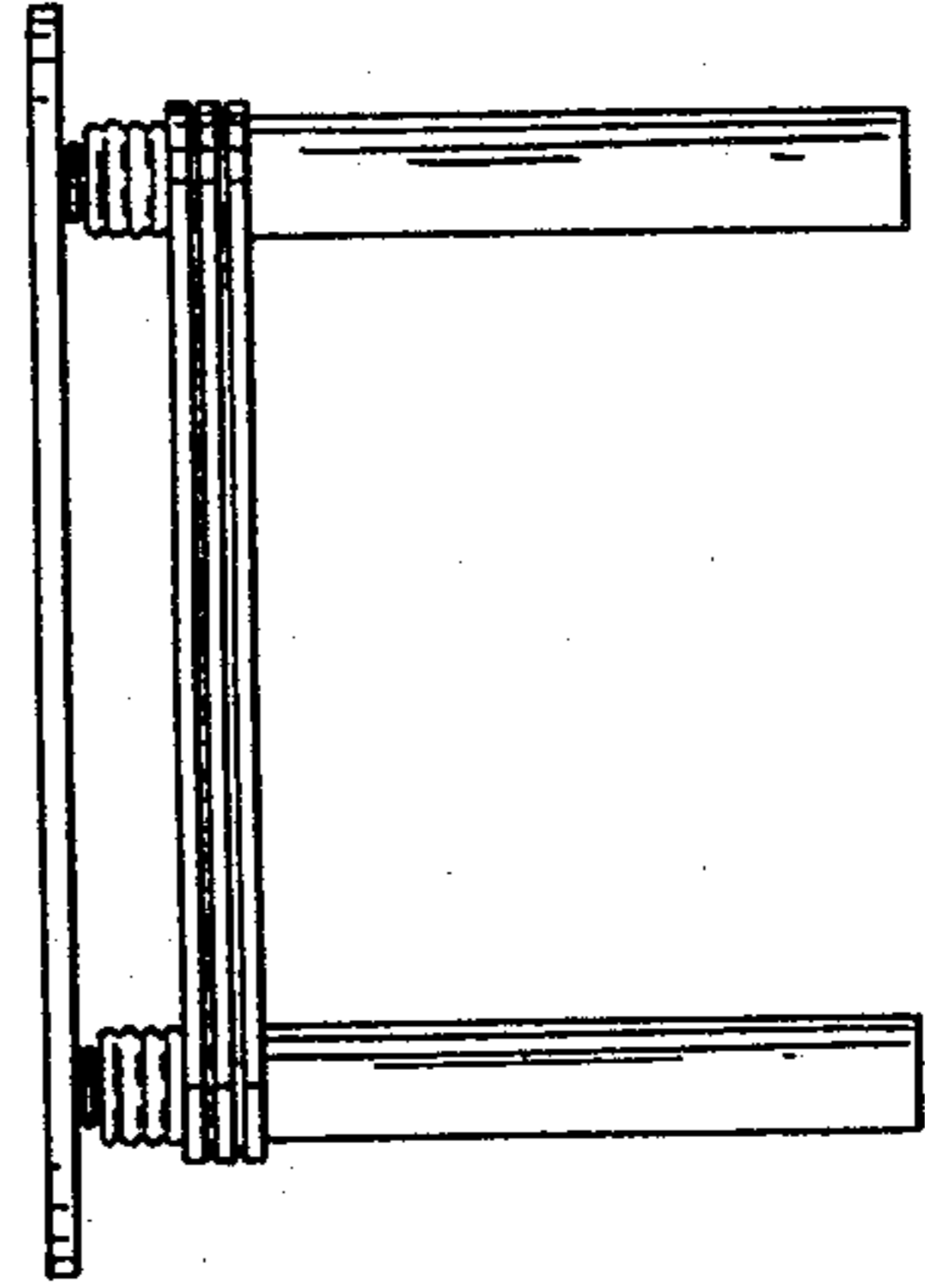


FIG. 2

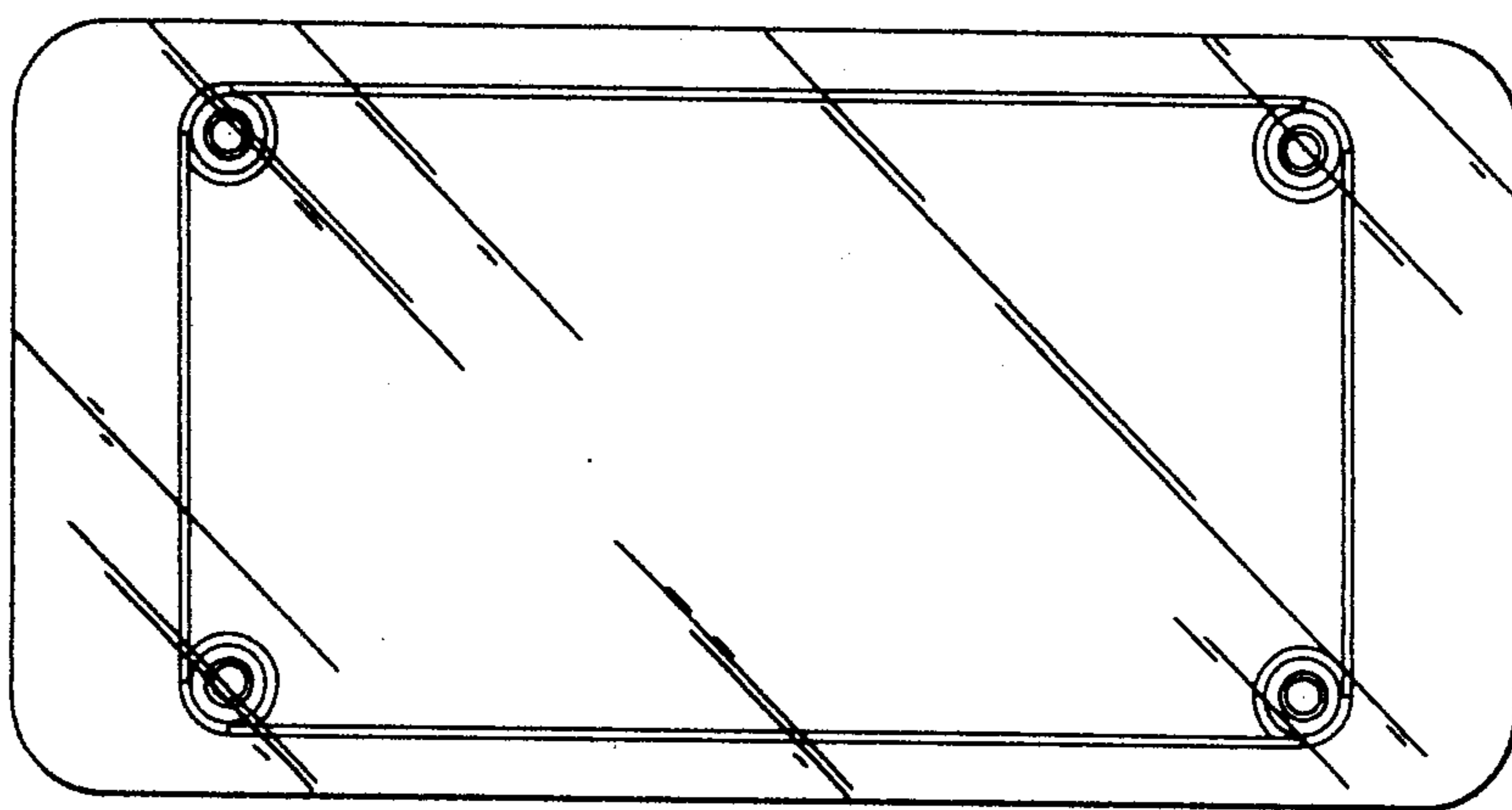
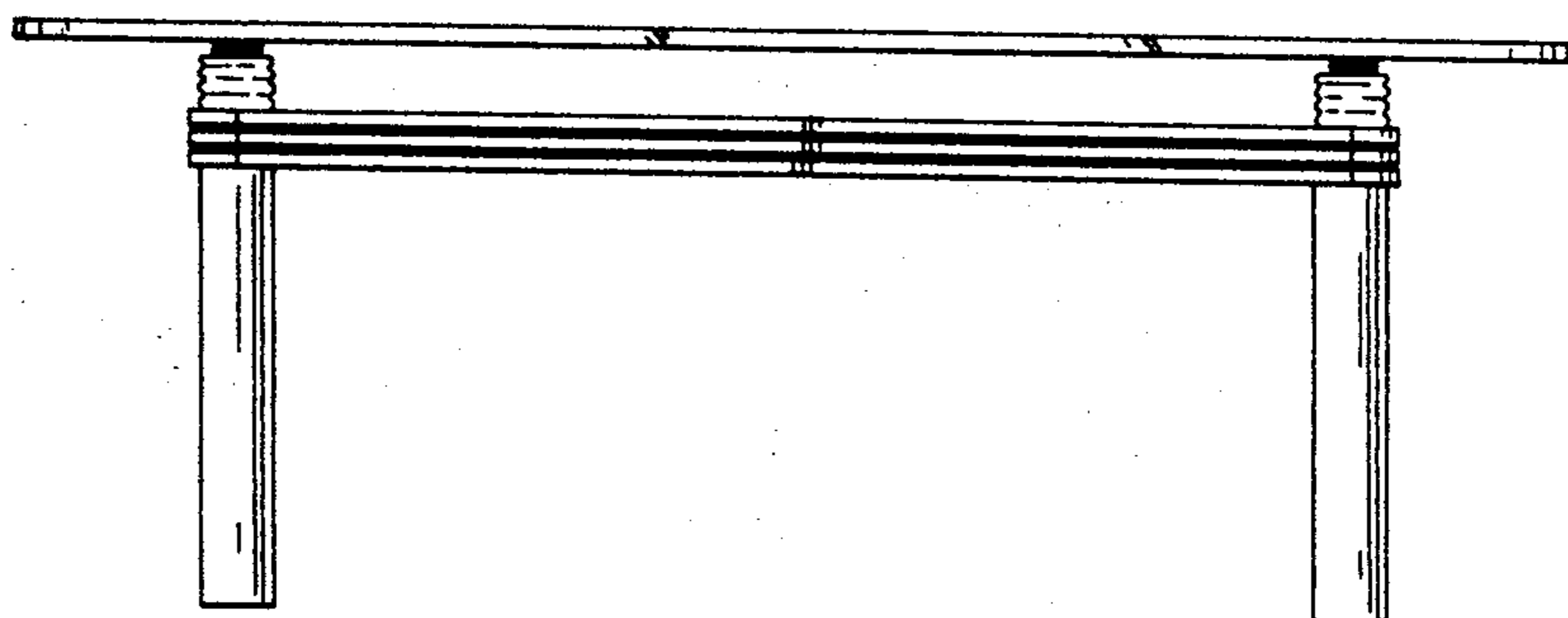


FIG. 3

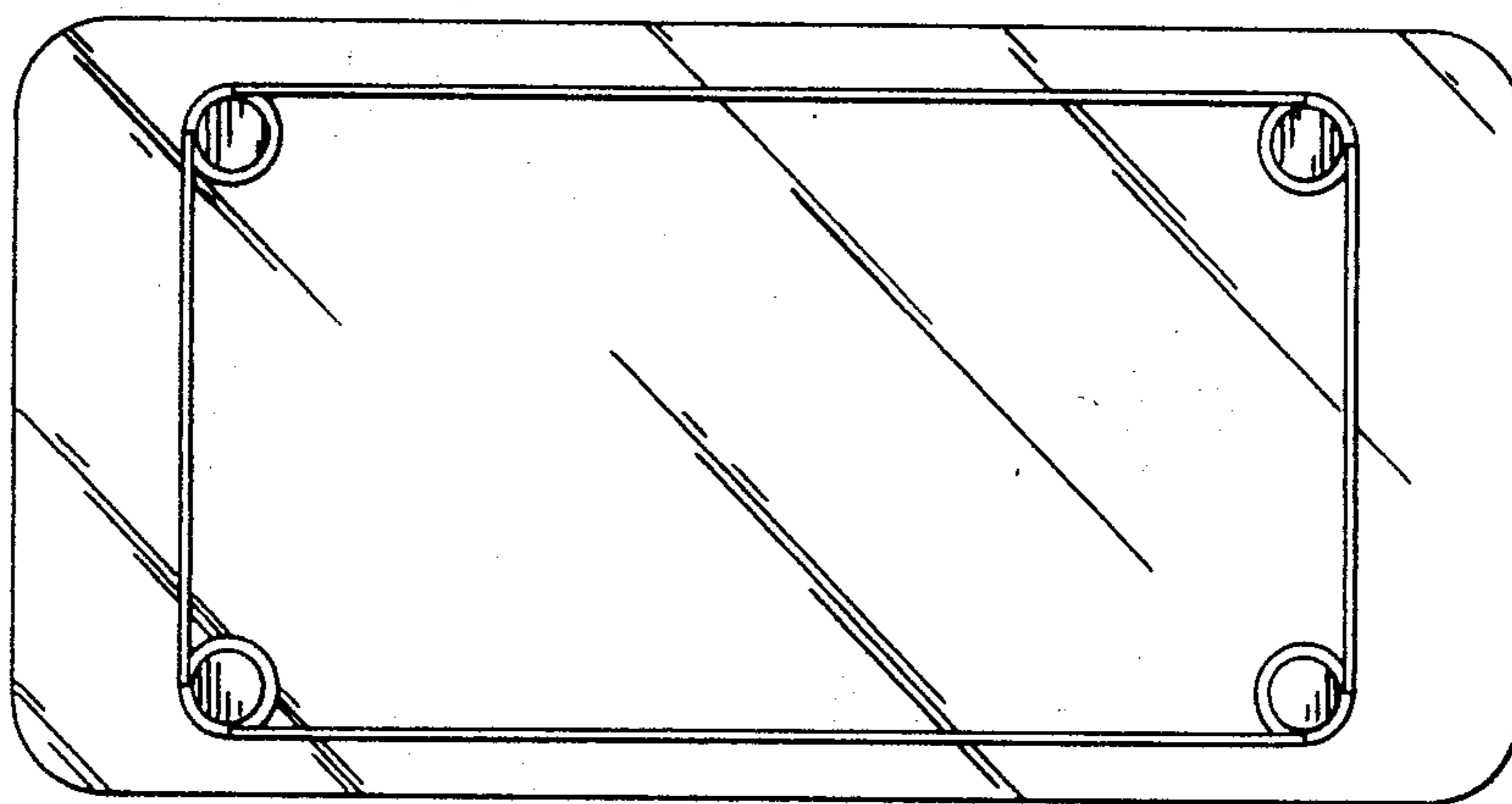


FIG. 4

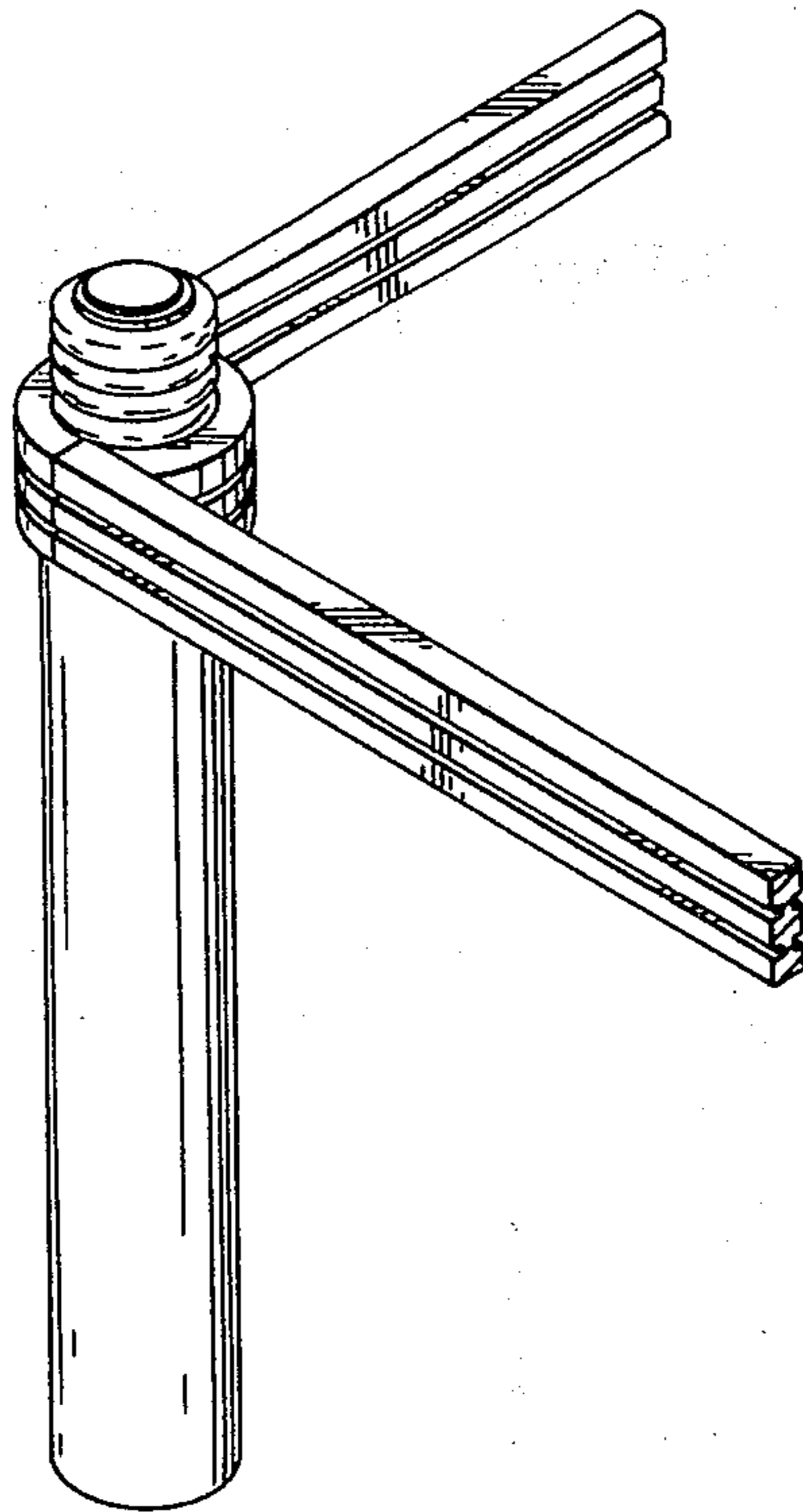


FIG. 6

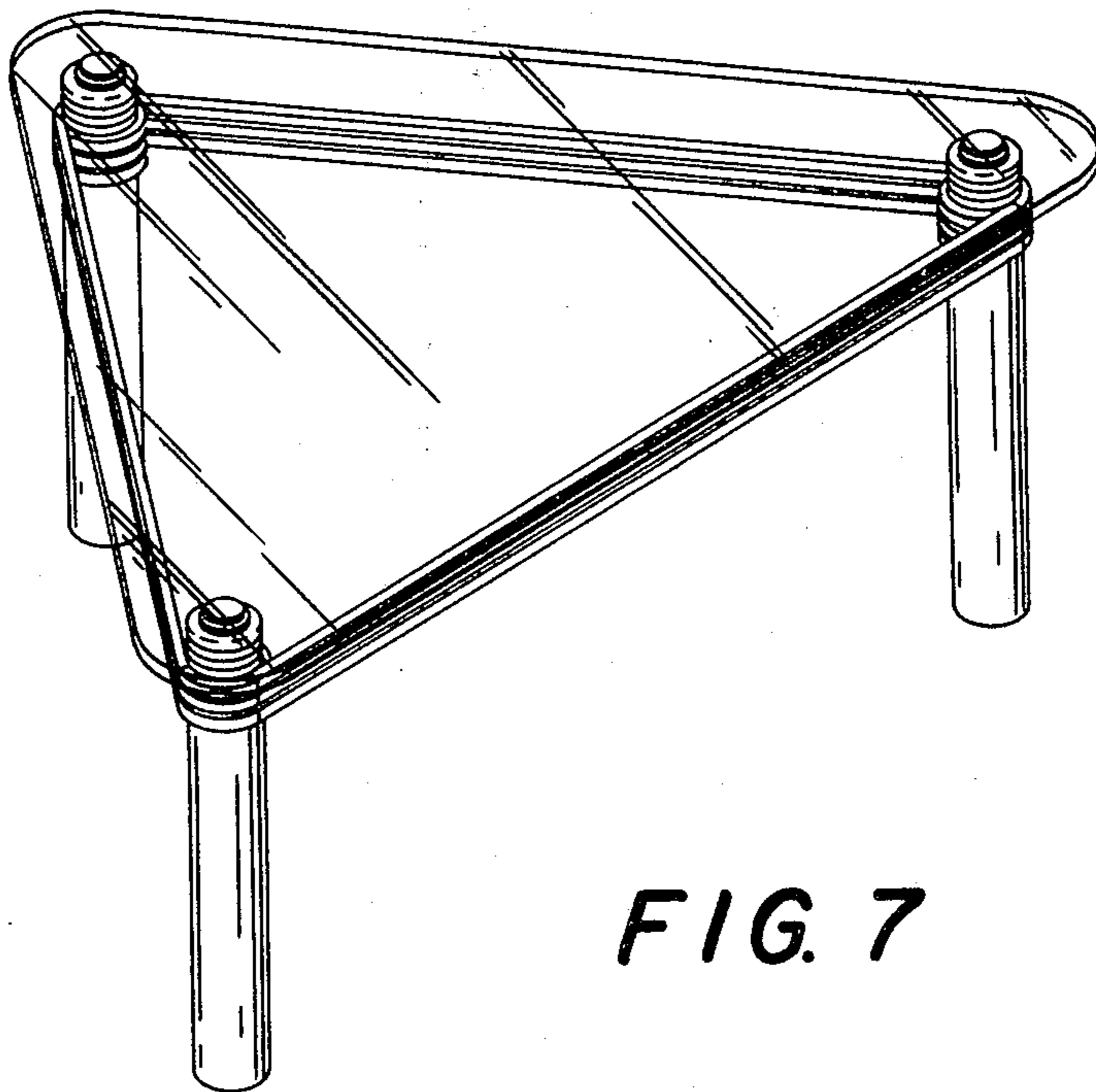


FIG. 7