

[54] FLOWER POT HOLDER

[76] Inventor: Bernard R. Barry, Box 219, Green Mansion Rd., Warrensburg, N.Y. 12885

[\*\*] Term: 14 Years

[21] Appl. No.: 394,662

[22] Filed: Jul. 2, 1982

[52] U.S. Cl. .... D6/130; D6/114; D6/137

[58] Field of Search ..... D6/114, 130, 131, 137; 211/50, 55, 74, 75, 106; 248/206.1, 206.3, 206.4, 302; 47/39

[56] References Cited

U.S. PATENT DOCUMENTS

- D. 126,411 4/1941 Audette ..... D6/114
- D. 153,957 5/1949 Linnard ..... D6/114

- 917,170 4/1909 Short ..... 211/50
- 2,167,375 7/1939 Rubenstein ..... 211/50
- 2,185,299 1/1940 Heraty ..... 248/302
- 2,626,119 1/1953 Crosby ..... 248/302

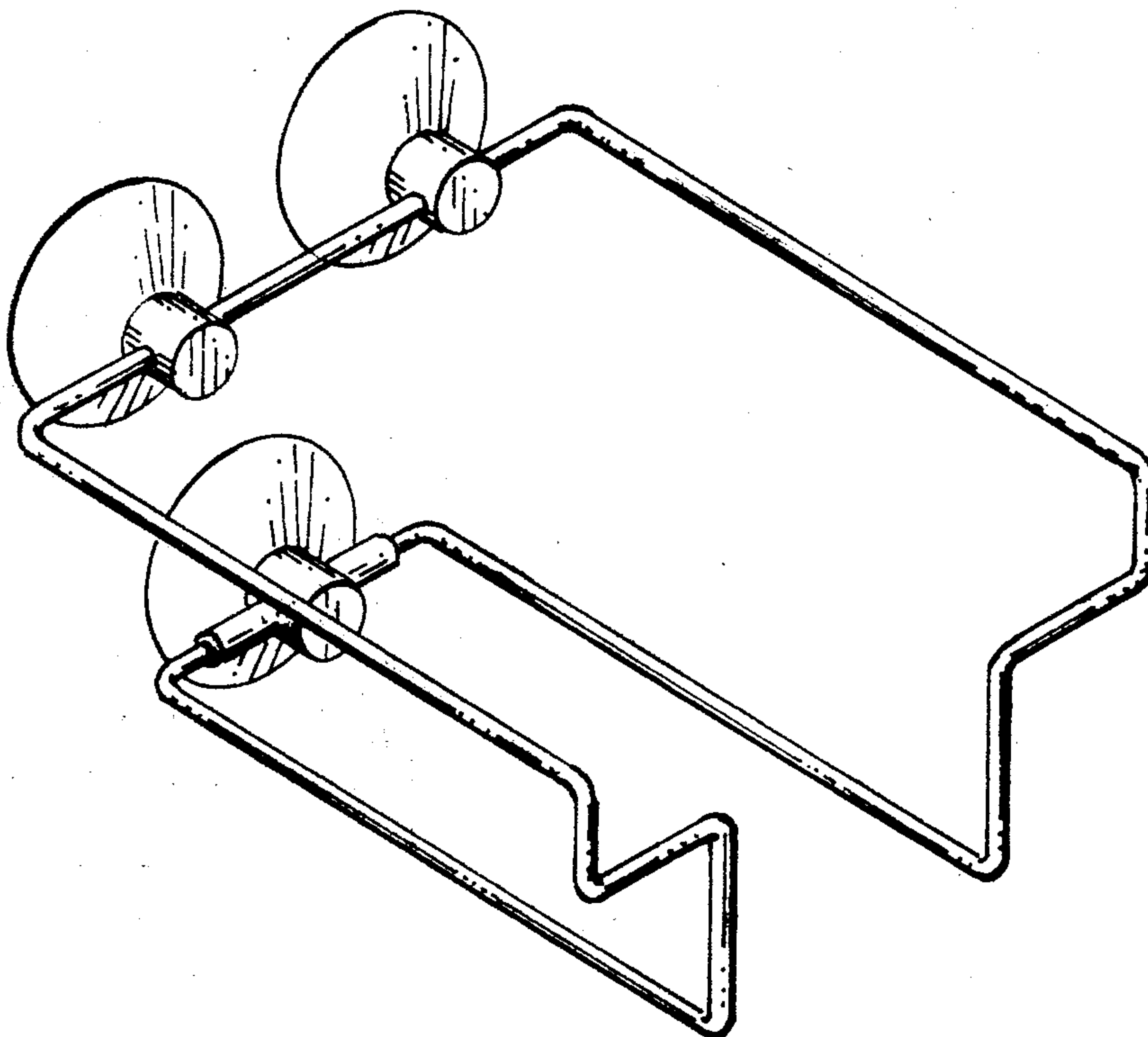
Primary Examiner—B. J. Bullock  
Attorney, Agent, or Firm—Hayes, Davis & Soloway

[57] CLAIM

The ornamental design for a flower pot holder, as shown and described.

DESCRIPTION

FIG. 1 is a side elevational view of a flower pot holder showing my new design;  
 FIG. 2 is a front elevational view thereof;  
 FIG. 3 is a rear elevational view thereof;  
 FIG. 4 is a top plan view thereof;  
 FIG. 5 is a bottom plan view thereof;  
 FIG. 6 is a perspective view thereof;  
 FIG. 7 is a perspective view of a second embodiment of the design of FIG. 1.



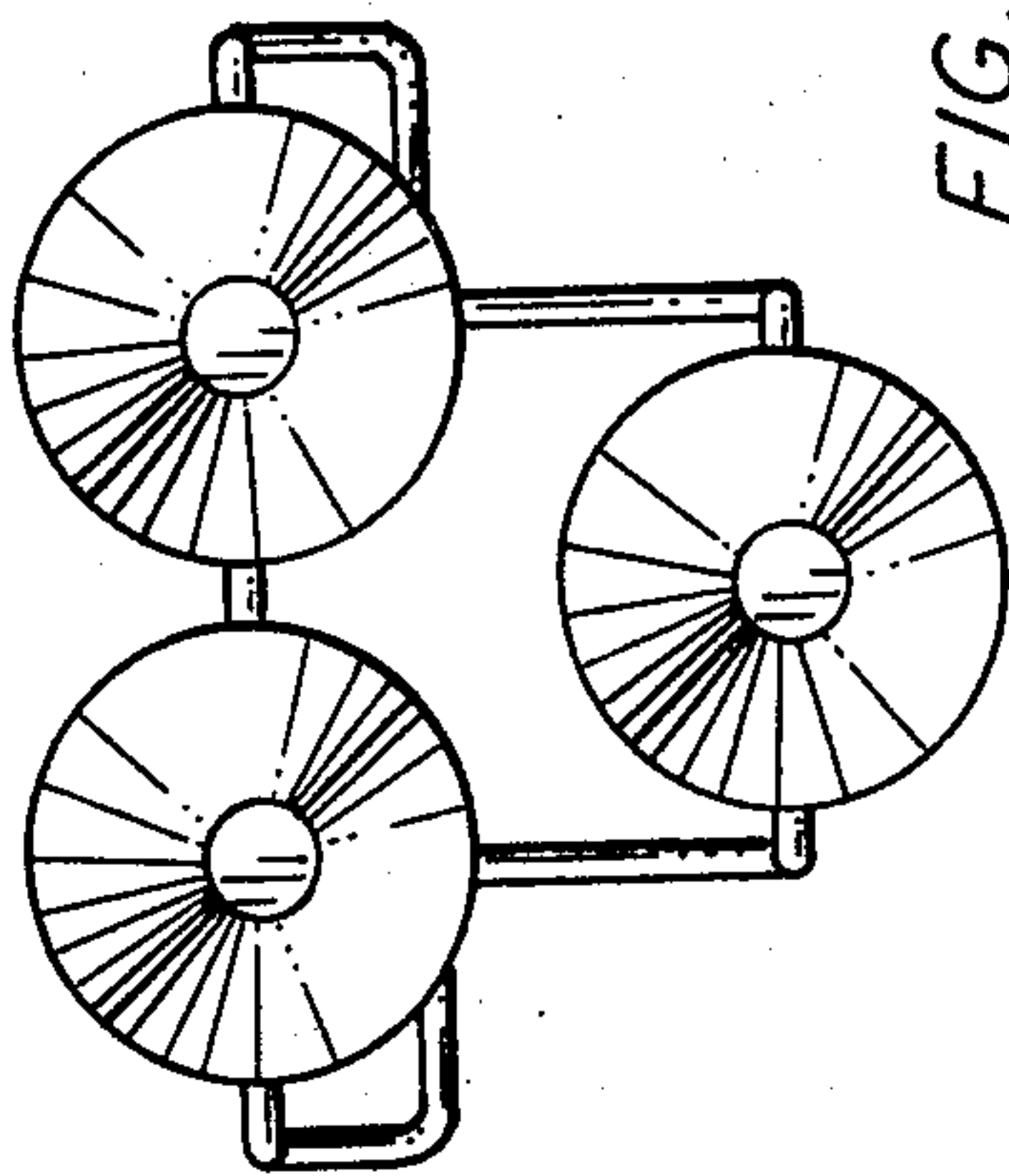


FIG. 3

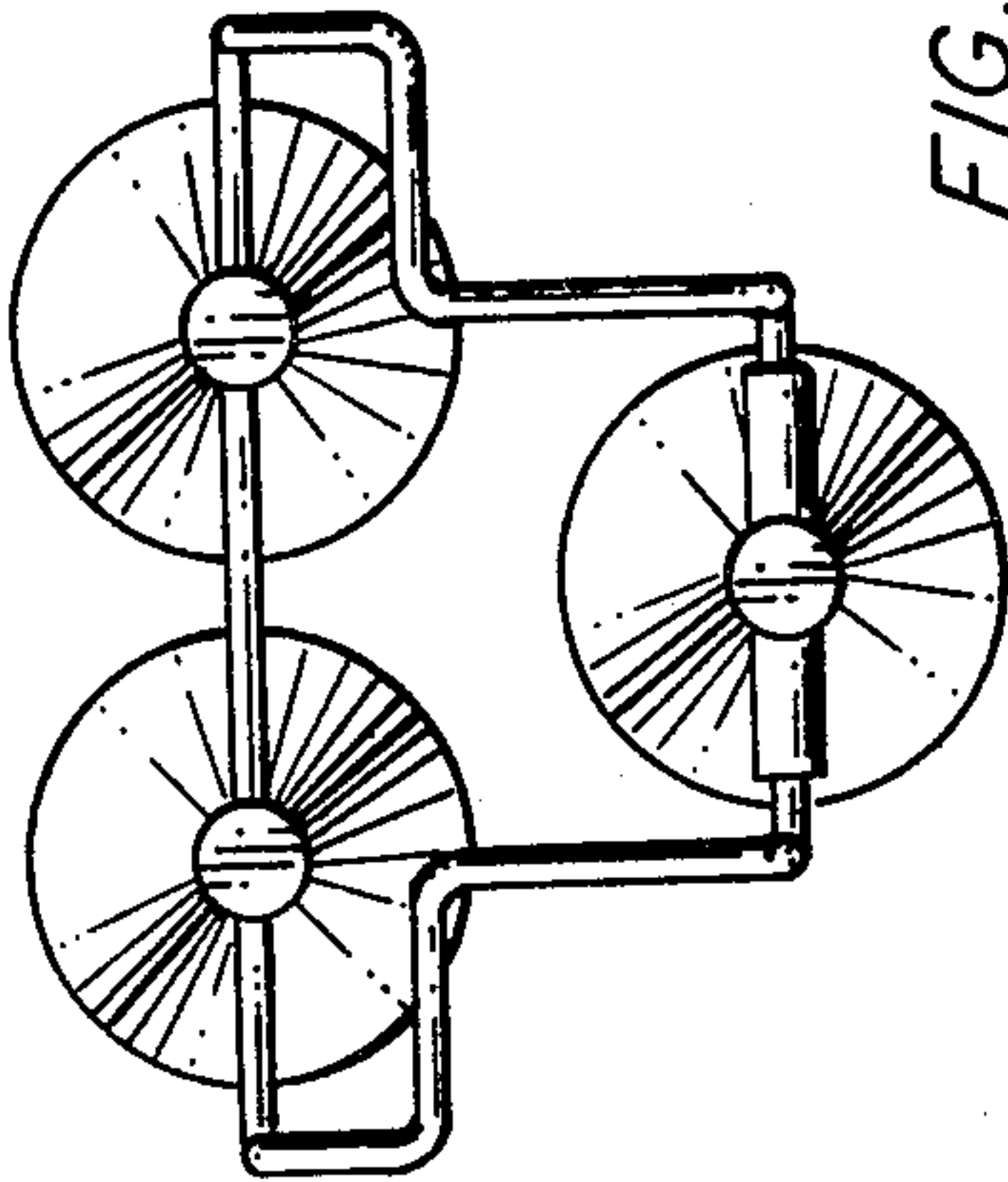


FIG. 2

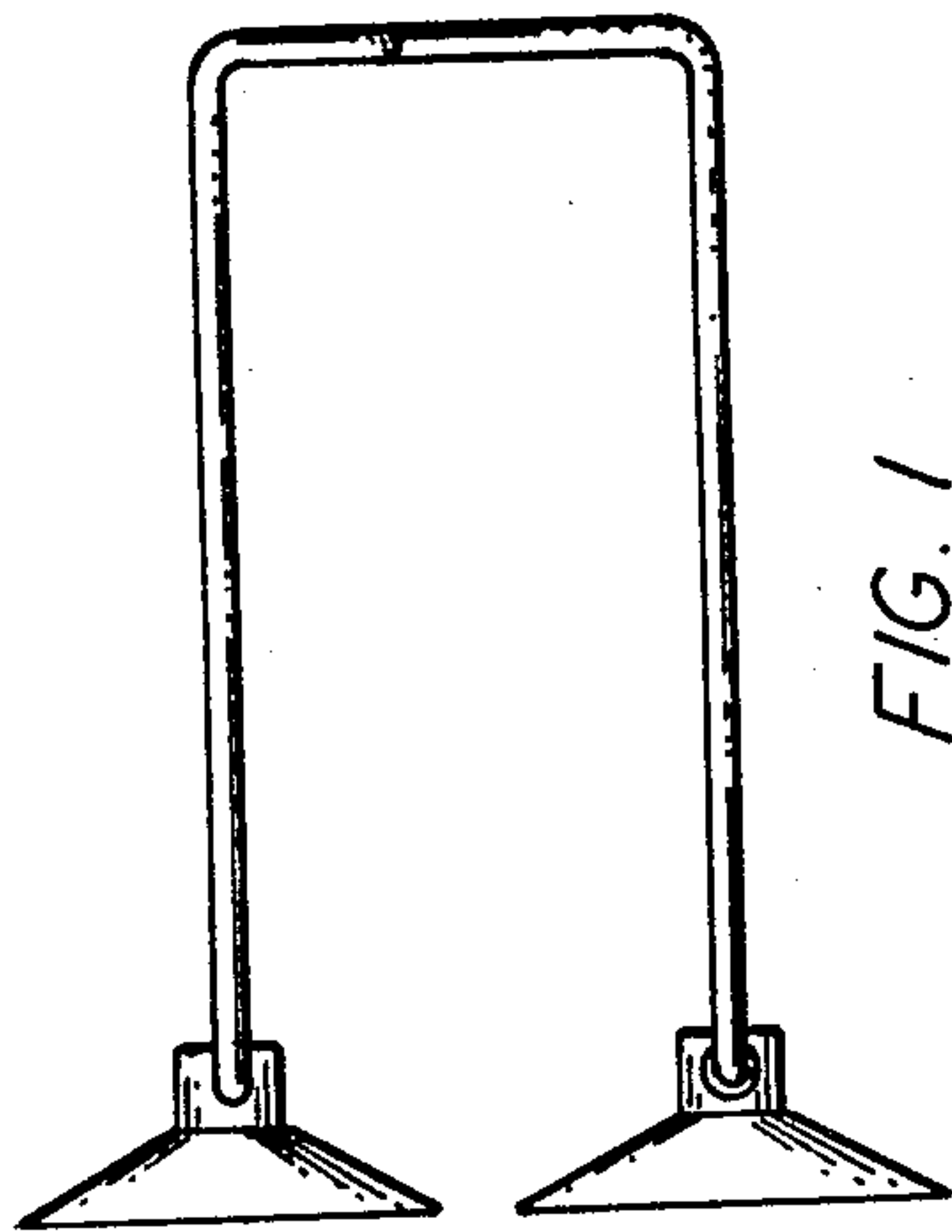


FIG. 1

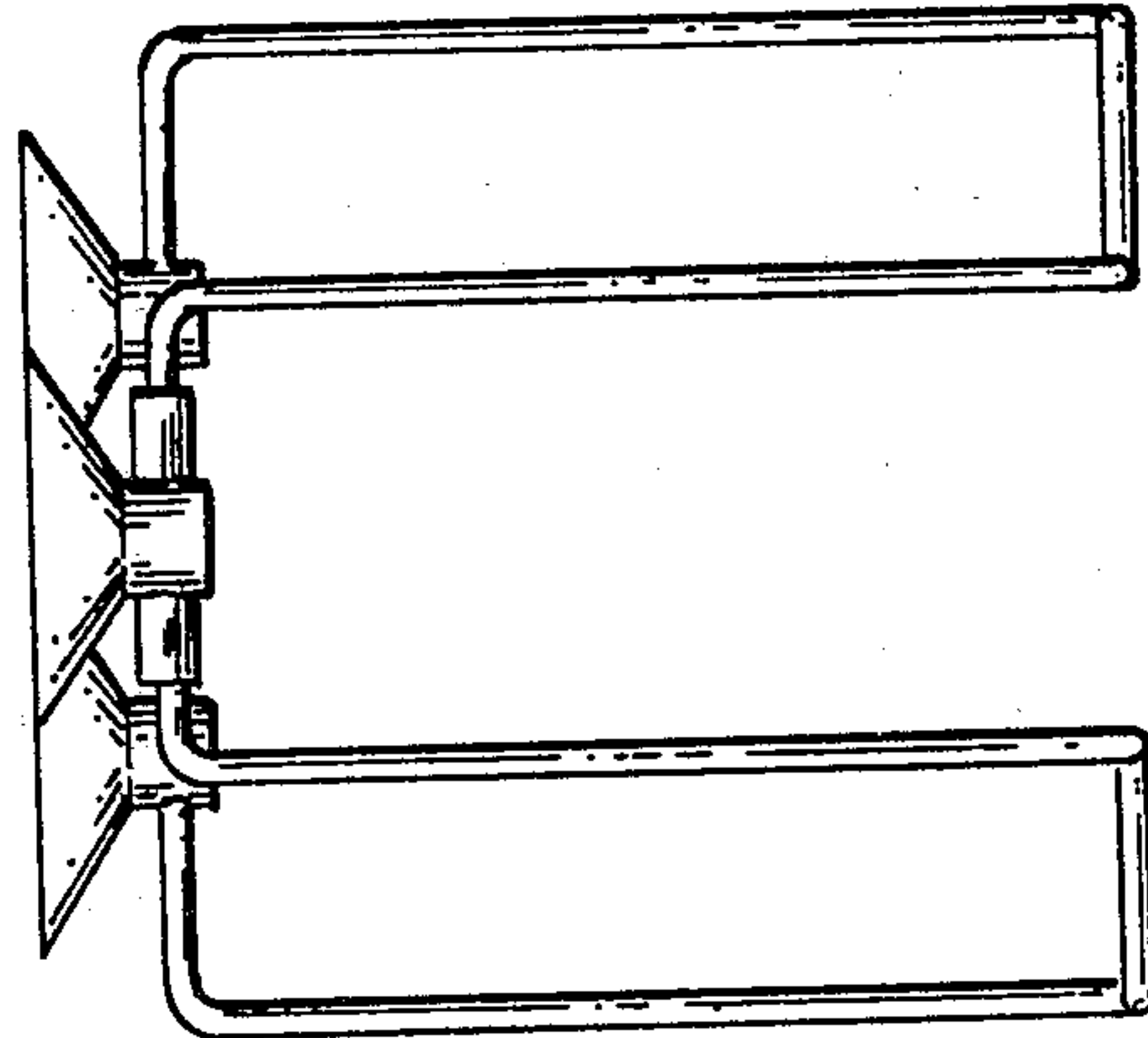


FIG. 5

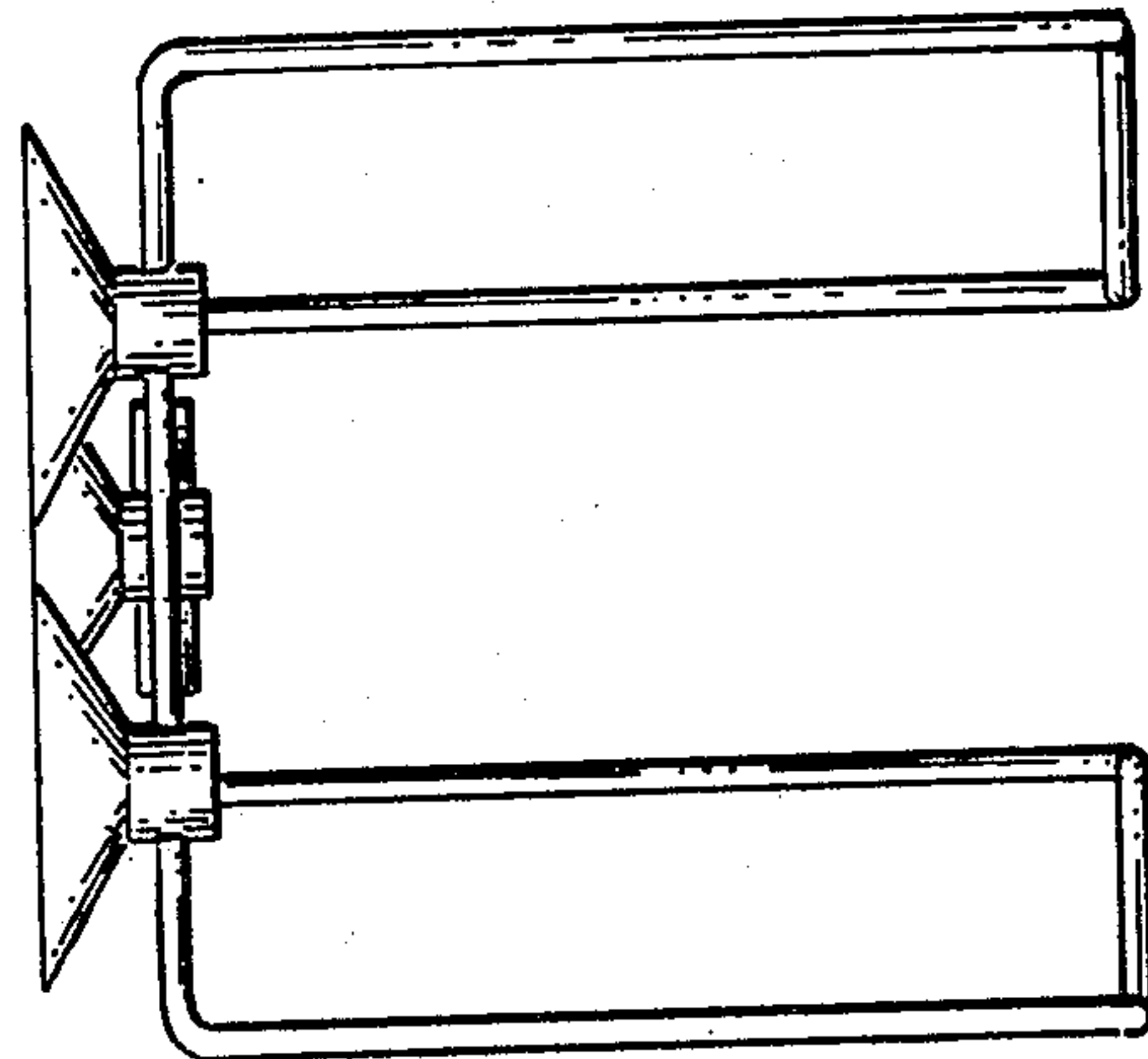


FIG. 4

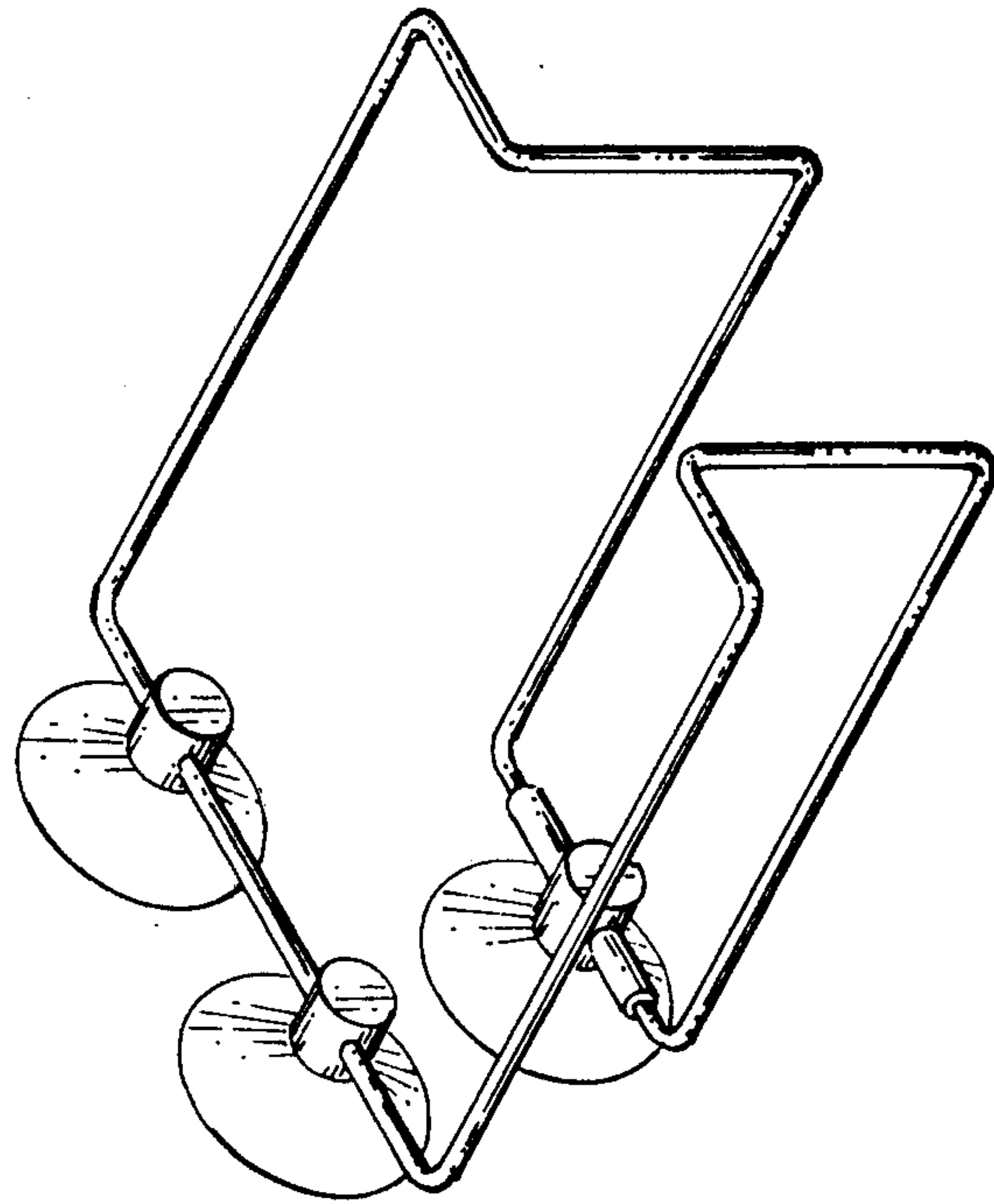


FIG. 7

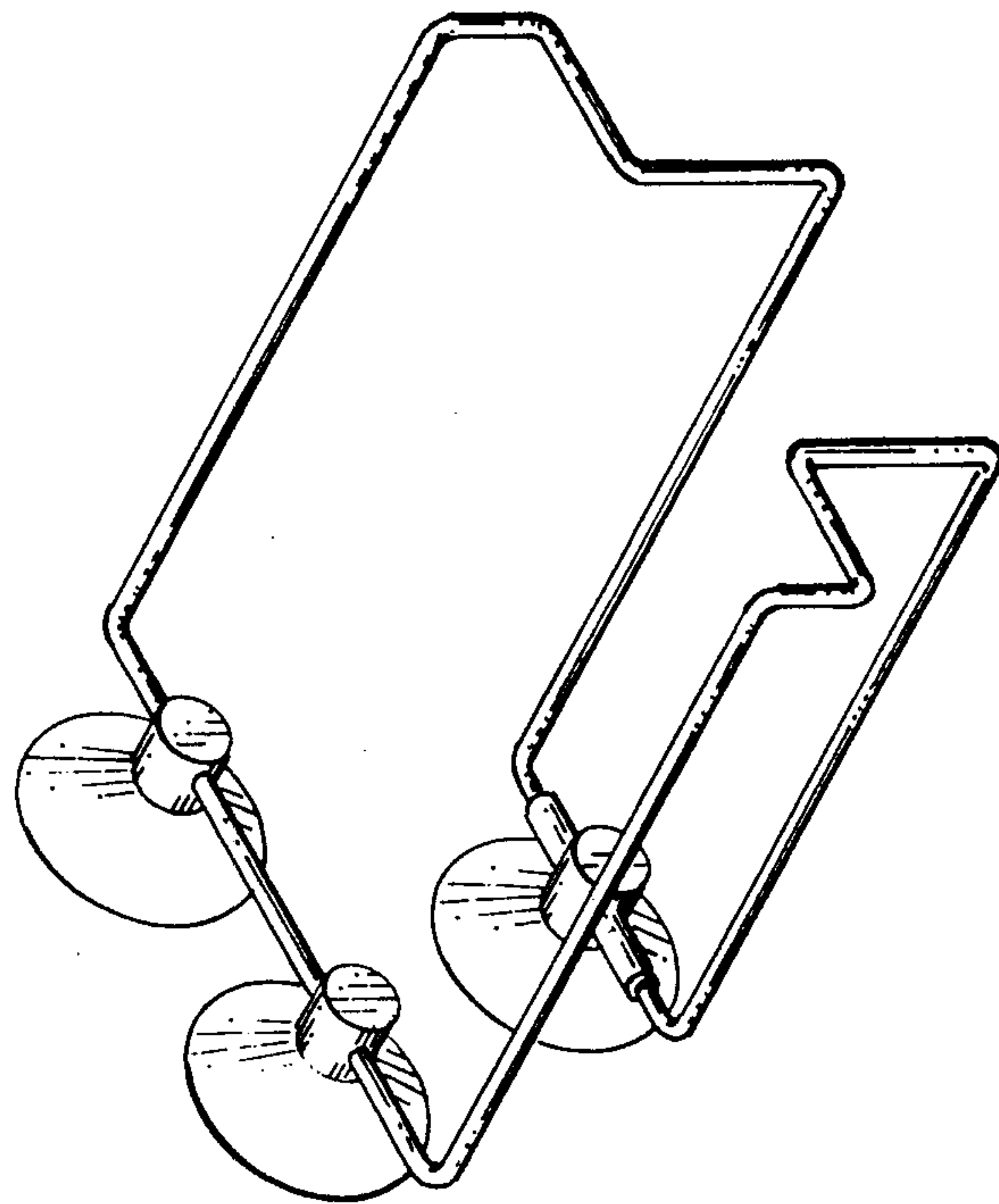


FIG. 6