

[54] FOLDABLE SEAT AND TABLE UNIT

[76] Inventor: Hugo A. Pineiro, Uppstigen 104-41, S-412 80 Göteborg, Sweden

[\*\*] Term: 14 Years

[21] Appl. No.: 288,920

[22] Filed: Jul. 31, 1981

[30] Foreign Application Priority Data

Feb. 27, 1980 [SE] Sweden ..... 80-0411  
[52] U.S. Cl. .... D6/45  
[58] Field of Search ..... D6/45, 42, 175, 177, D6/178; 297/17, 157; 108/127

[56] References Cited

U.S. PATENT DOCUMENTS

1,476,144 12/1923 Calvert ..... 297/17 X  
1,659,840 2/1928 Smith ..... 297/17 X  
3,580,632 5/1971 Seymour ..... 297/157

OTHER PUBLICATIONS

Foodservice Equipment Dealer, Sep. 1969, p. 31, Seat & Table Unit by Davmor, top right.

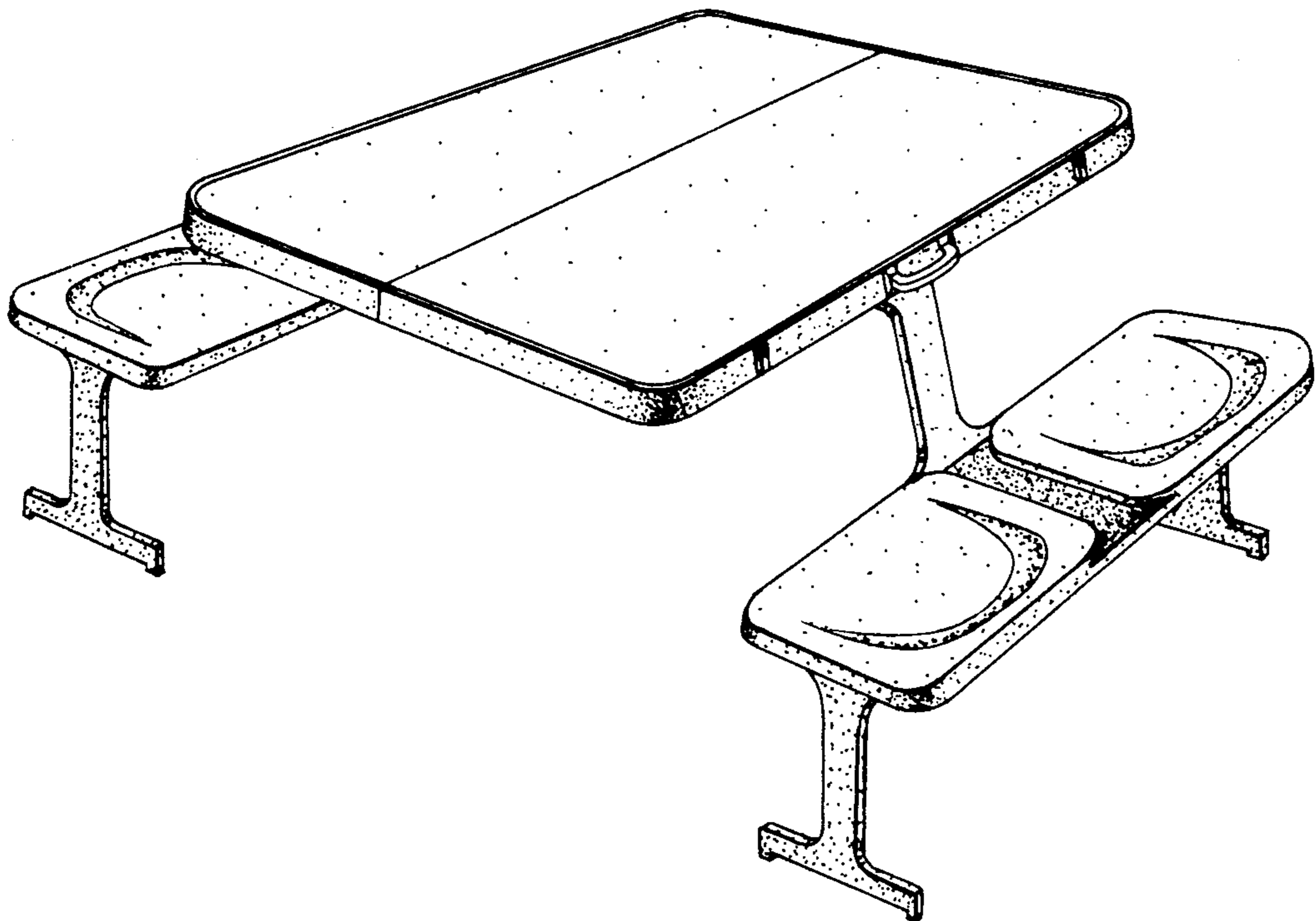
Primary Examiner—Bruce W. Dunkins

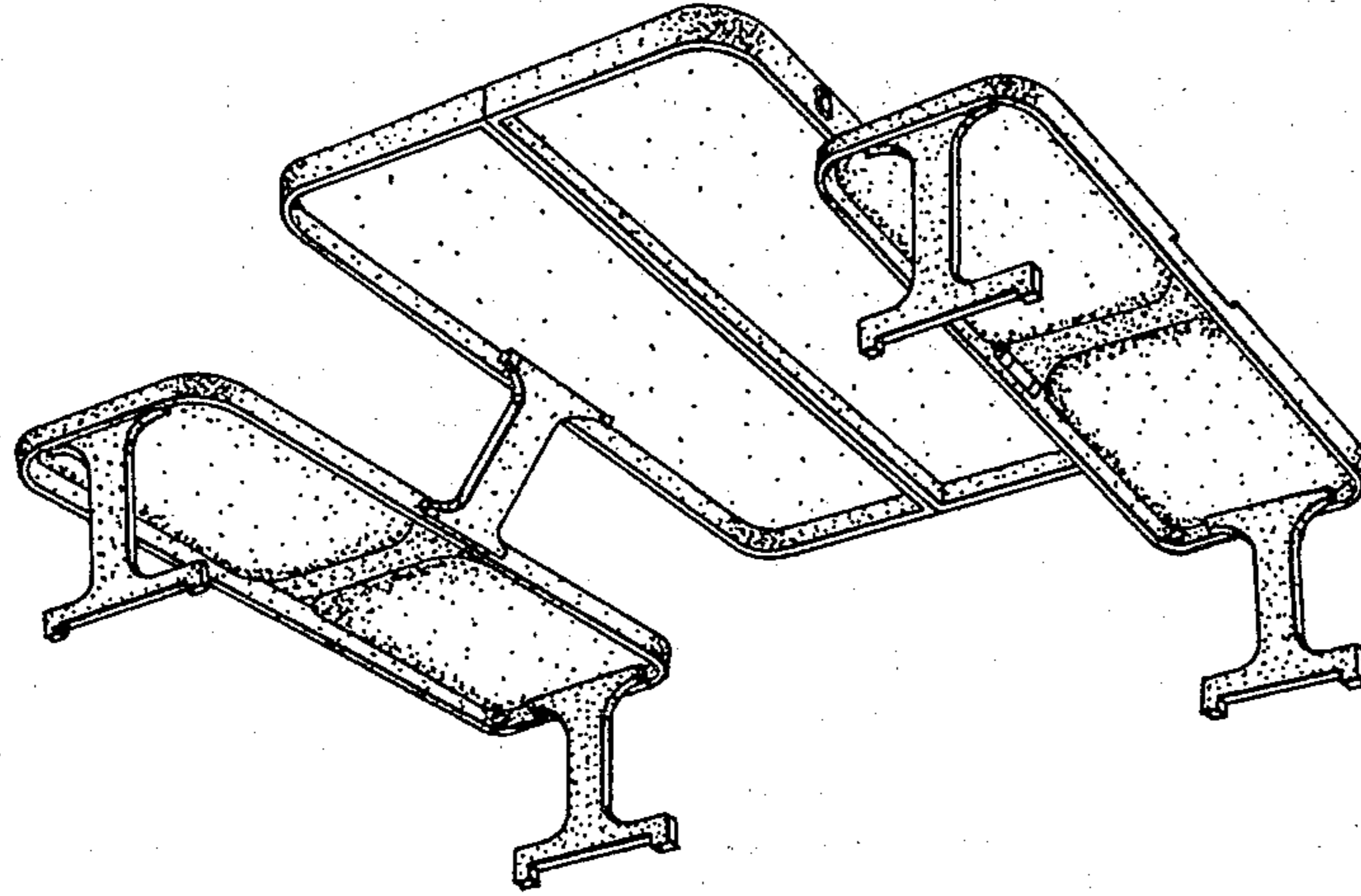
[57] CLAIM

The ornamental design for a foldable seat and table unit, as shown and described.

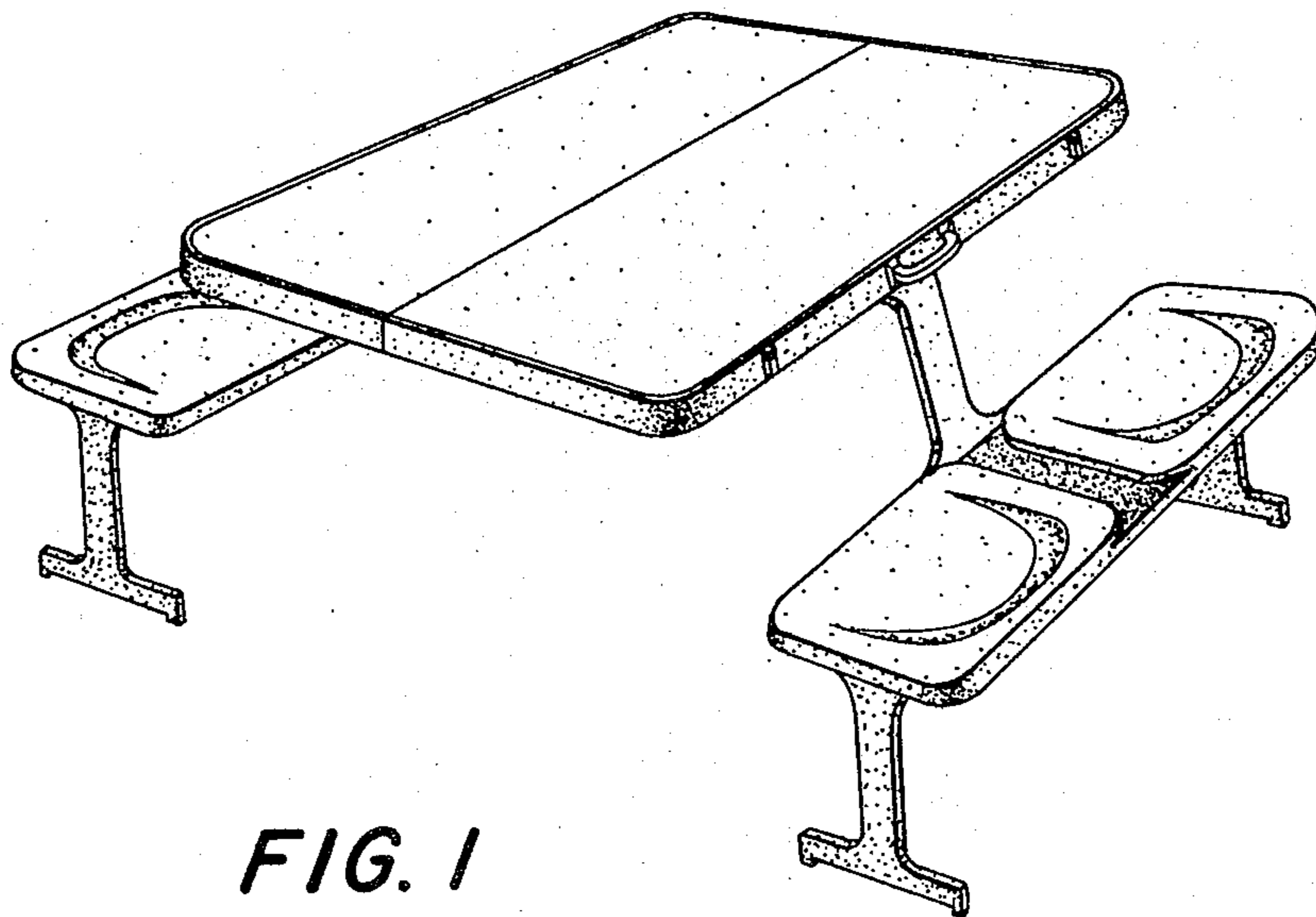
DESCRIPTION

FIG. 1 is a perspective view taken from the top of a foldable seat and table unit particularly useful for campers in its opened position according to my new design; FIG. 2 is a perspective view taken from the bottom thereof in its opened position; FIG. 3 is a perspective view taken from the top thereof in the partially folded position; FIG. 4 is a perspective view taken from the bottom thereof in the partially folded position; FIG. 5 is a perspective view taken from the top, front and side thereof in the completely folded position; FIG. 6 is a perspective view taken from the bottom, back and side thereof in the completely folded position; FIG. 7 is a perspective view taken from the top of another embodiment of a flexible camping furniture set particularly useful for boats in its opened position; FIG. 8 is a perspective view taken from the bottom of the embodiment of FIG. 7 rotated clockwise; FIG. 9 is a perspective view taken from the top of another embodiment of a flexible camping furniture set particularly useful for balconies in its opened position; and, FIG. 10 is a perspective view taken from the bottom of the embodiment of FIG. 9 rotated clockwise.



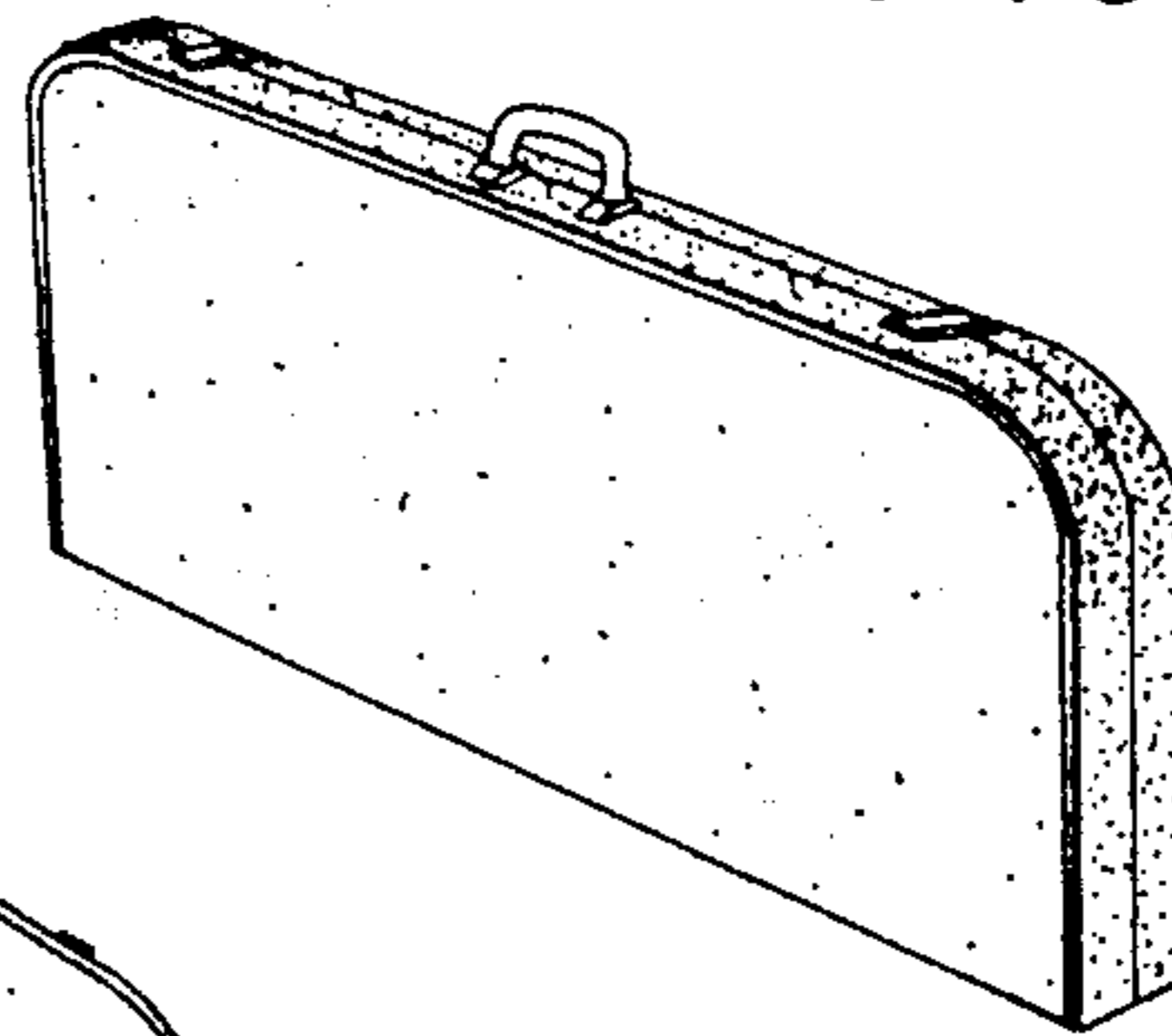


**FIG. 2**

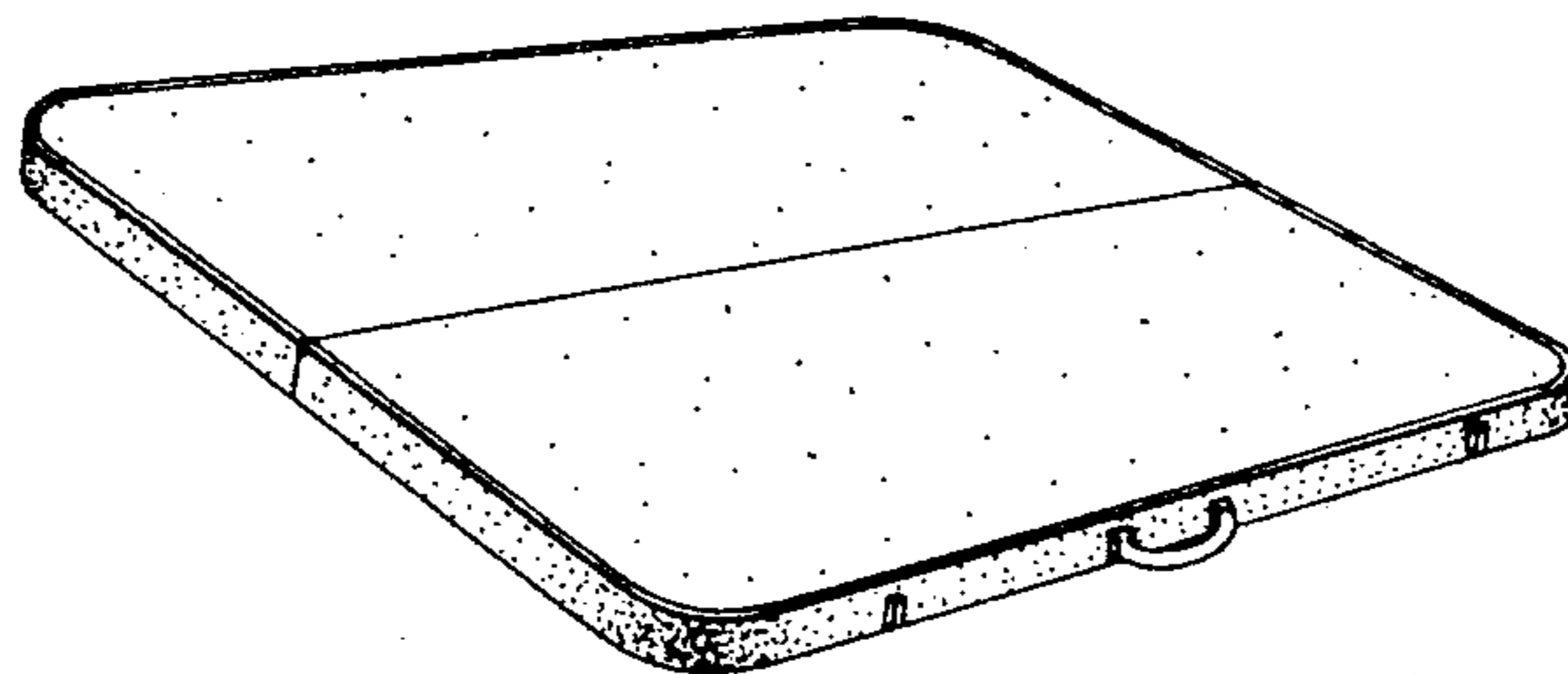
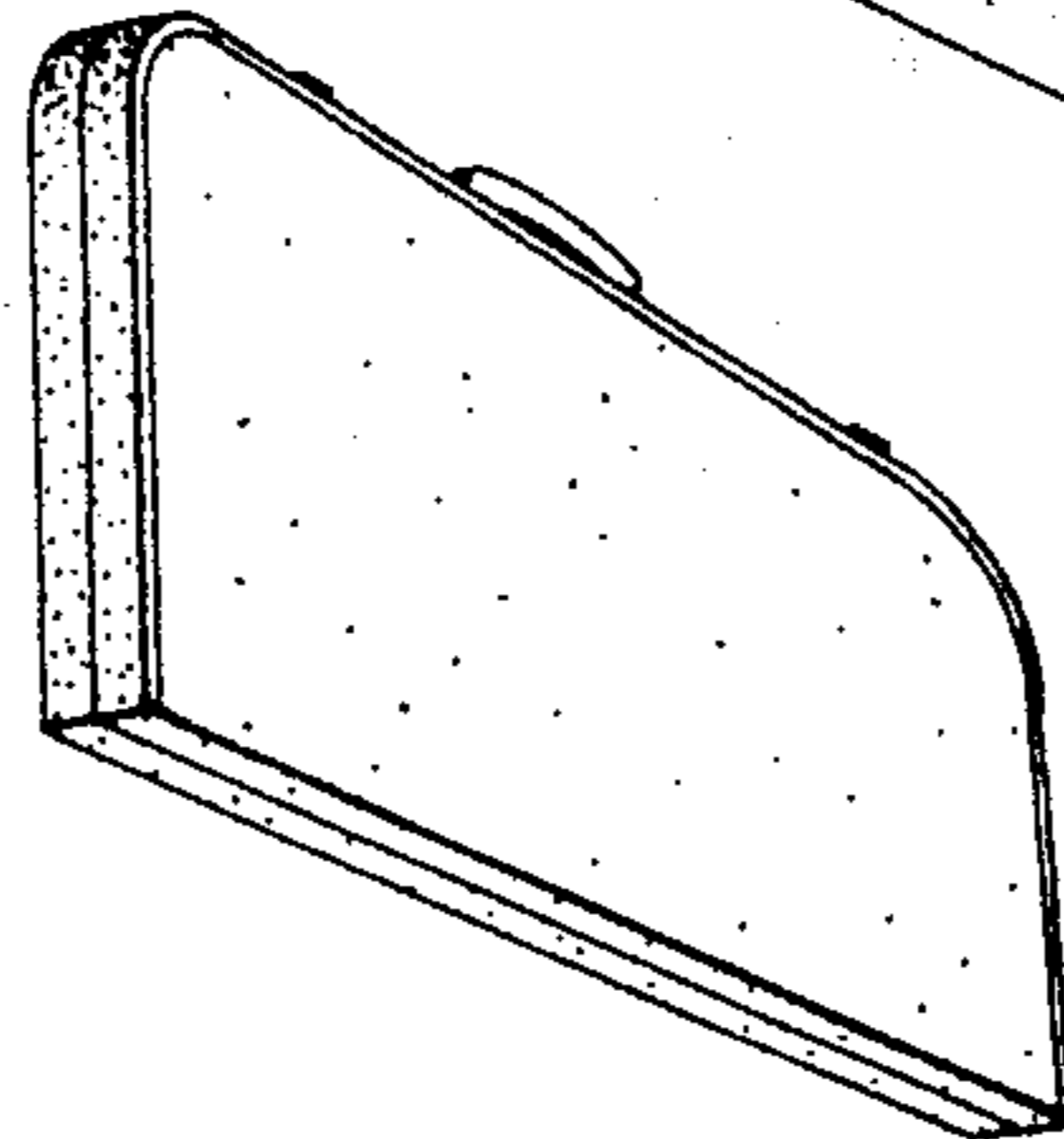


**FIG. 1**

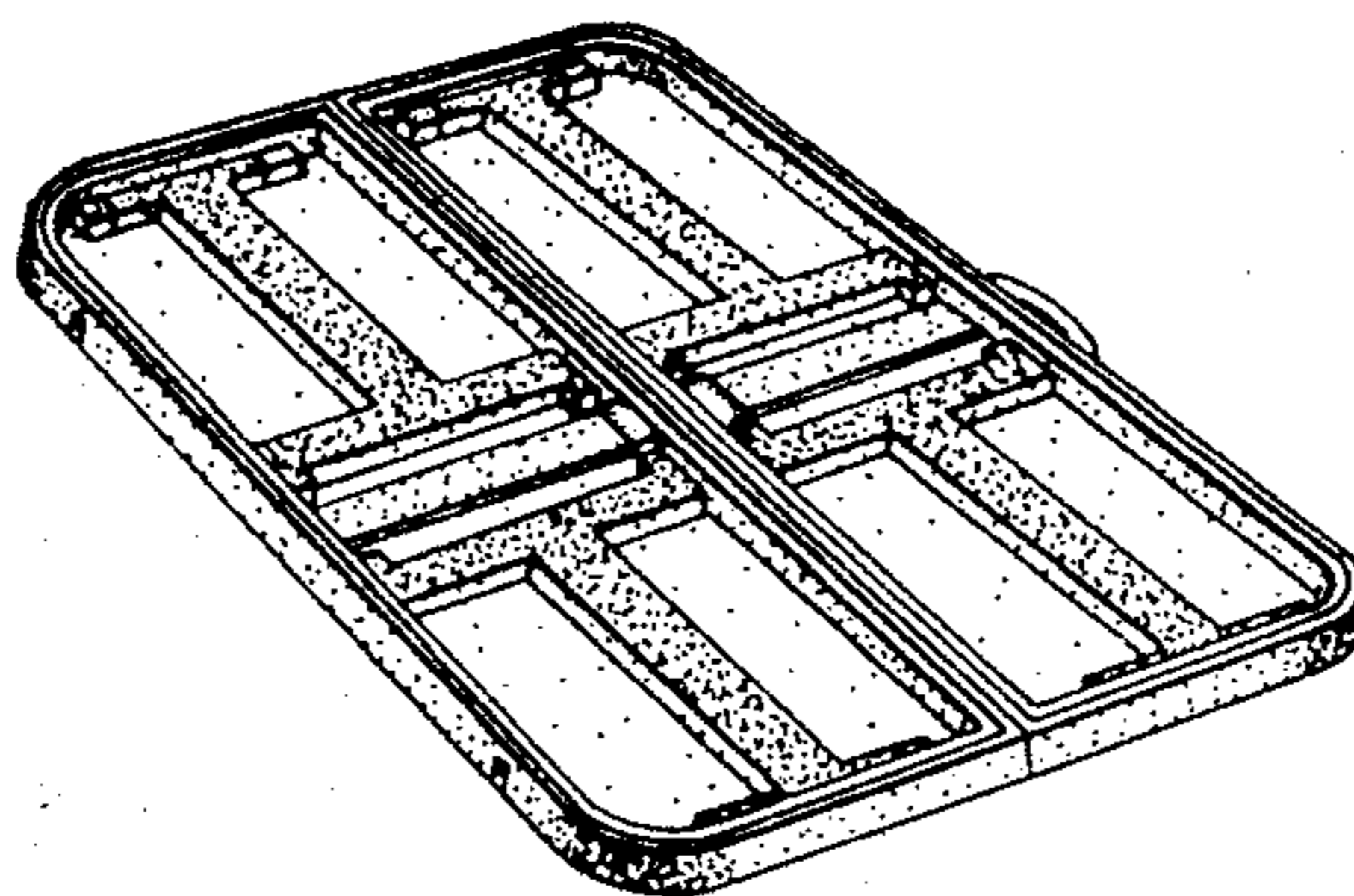
*FIG. 5*



*FIG. 6*

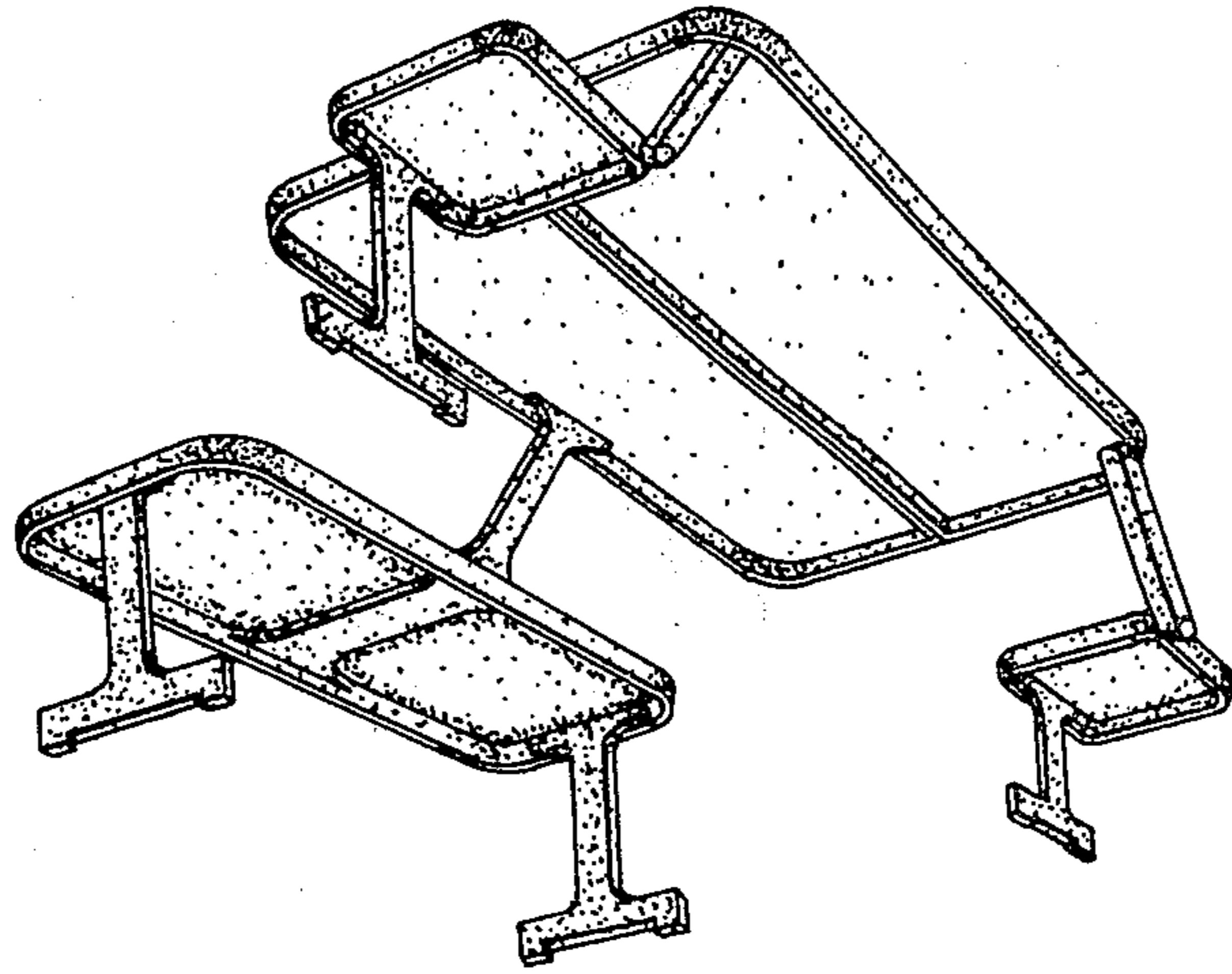


*FIG. 3*

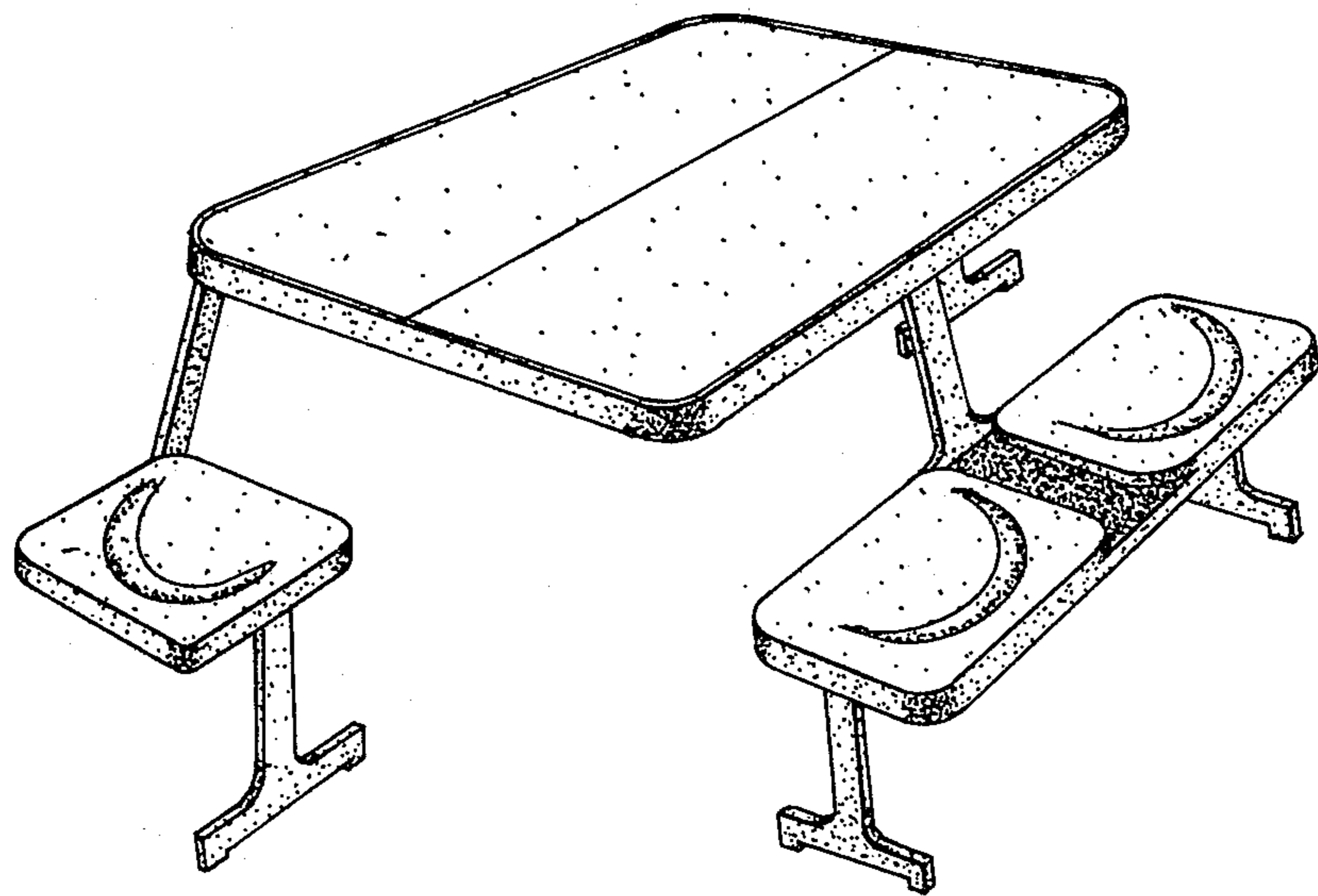


*FIG. 4*

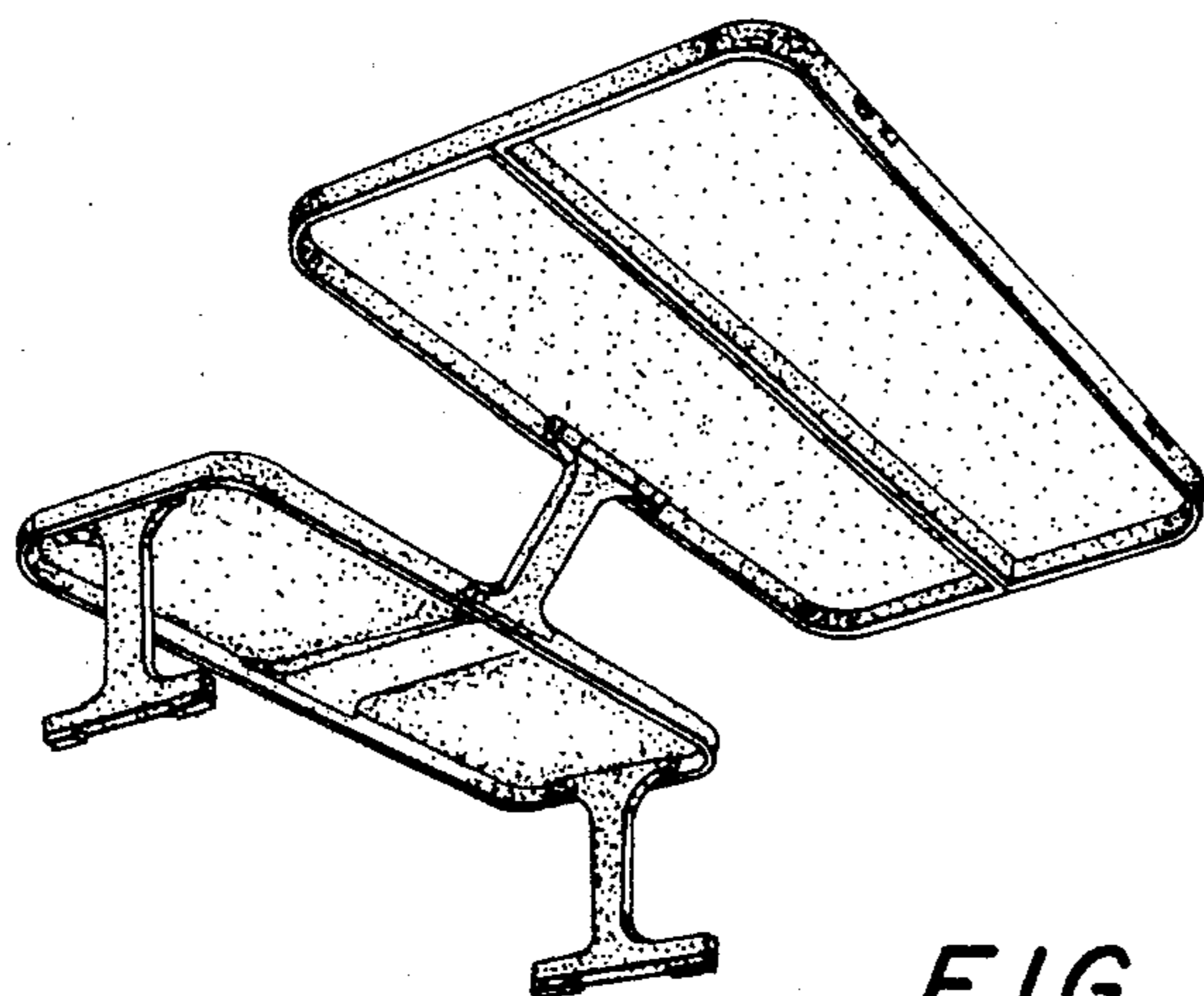




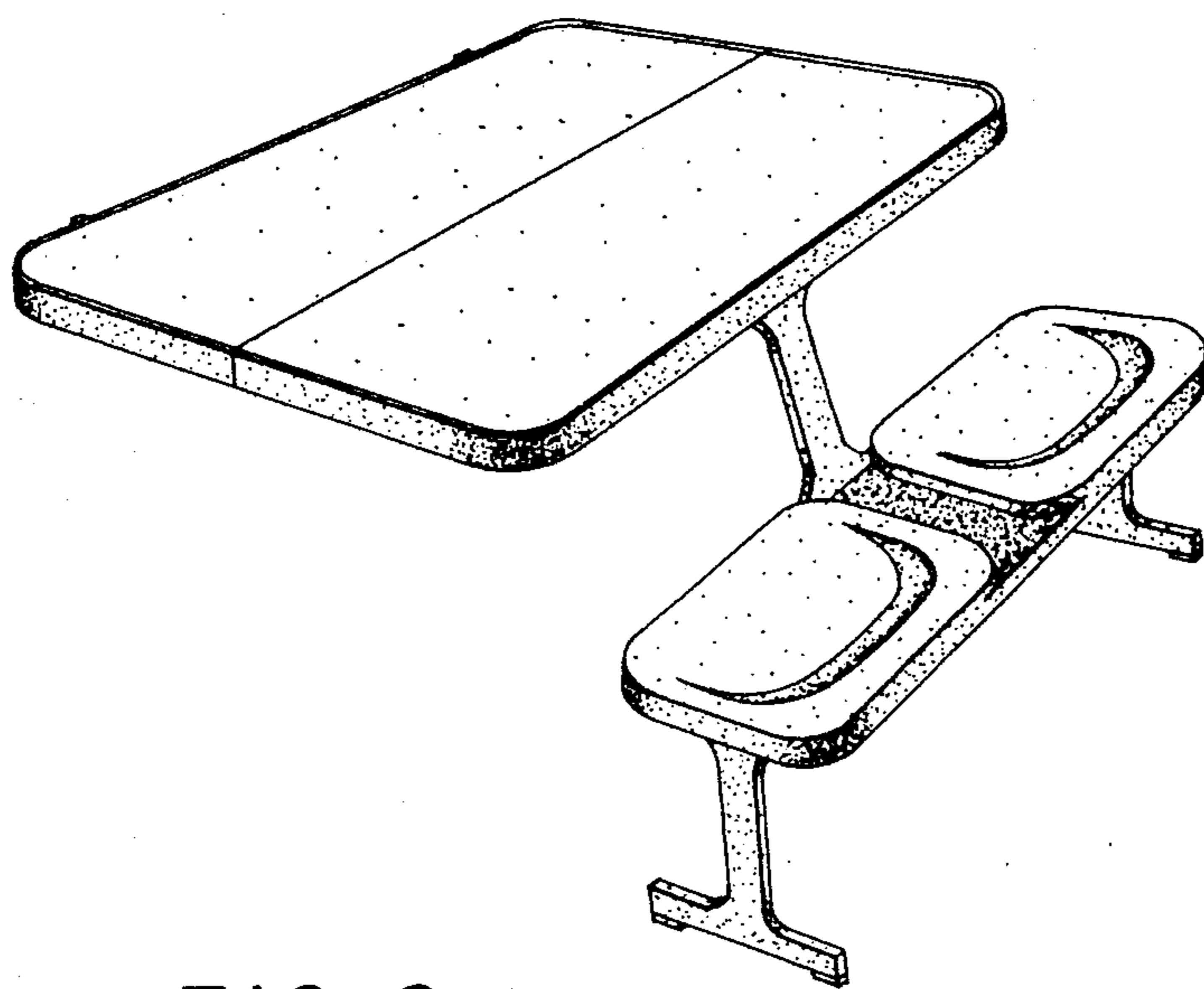
**FIG. 8**



**FIG. 7**



*FIG. 10*



*FIG. 9*