

[54] BABY BATHTUB STAND

[76] Inventor: Luis Valenzuela, 36 Meadow Glen, Brownville, Tex. 78520

[**] Term: 14 Years

[21] Appl. No.: 309,713

[22] Filed: Oct. 8, 1981

[52] U.S. Cl. D6/5; D23/52; D6/179

[58] Field of Search D23/52; D6/5, 179, 196; 4/546, 551, 572, 584, 586, 587, 592-595, 651

[56] References Cited

U.S. PATENT DOCUMENTS

- D. 44,486 8/1913 Merry D23/52
- D. 136,011 7/1943 Doty D6/5
- D. 136,811 12/1943 Doty D6/5
- D. 137,736 4/1944 Morreg D6/5
- D. 142,107 8/1945 Morrey D23/52
- D. 142,253 8/1945 Douglas D23/52

- D. 143,715 2/1946 Douglas D23/52
- 1,409,942 3/1922 Garhis 4/551 X
- 1,451,285 4/1923 Ward 4/551
- 1,466,047 8/1923 Johnstone 4/551
- 1,522,038 1/1925 Stites 4/551
- 1,817,596 8/1931 Whalen 4/551
- 2,481,797 7/1958 Kennedy 4/572
- 2,841,796 7/1958 Kennedy 4/572
- 2,898,608 8/1959 Packard et al. 4/551

Primary Examiner—James R. Largen
Attorney, Agent, or Firm—B. Kreten

[57] CLAIM

The ornamental design for a baby bathtub stand, substantially as shown and described.

DESCRIPTION

FIG. 1 is a perspective view taken from the top, front and left end of a baby bathtub stand showing my new design, the rear being a mirror image of the front shown;

FIG. 2 is a bottom plan view thereof; and
FIG. 3 is a right end elevational view thereof.

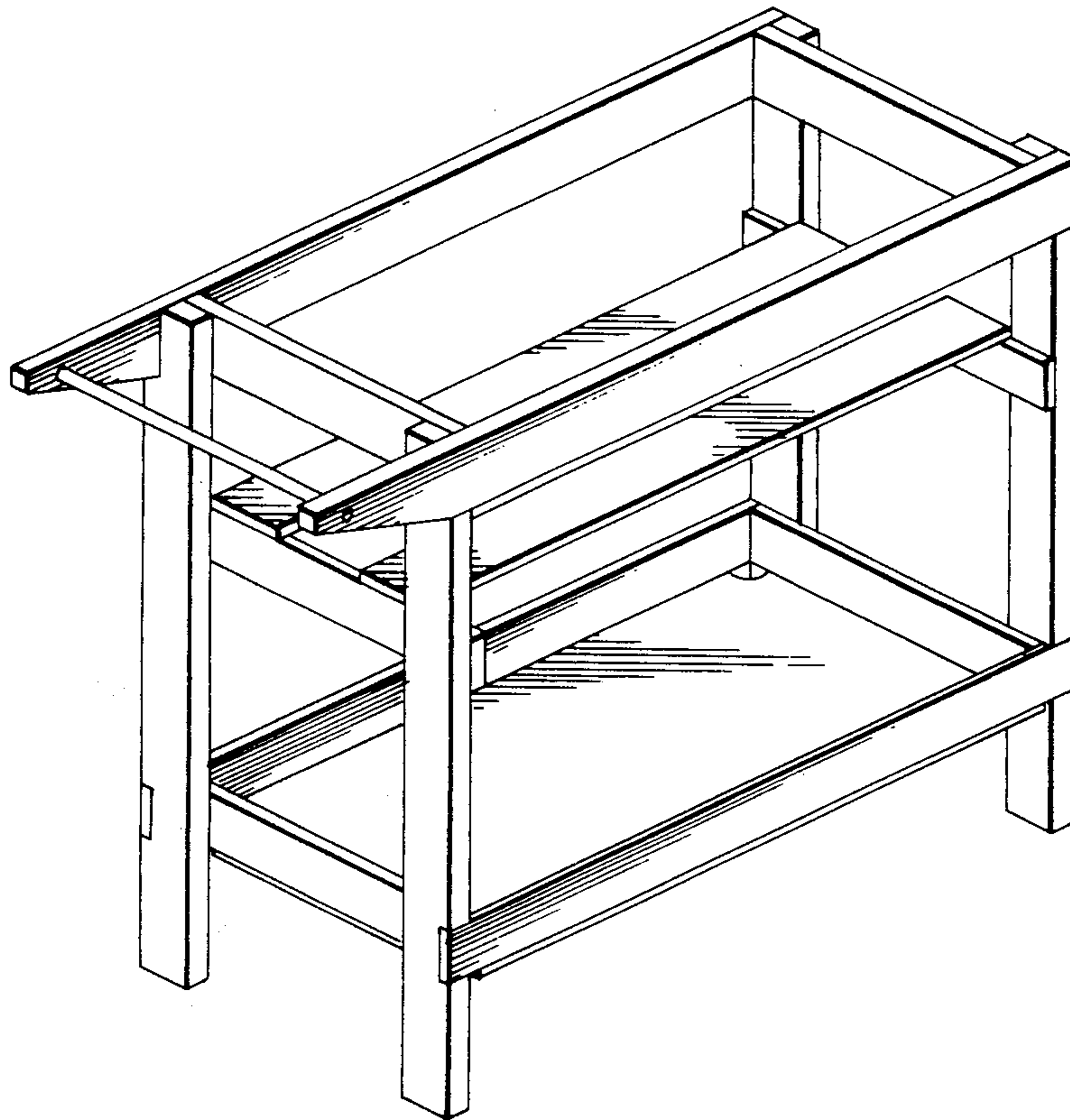


FIG 1

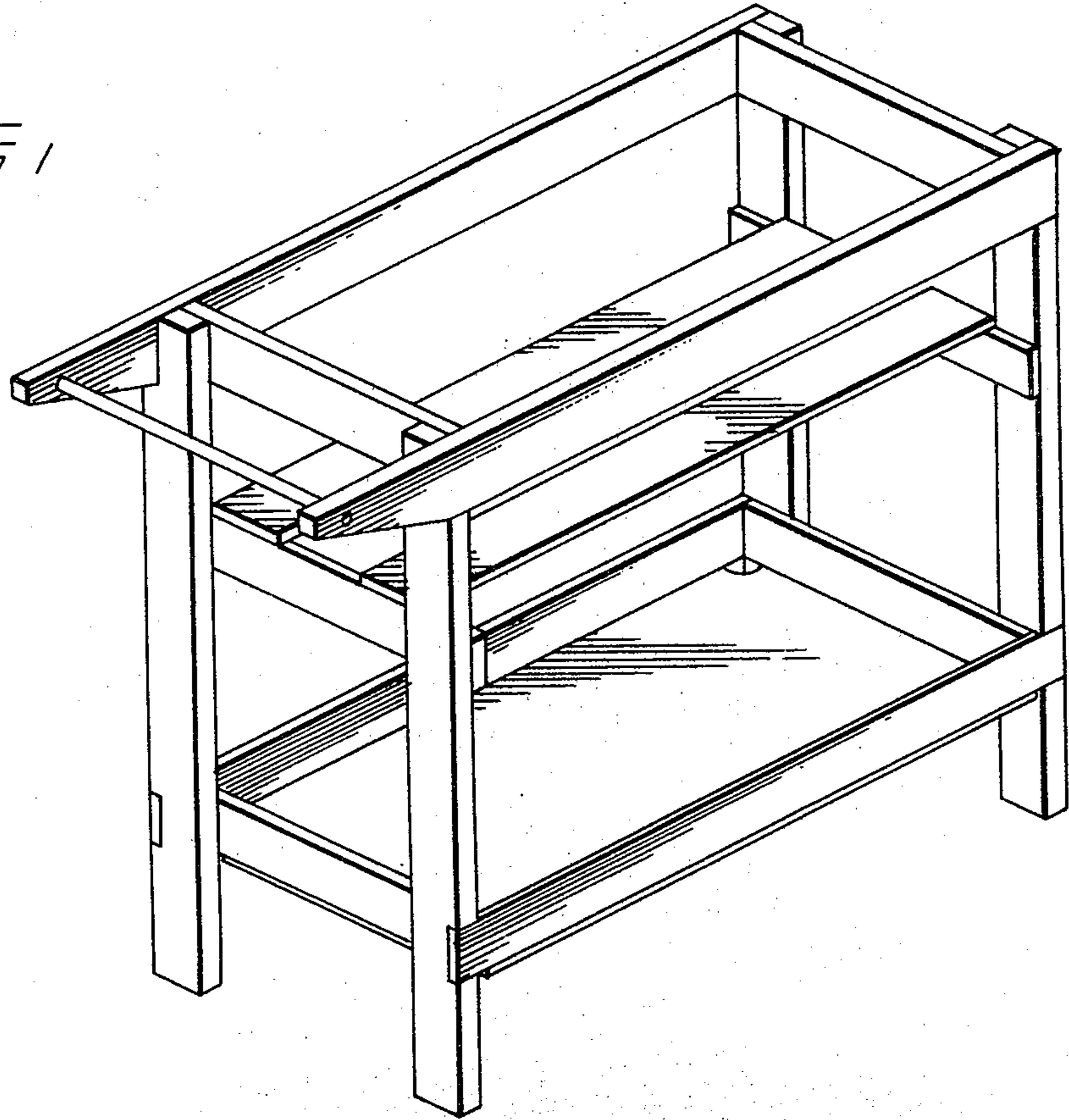


FIG 2

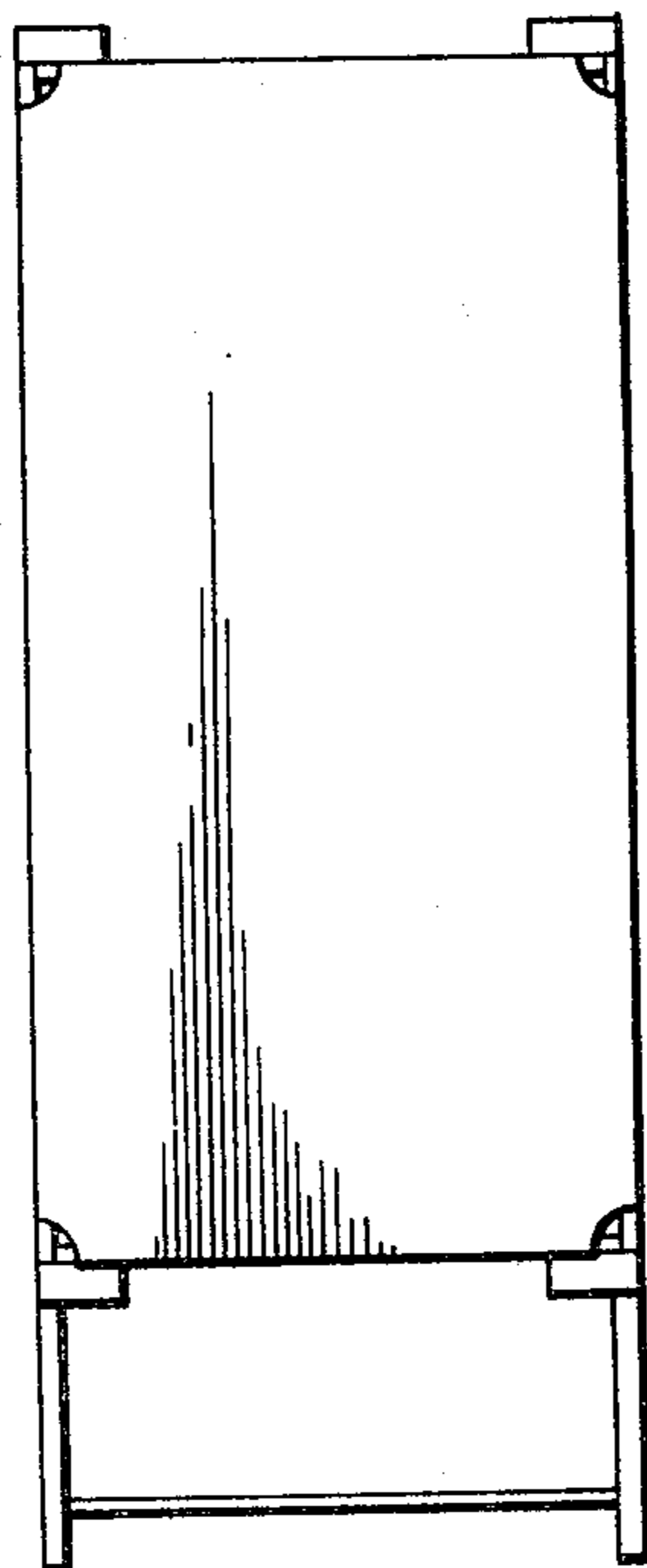


FIG 3

