

[54] TRAY

[75] Inventor: Charles R. Goetz, Pittsburgh, Pa.

[73] Assignee: Stylette Plastics, Inc., Oakdale, Pa.

[**] Term: 14 Years

[21] Appl. No.: 301,637

[22] Filed: Sep. 14, 1981

[52] U.S. Cl. D4/38.2

[58] Field of Search D4/38.2; 15/257.06

[56] References Cited

U.S. PATENT DOCUMENTS

D. 193,382	8/1962	Goetz	D9/2
2,909,797	10/1959	White	15/121.1
3,157,902	11/1964	Hardwick	15/257.06
4,010,866	3/1977	McClane	220/20
4,094,431	6/1978	Wheeler	15/257.06 X

FOREIGN PATENT DOCUMENTS

2455015 5/1976 Fed. Rep. of Germany ... 15/257.06
2500038 7/1976 Fed. Rep. of Germany ... 15/257.06

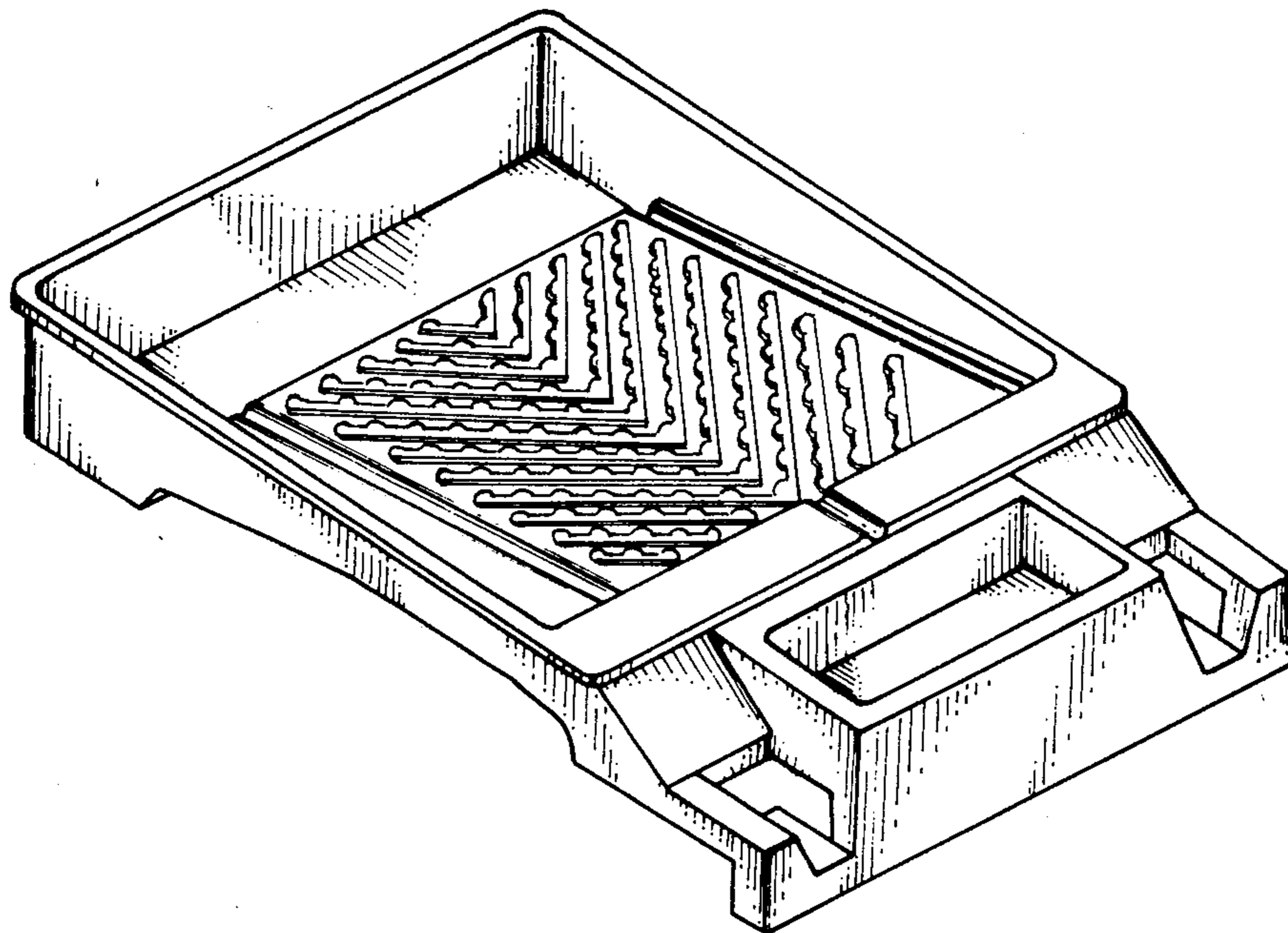
Primary Examiner—Catherine E. Kemper
Attorney, Agent, or Firm—Webb, Burden, Robinson & Webb

[57] CLAIM

The ornamental design for a tray, substantially as shown and described.

DESCRIPTION

FIG. 1 is a perspective view of a tray, showing my new design;
FIG. 2 is a top plan view thereof;
FIG. 3 is a side elevational view thereof;
FIG. 4 is an end elevational view thereof;
FIG. 5 is an elevational view of the opposite end thereof;
FIG. 6 is a bottom plan view thereof.



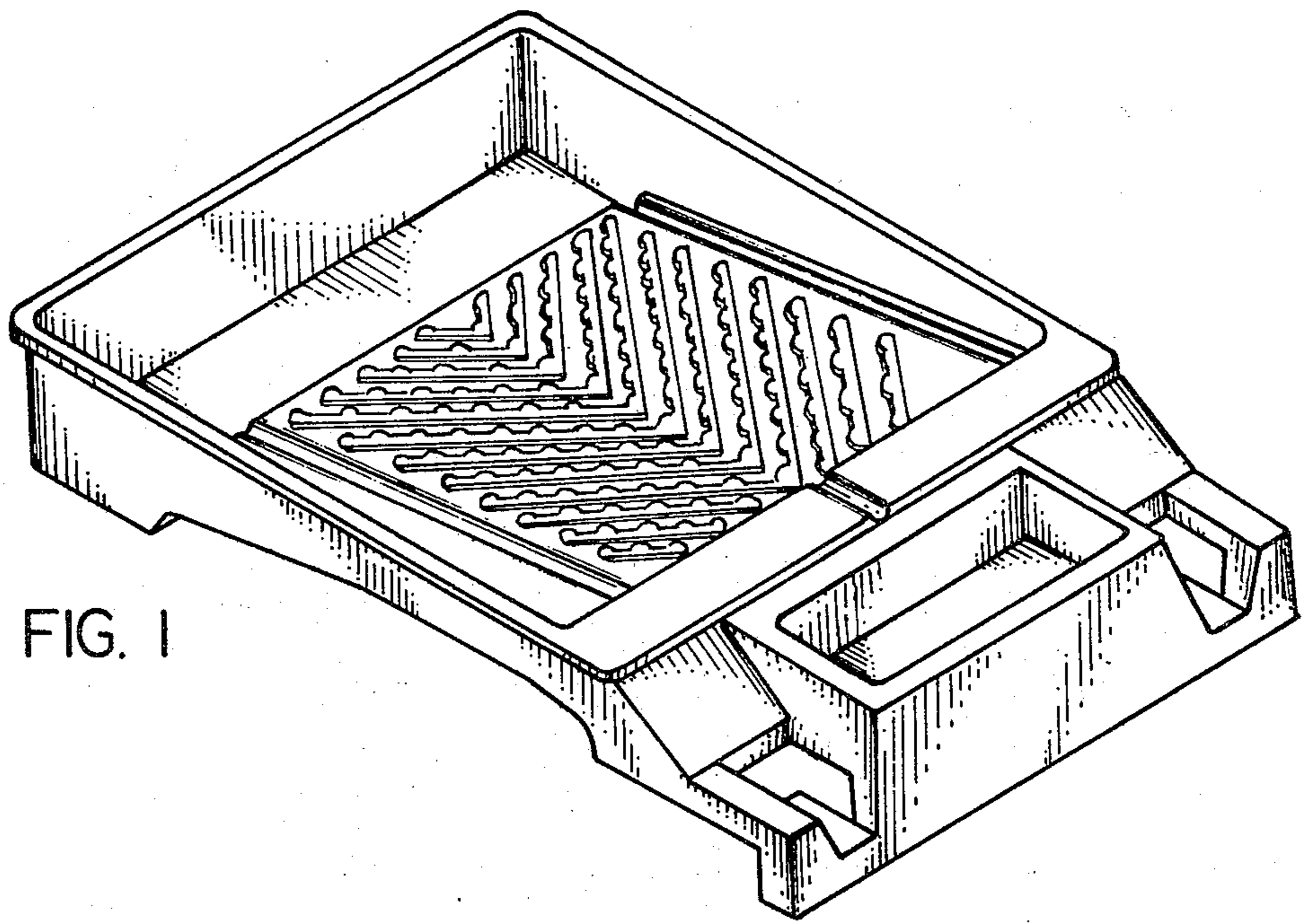


FIG. 1

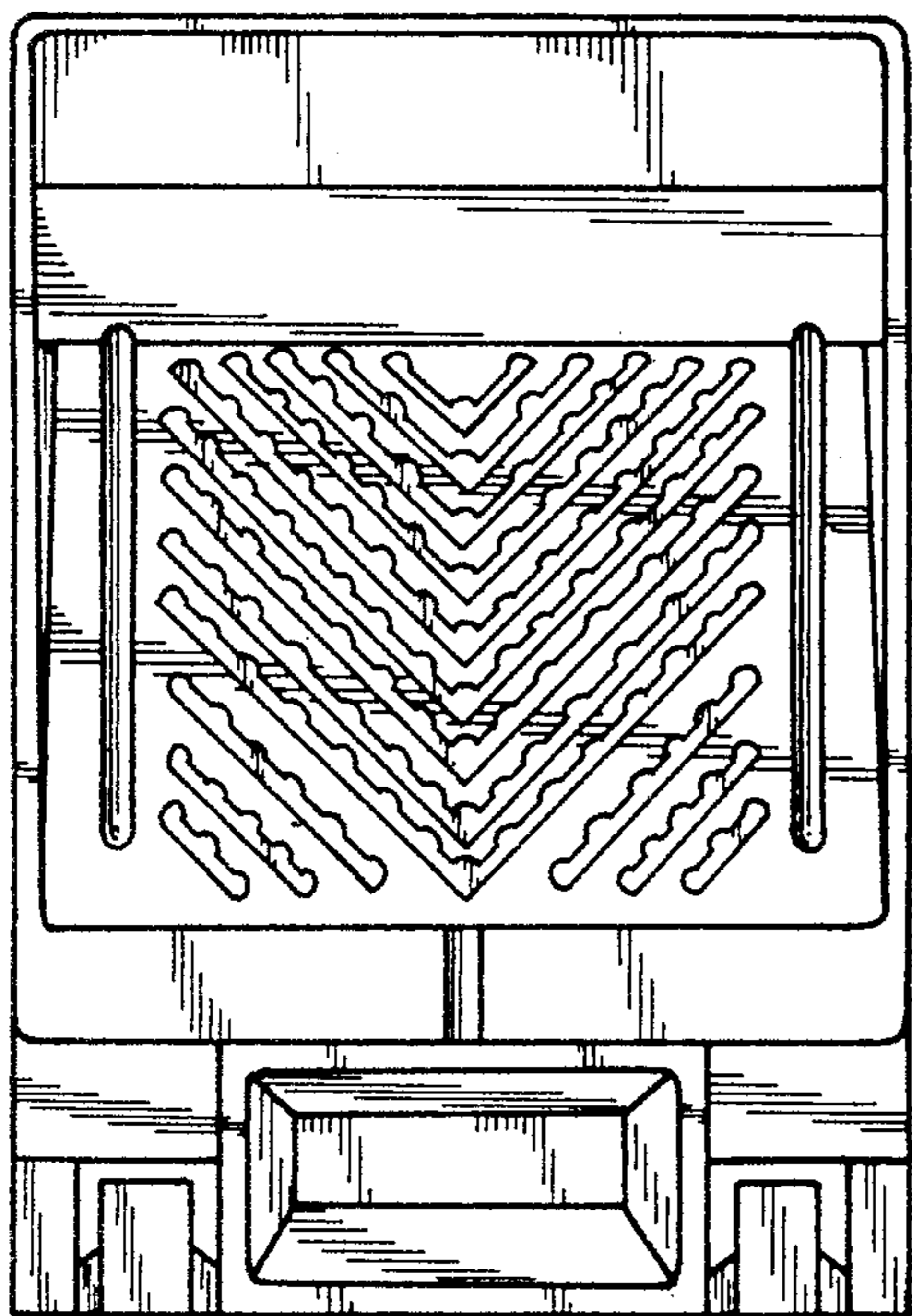


FIG. 2

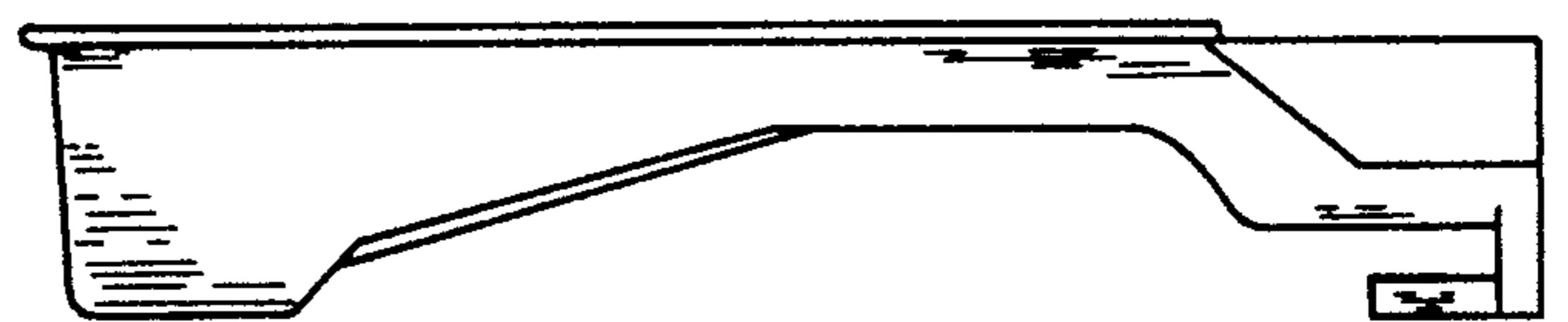


FIG. 3

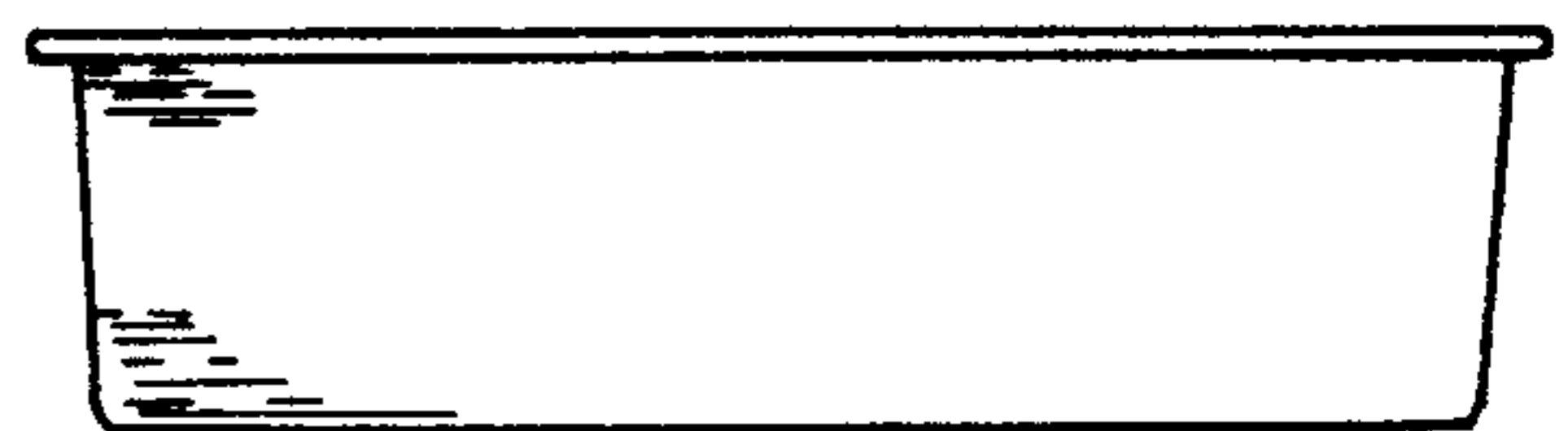


FIG. 4

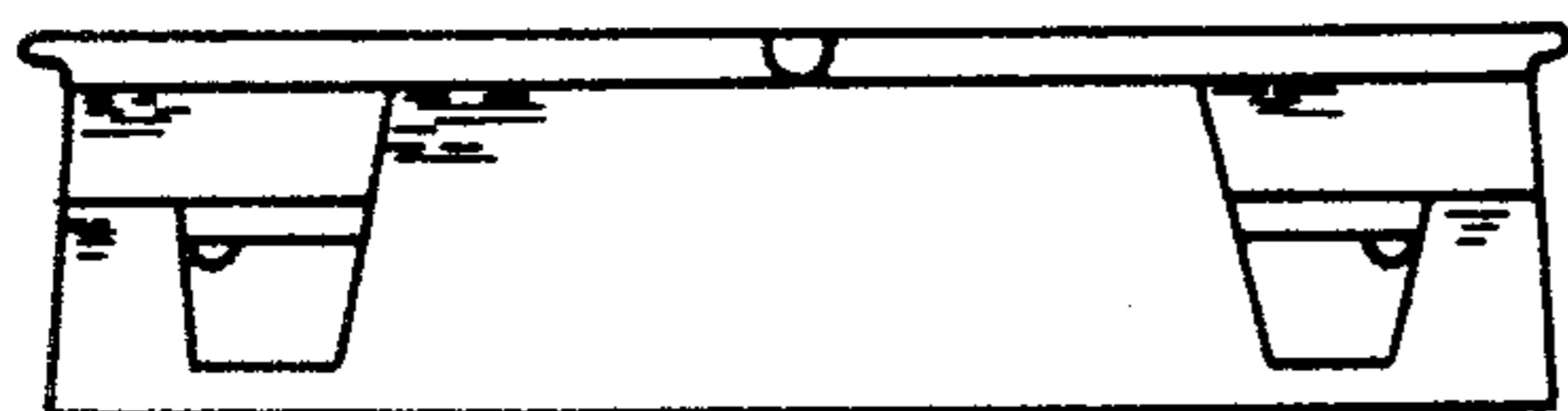


FIG. 5

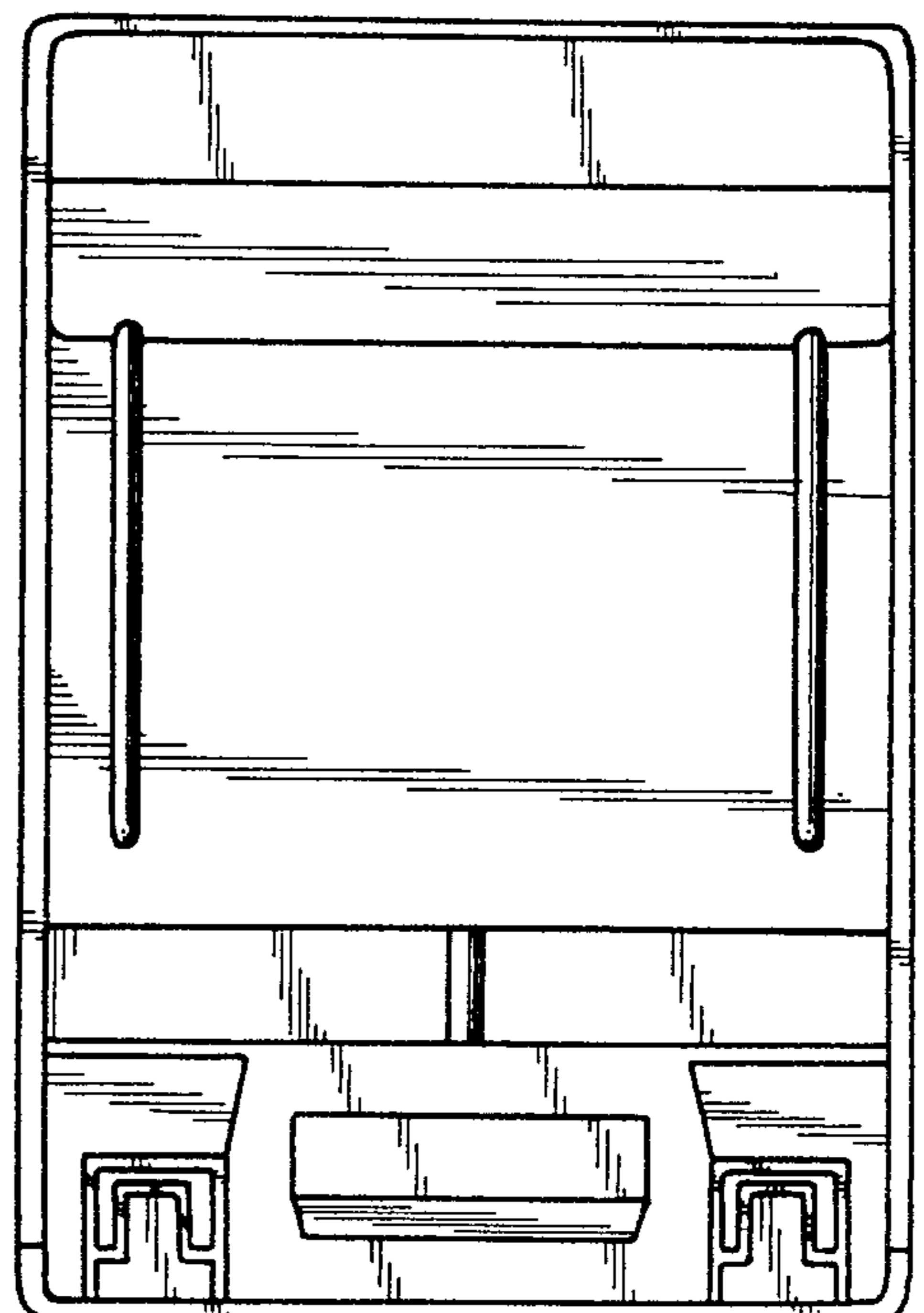


FIG. 6