

[54] FLOPPY DISK HOLDER

[75] Inventor: Peter A. Ronzani, Los Gatos, Calif.

[73] Assignee: Quiet Designs, Inc., Santa Clara, Calif.

[**] Term: 14 Years

[21] Appl. No.: 312,638

[22] Filed: Oct. 19, 1981

[52] U.S. Cl. D3/35; D9/420

[58] Field of Search D3/35; 206/387, 310, 206/311, 45.18, 45.2, 45.23, 425; D9/420, 424, 433; D14/114

[56] References Cited

U.S. PATENT DOCUMENTS

D. 198,343	6/1964	Beck	D9/420
D. 220,989	6/1971	Di Ioia	D3/35
D. 251,273	3/1979	Egly	D3/35
1,378,363	5/1921	List	206/45.23

FOREIGN PATENT DOCUMENTS

434751 9/1935 United Kingdom 206/45.23

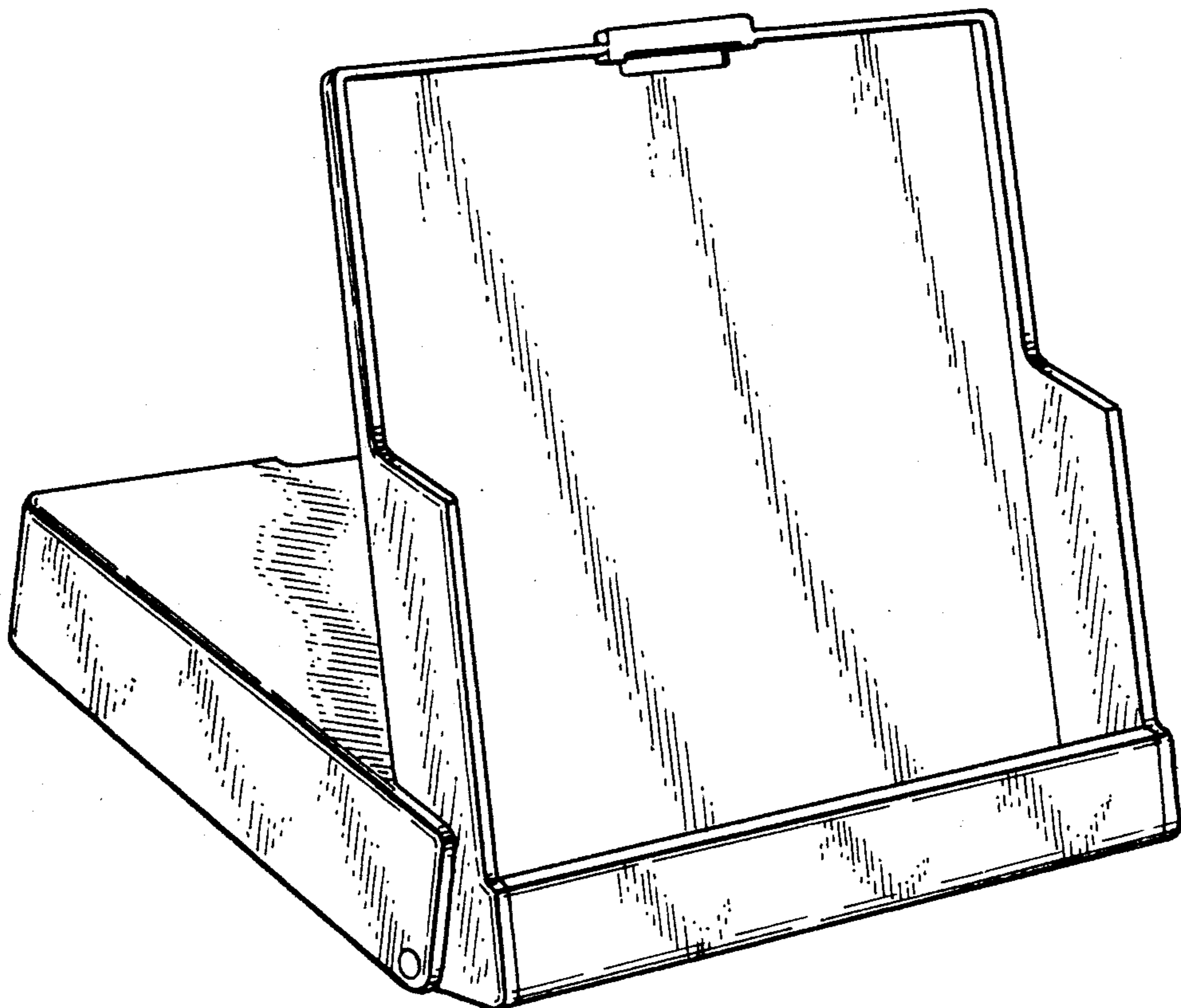
Primary Examiner—Susan J. Lucas
Attorney, Agent, or Firm—Hamrick, Hoffman, Guillot & Kazubowski

[57] CLAIM

The ornamental design for a floppy disk holder, as shown and described.

DESCRIPTION

FIG. 1 is a perspective view of a floppy disk holder showing my new design;
FIG. 2 is a top plan view thereof;
FIG. 3 is a perspective view thereof looking from the right rear in FIG. 1;
FIG. 4 is a bottom plan view thereof;
FIG. 5 is a perspective view thereof looking in the same direction as in FIG. 1, but opened to a position for use; and
FIG. 6 is a top plan view thereof in the open position of FIG. 5.



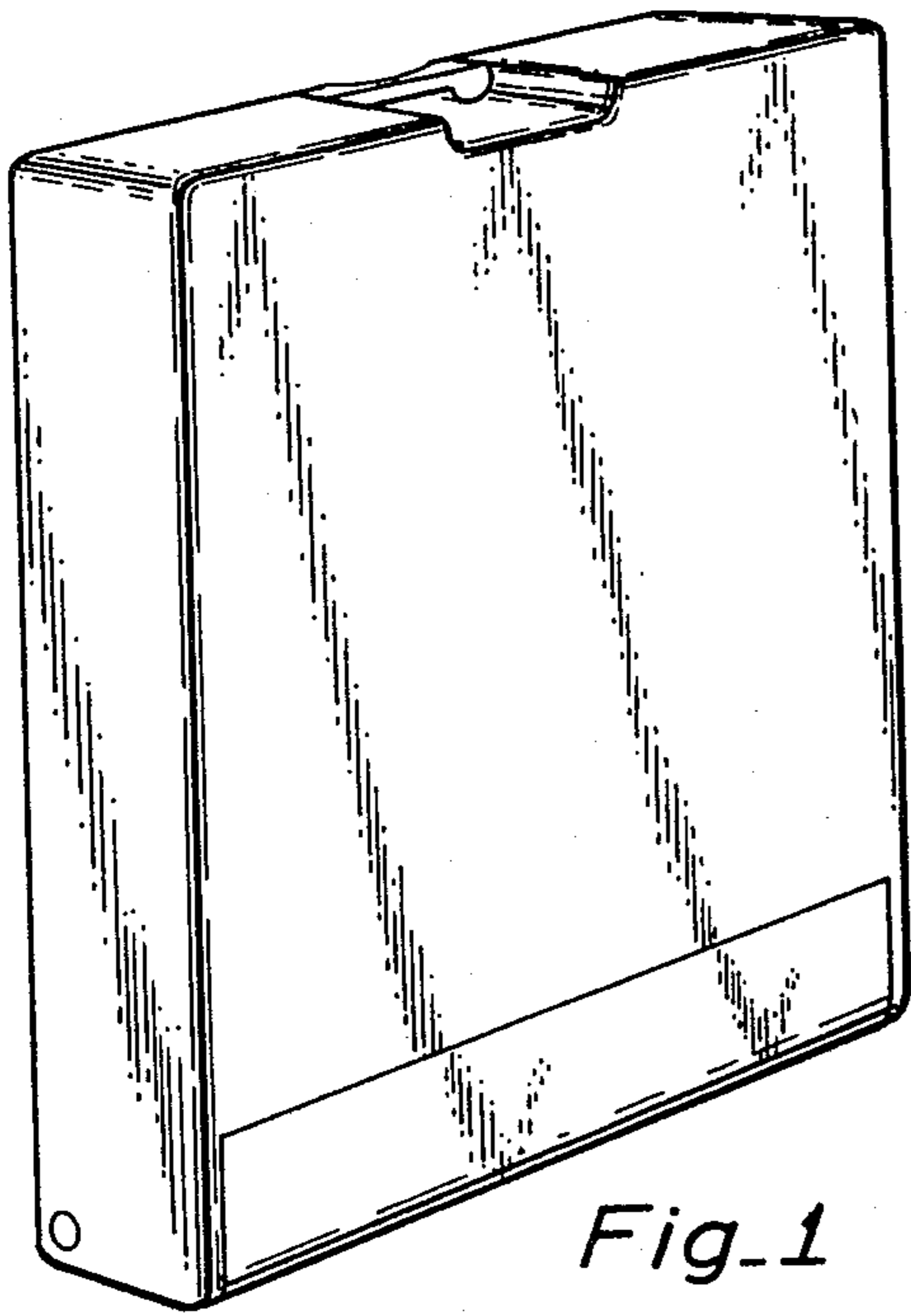


Fig-1

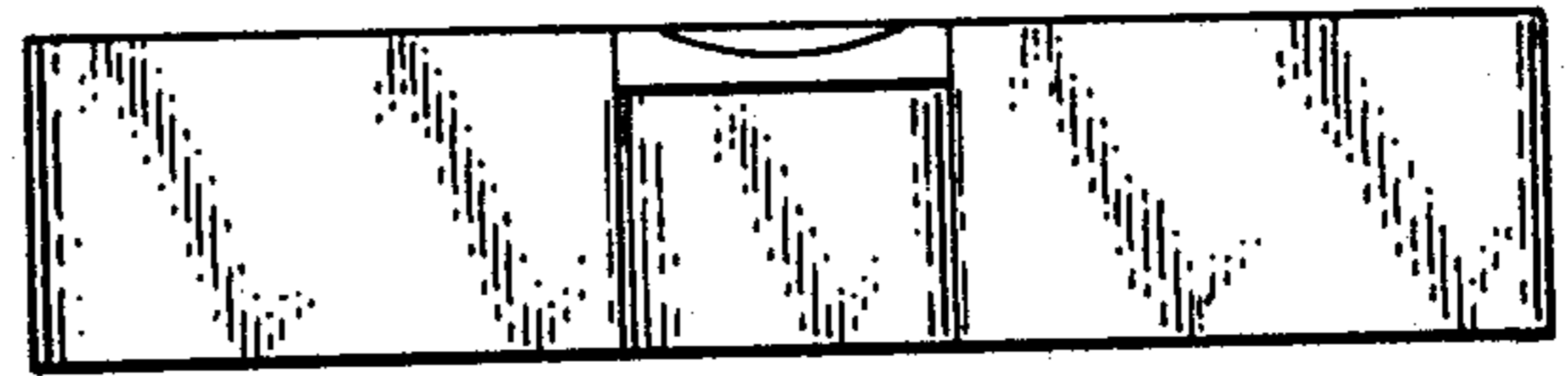


Fig-2

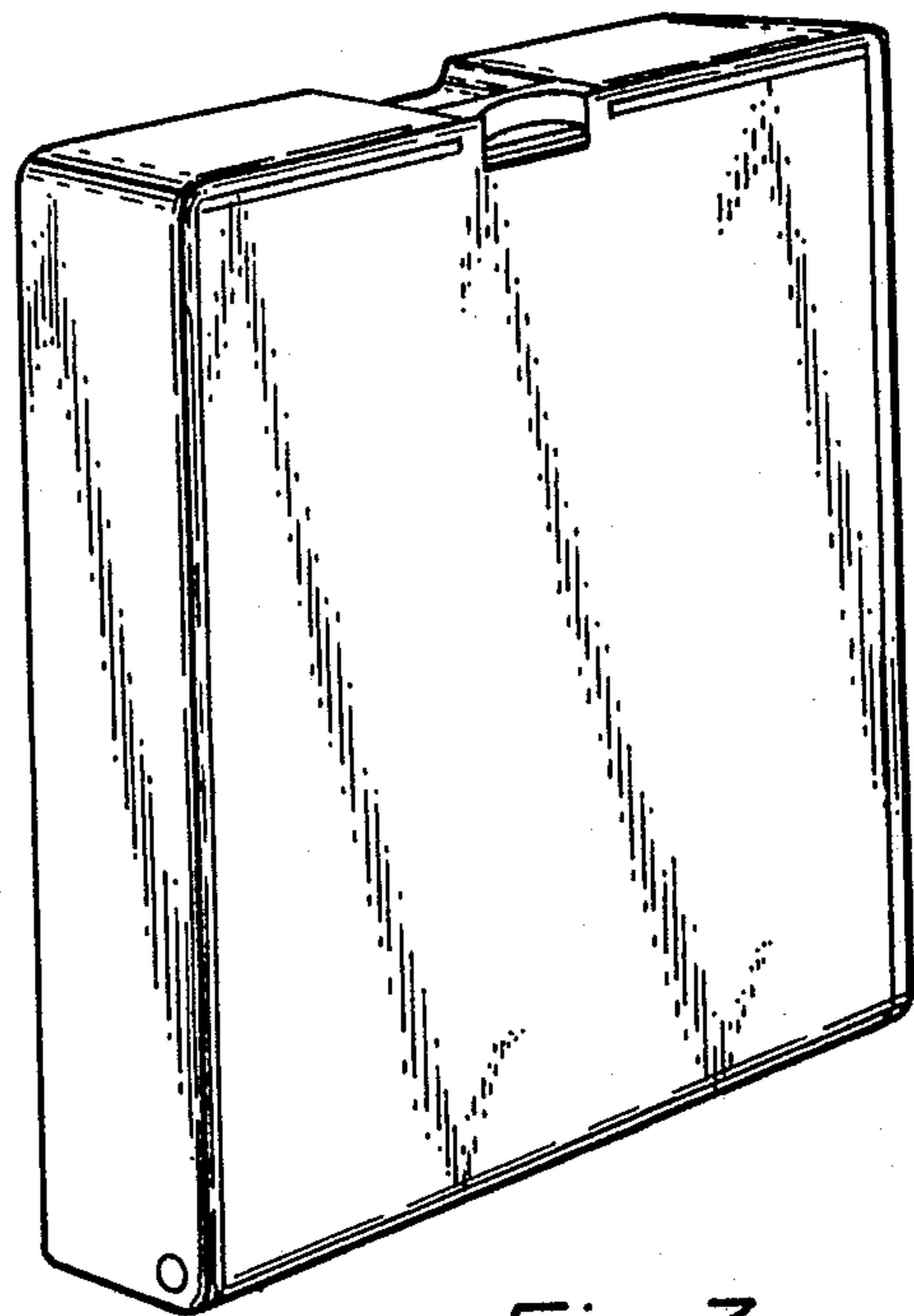


Fig-3



Fig-4

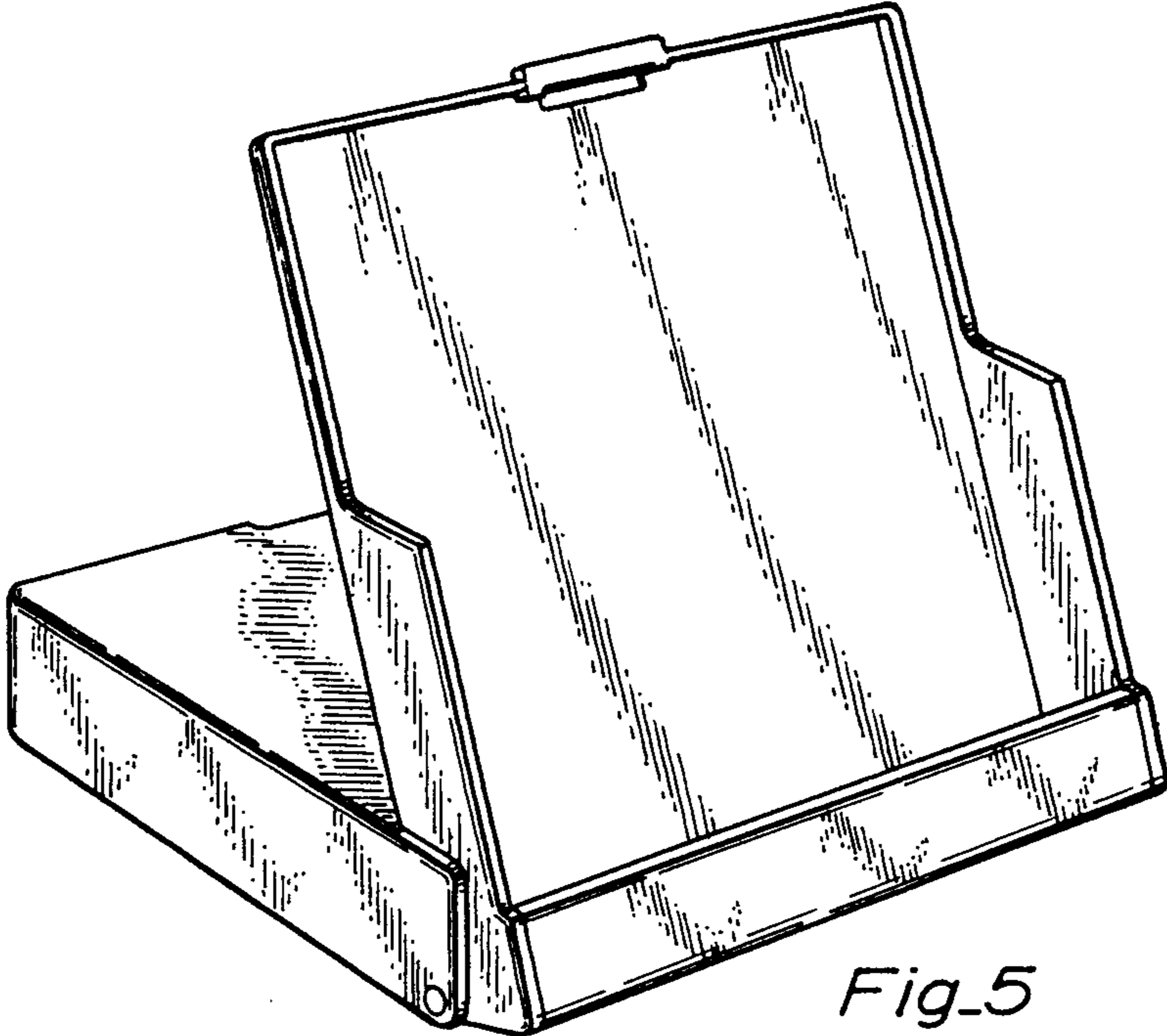


Fig. 5

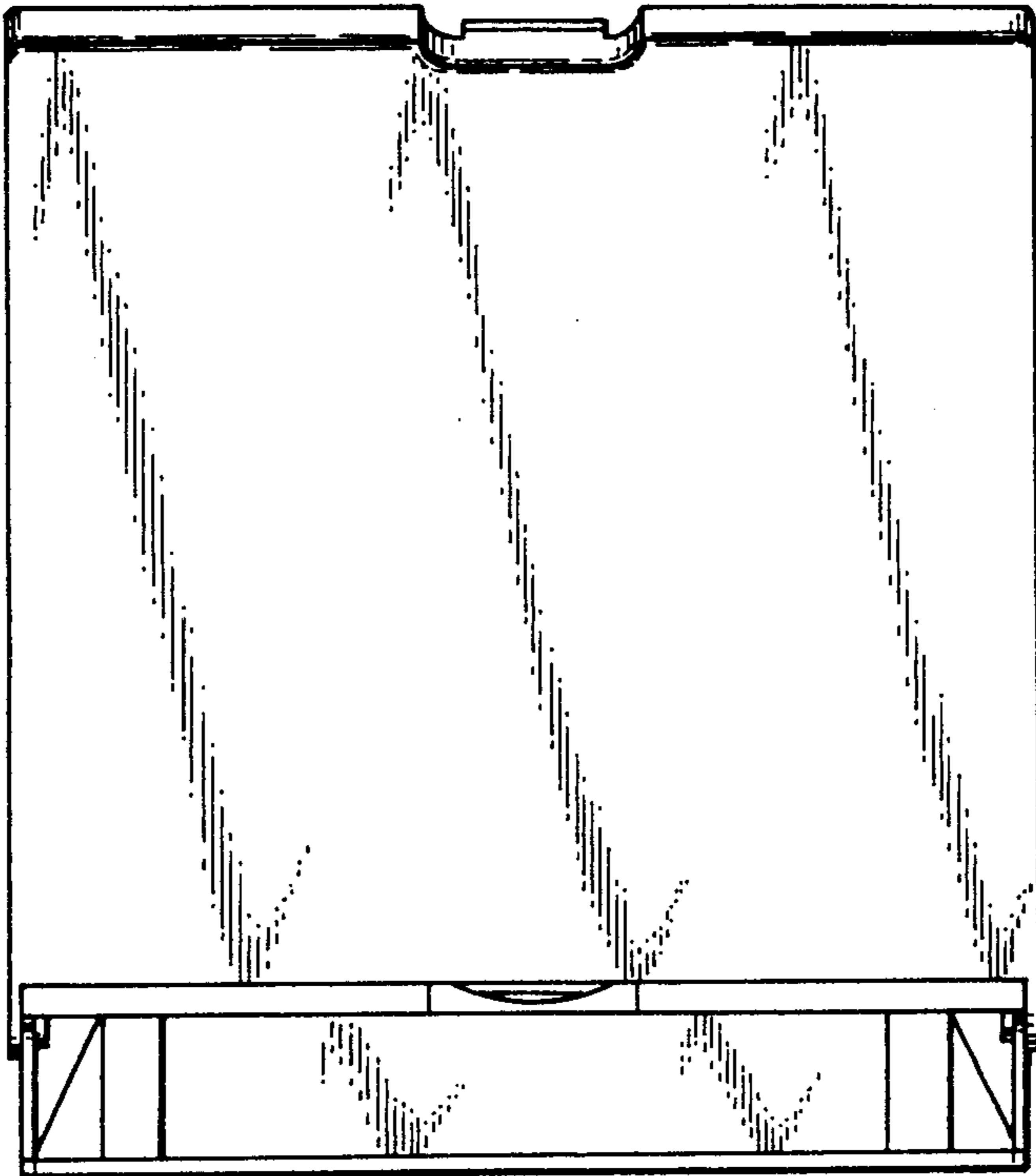


Fig. 6