

[54] NECKTIE FASTENER

[76] Inventor: Warren O. Romberger, 904 NW. 59th St., Oklahoma City, Okla. 73118

[**] Term: 14 Years

[21] Appl. No.: 350,083

[22] Filed: Feb. 18, 1982

[52] U.S. Cl. D2/401; D2/405; D2/428

[58] Field of Search D2/405, 407, 428, 401, D2/400, 425; 24/49 R, 49 KC, 49 CC, 49 CP, 49 TS, 60, 61, 62, 63, 64; 2/152 A, 152 R

[56] References Cited

U.S. PATENT DOCUMENTS

D. 26,192 10/1896 Thomas D2/400

600,295 3/1898 Scales 24/60
1,387,878 8/1921 Allen D2/425 X
1,414,412 5/1922 Hill 24/60 X

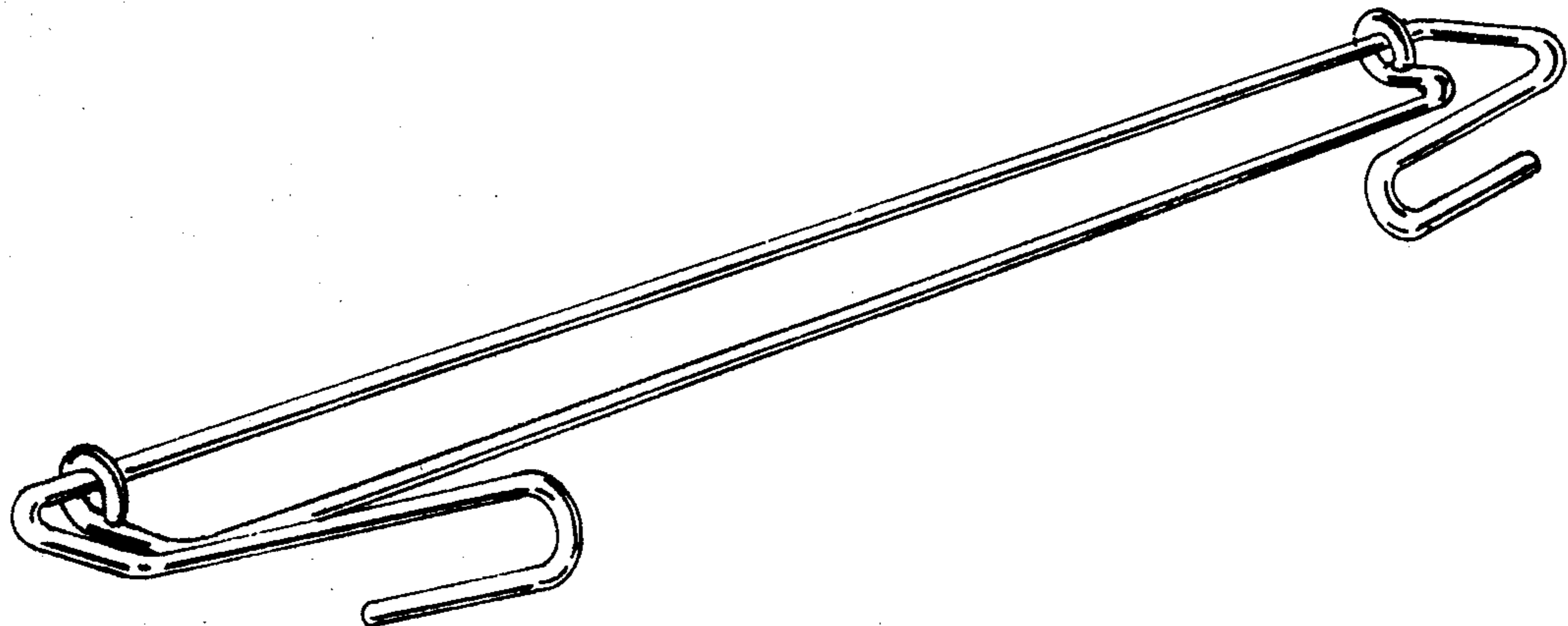
Primary Examiner—Nelson C. Holtje
Assistant Examiner—Carmen H. Vales
Attorney, Agent, or Firm—Dunlap & Codding

[57] CLAIM

The ornamental design for a necktie fastener, as shown and described.

DESCRIPTION

FIG. 1 is a perspective view of a necktie fastener showing my new design;
FIG. 2 is a left end elevational view thereof;
FIG. 3 is a right end elevational view thereof;
FIG. 4 is a top plan view thereof; and
FIG. 5 is a rear elevational view thereof.



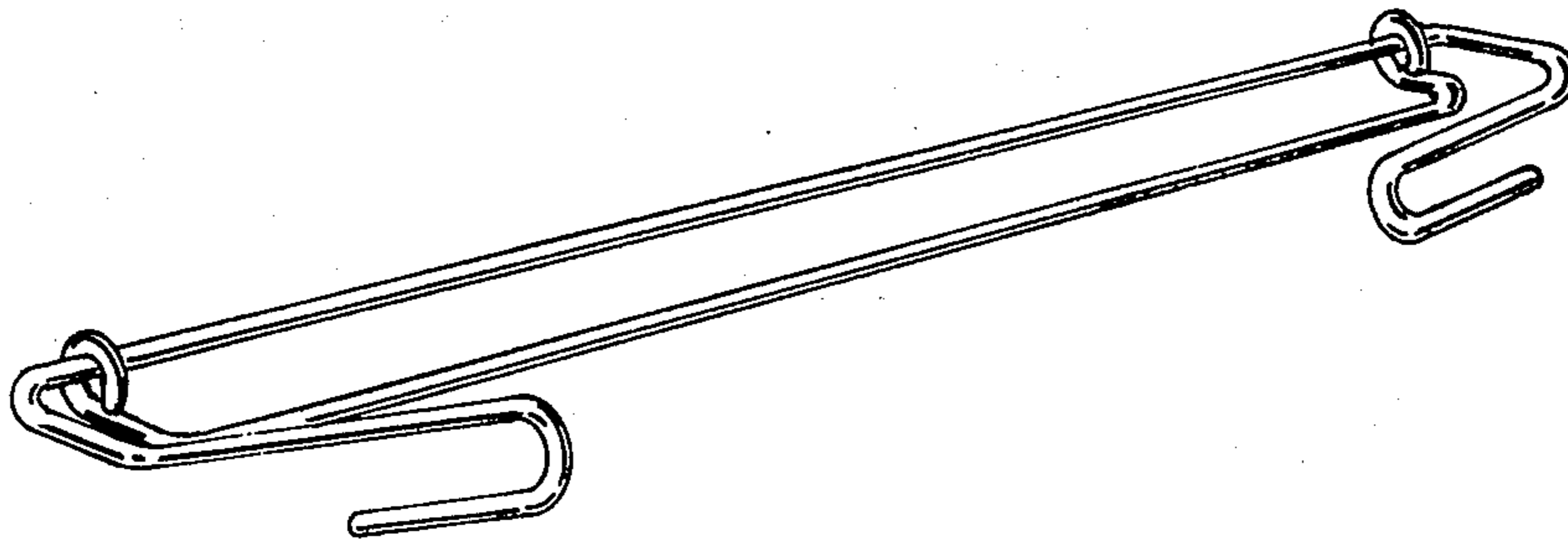


FIG. 1



FIG. 2

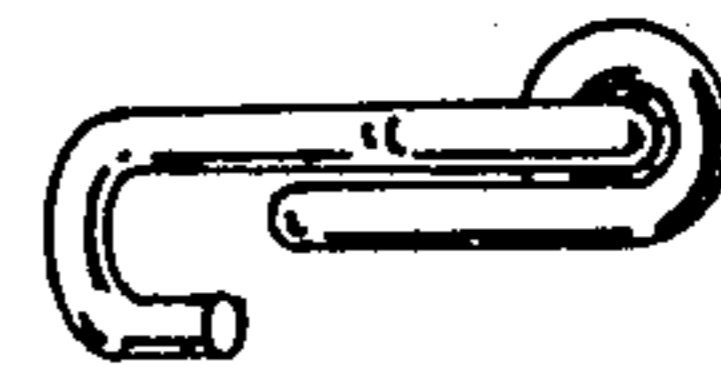


FIG. 3

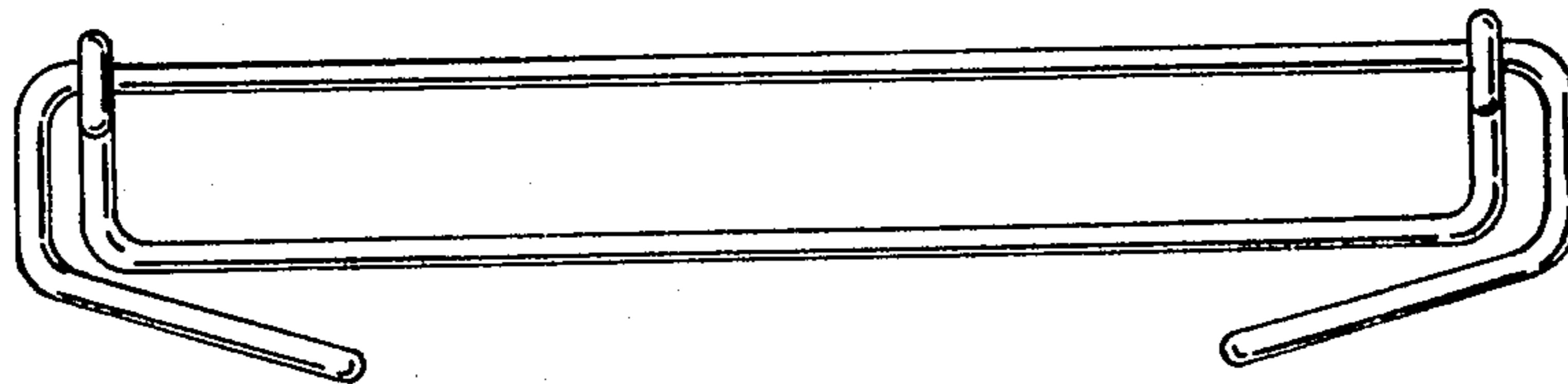


FIG. 4

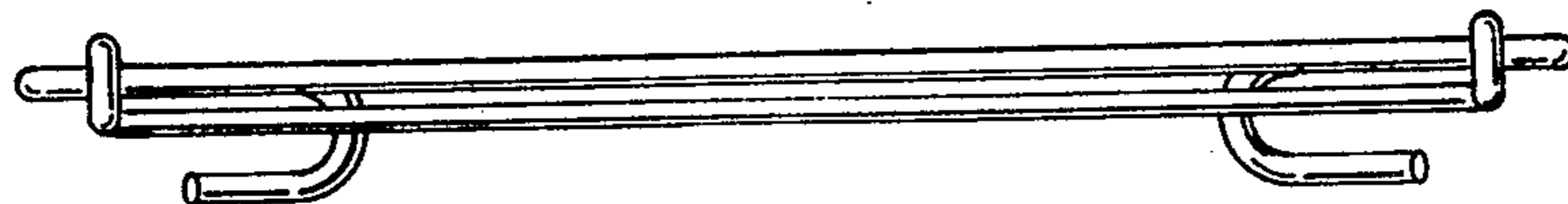


FIG. 5