

[54] **PIPE**  
[76] **Inventor: Robert B. Sher, P.O. Box 5551,  
Walnut Creek, Calif. 94596**  
[\*\*] **Term: 14 Years**  
[21] **Appl. No.: 405,532**  
[22] **Filed: Aug. 5, 1982**  
[52] **U.S. Cl. .... D27/3**  
[58] **Field of Search ..... D27/2-7;  
131/173**

D. 265,935 8/1982 Sher ..... D27/3  
D. 265,936 8/1982 Sher ..... D27/3  
D. 266,605 10/1982 Sher ..... D27/3

*Primary Examiner*—Catherine E. Kemper  
*Attorney, Agent, or Firm*—Limbach, Limbach & Sutton

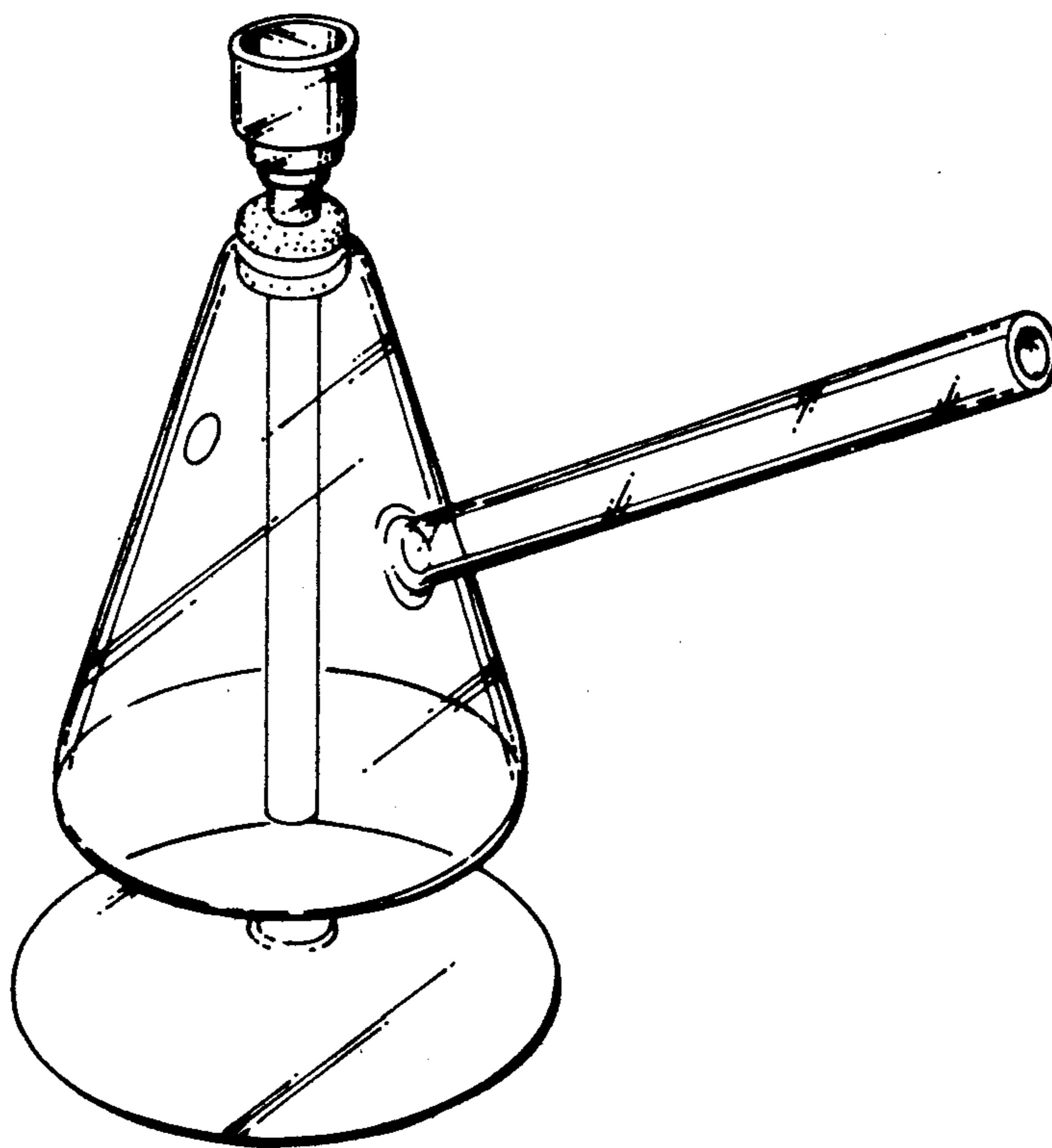
[57] **CLAIM**

The ornamental design for a pipe, as shown and described.

**DESCRIPTION**

FIG. 1 is a perspective view of a pipe showing my new design;  
FIG. 2 is a top plan view thereof;  
FIG. 3 is a right elevational view thereof;  
FIG. 4 is a rear elevational view thereof; and,  
FIG. 5 is a bottom plan view thereof.

[56] **References Cited**  
**U.S. PATENT DOCUMENTS**  
D. 262,143 12/1981 Sher ..... D27/3  
D. 265,766 8/1982 Sher ..... D27/3



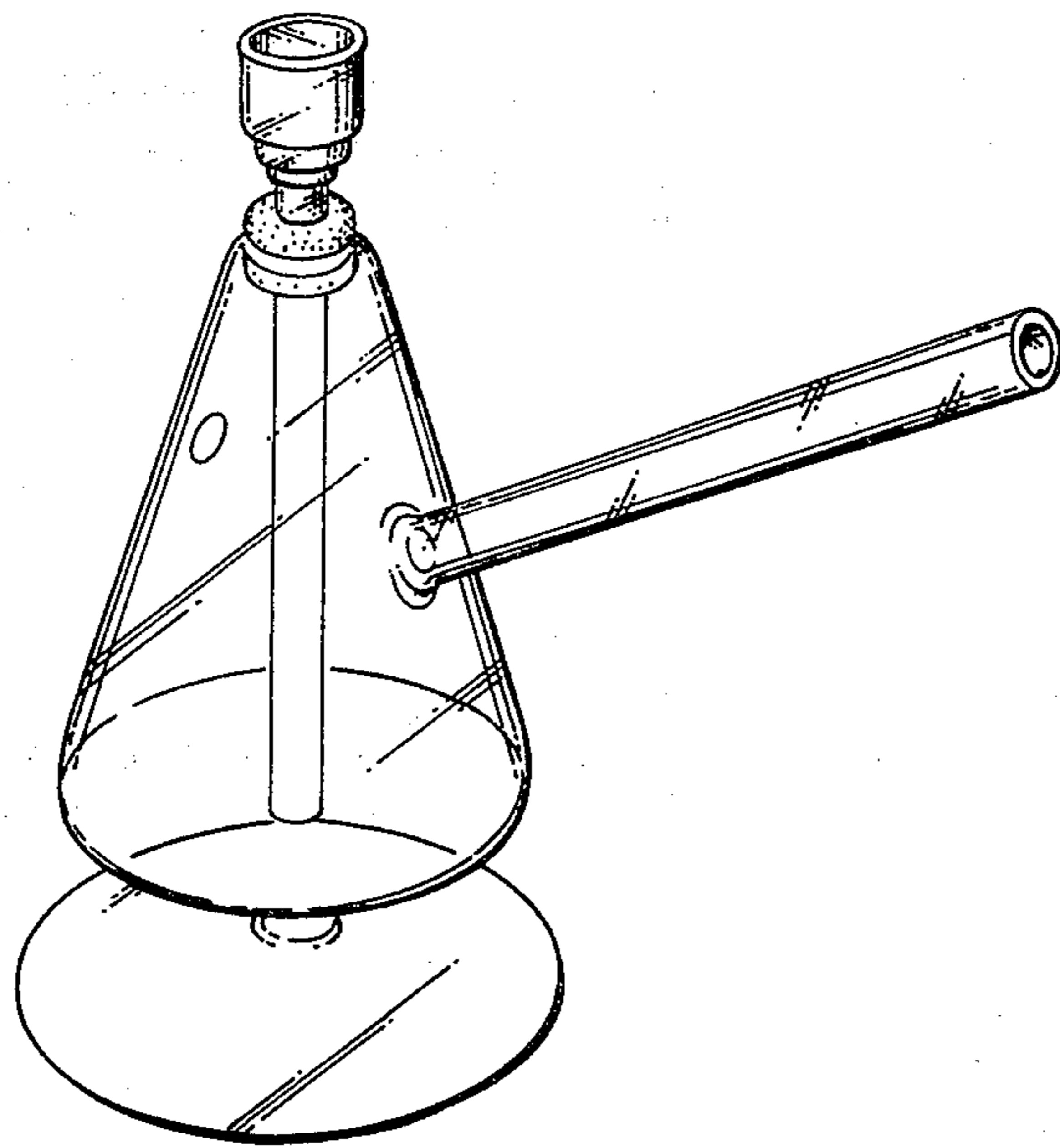


FIG. 1.

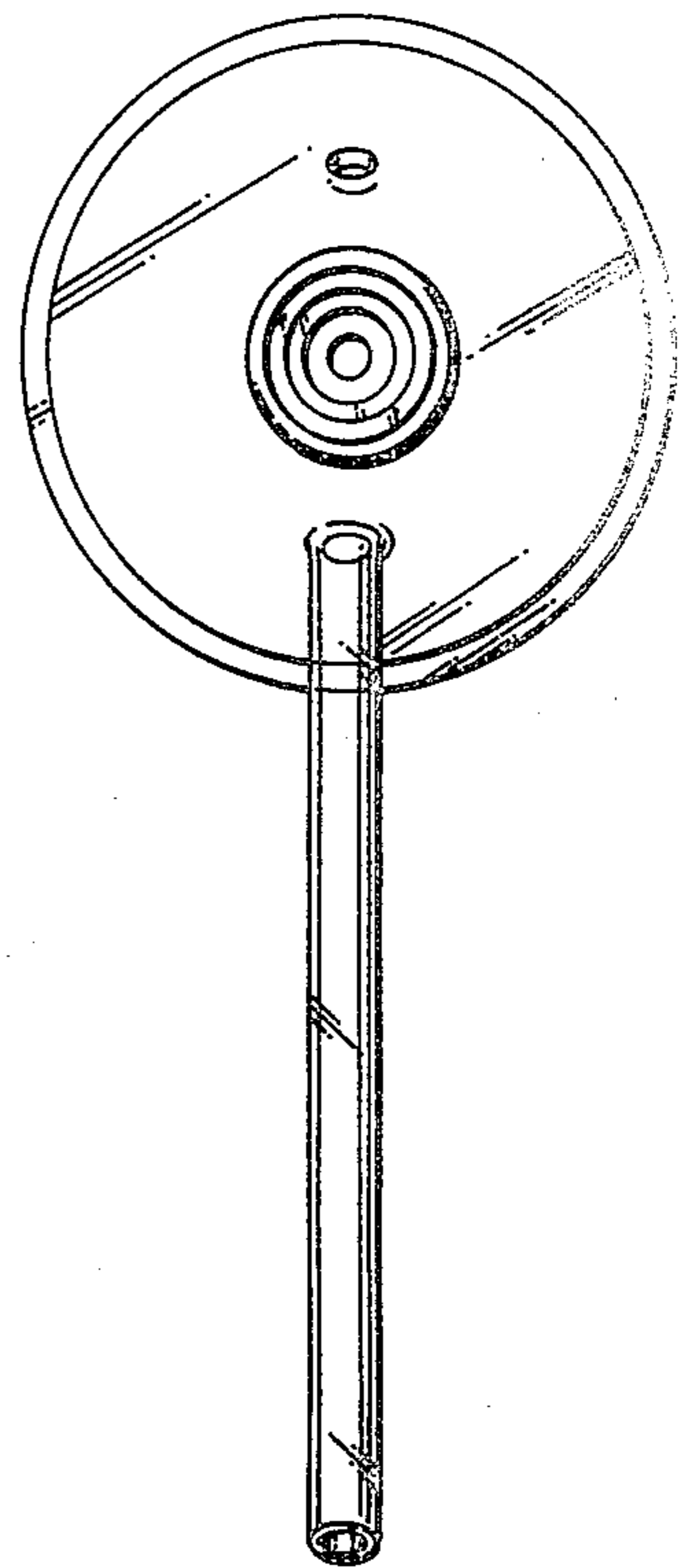


FIG. 2.

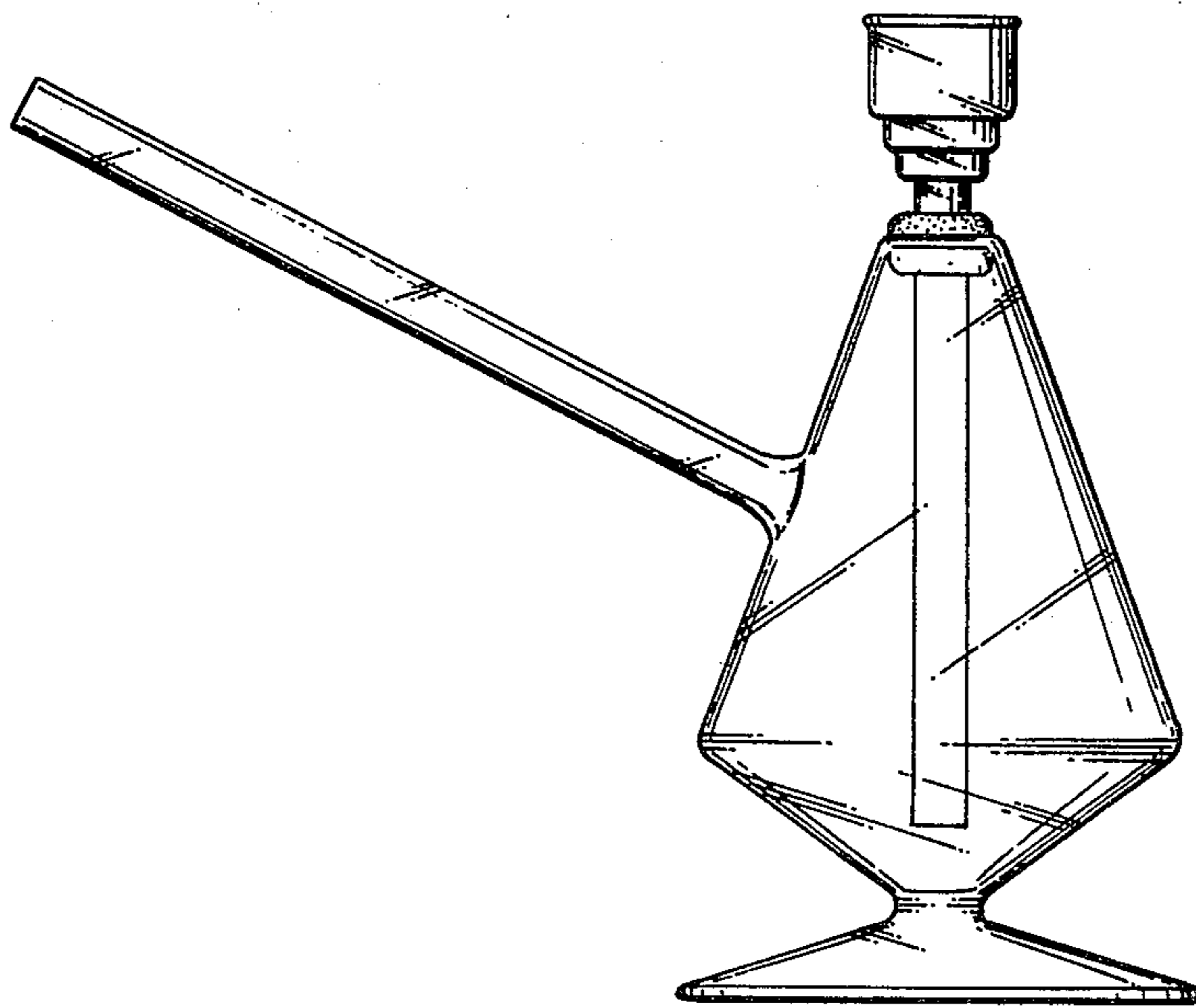


FIG. 3.

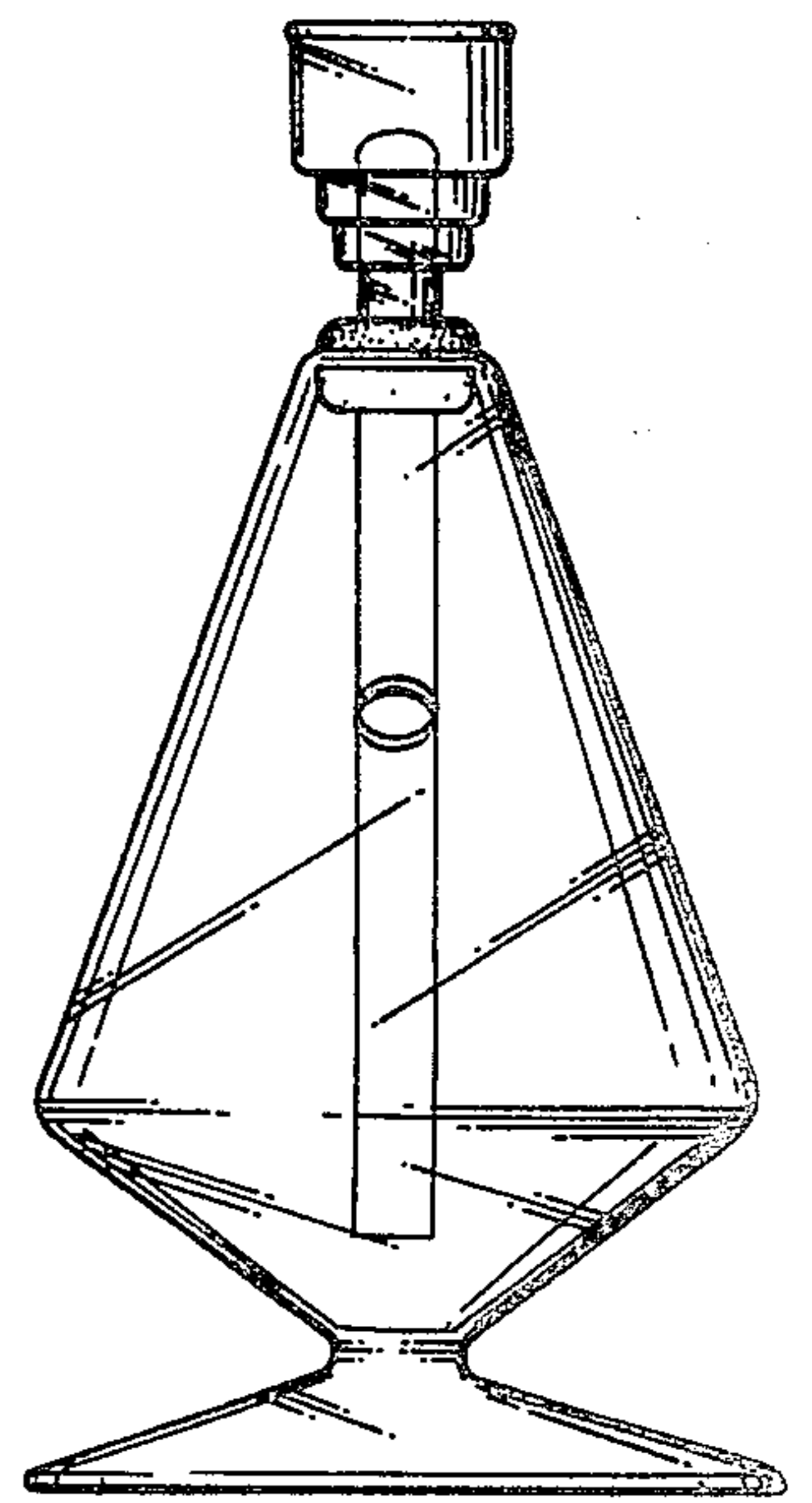


FIG. 4.

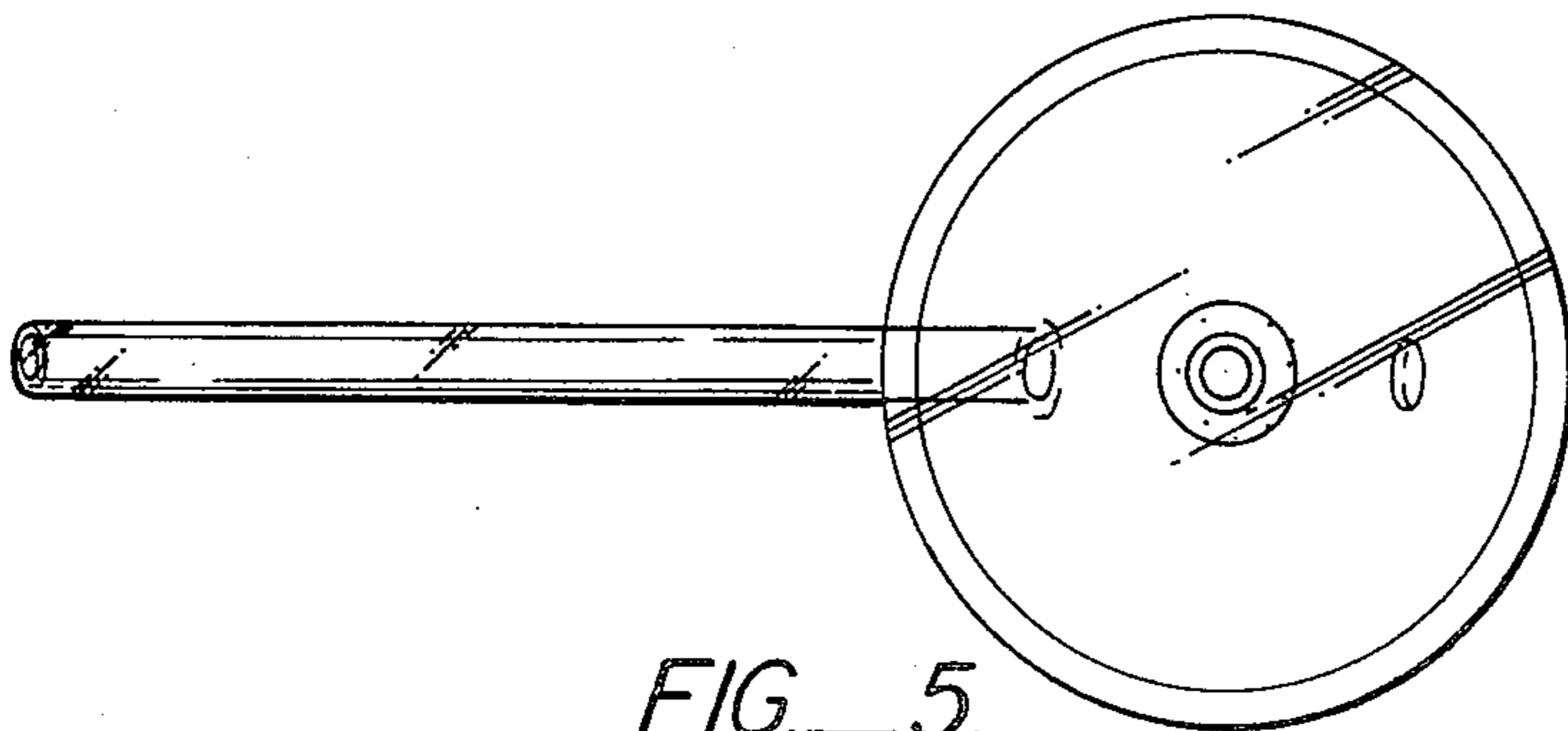


FIG. 5.