

[54] PIPE

[76] Inventor: Robert B. Sher, P.O. Box 5551,
Walnut Creek, Calif. 94596

[**] Term: 14 Years

[21] Appl. No.: 405,353

[22] Filed: Aug. 5, 1982

[52] U.S. Cl. D27/03

[58] Field of Search D27/2-7;
131/173

D. 265,935 8/1982 Sher D27/3

D. 265,936 8/1982 Sher D27/3

D. 266,605 10/1982 Sher D27/3

Primary Examiner—Catherine E. Kemper
Attorney, Agent, or Firm—Limbach, Limbach & Sutton

[57] CLAIM

The ornamental design for a pipe, as shown and described.

DESCRIPTION

FIG. 1 is a perspective view of a pipe showing my new design;

FIG. 2 is a top plan view thereof;

FIG. 3 is a right elevational view thereof;

FIG. 4 is a rear elevational view thereof; and

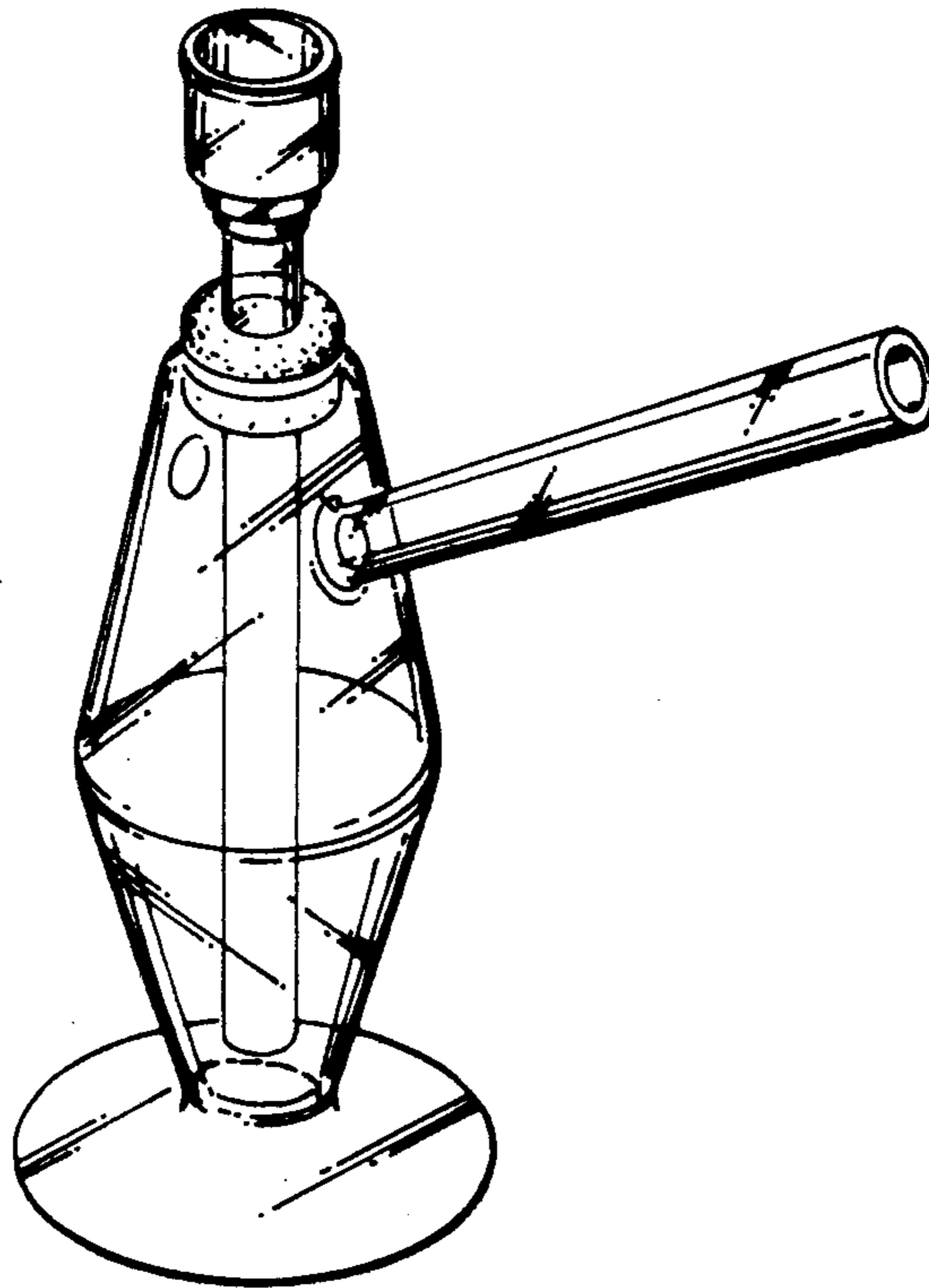
FIG. 5 is a bottom plan view thereof.

[56] References Cited

U.S. PATENT DOCUMENTS

D. 262,143 12/1981 Sher D27/3

D. 265,766 8/1982 Sher D27/3



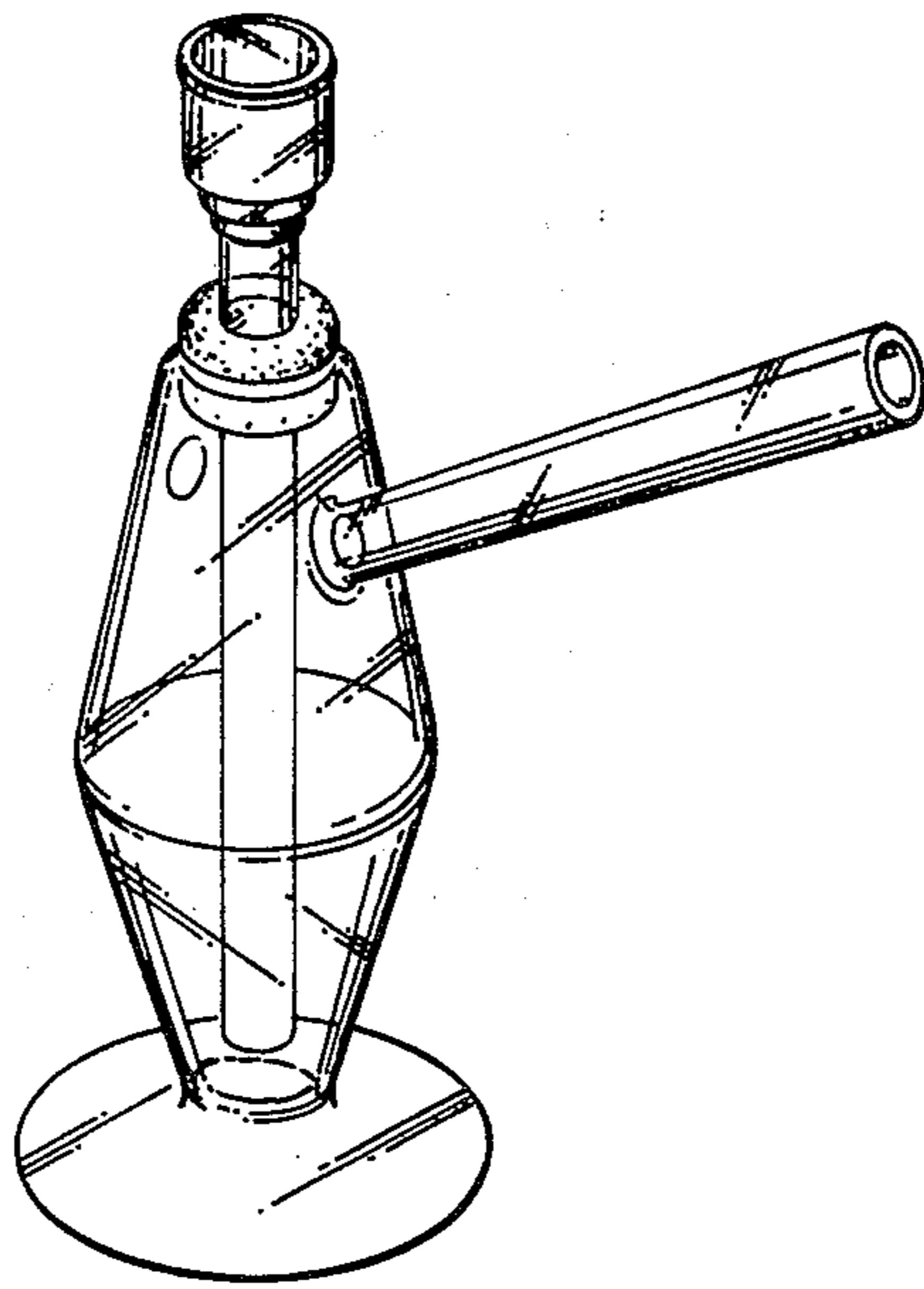


FIG. 1.

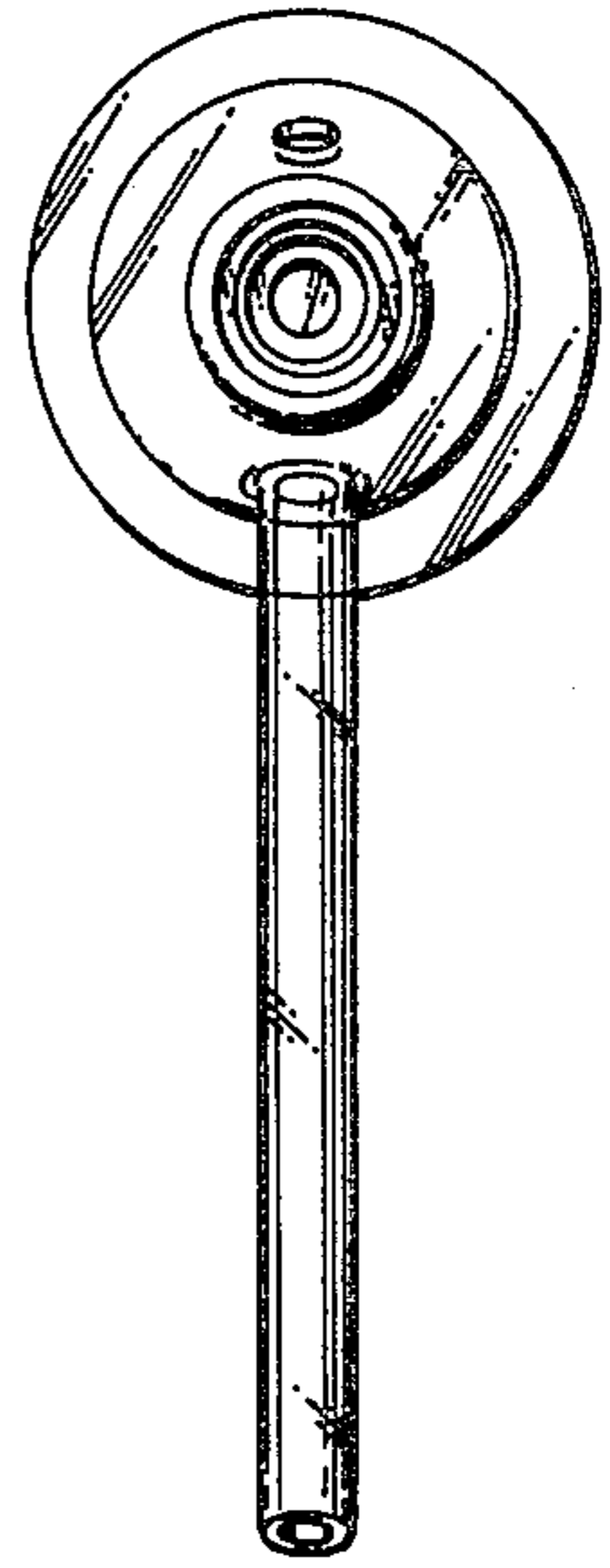


FIG. 2.

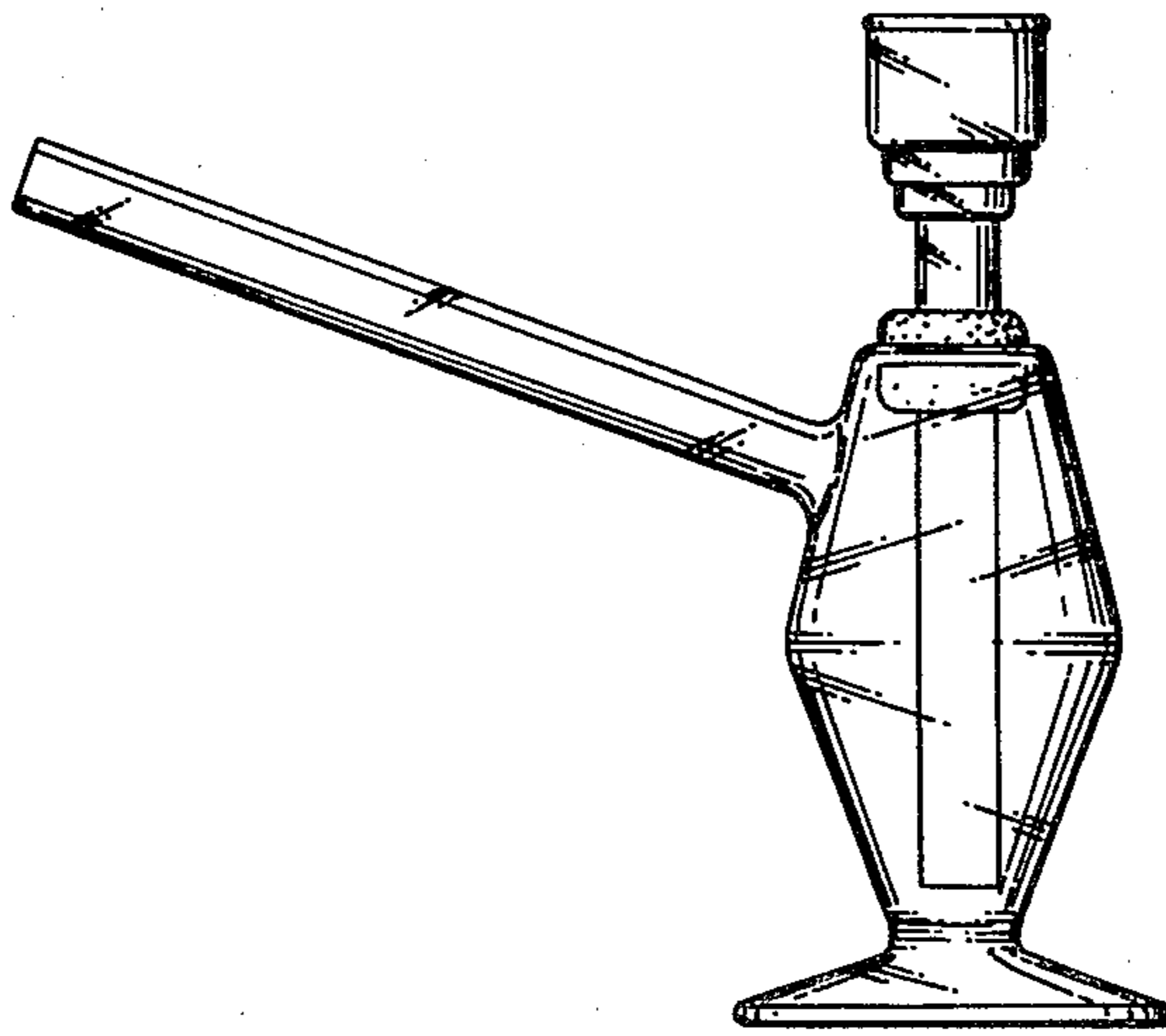


FIG. 3.

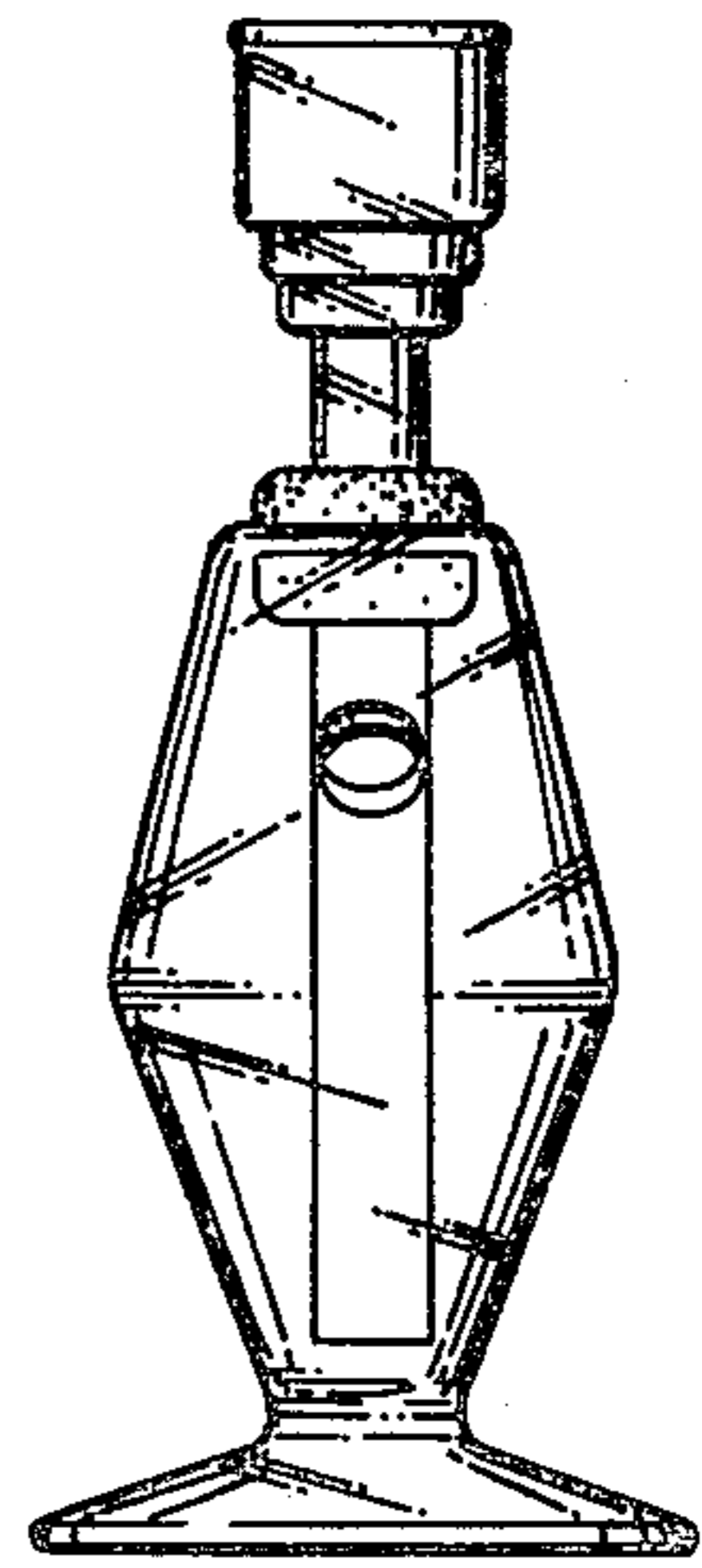


FIG. 4.

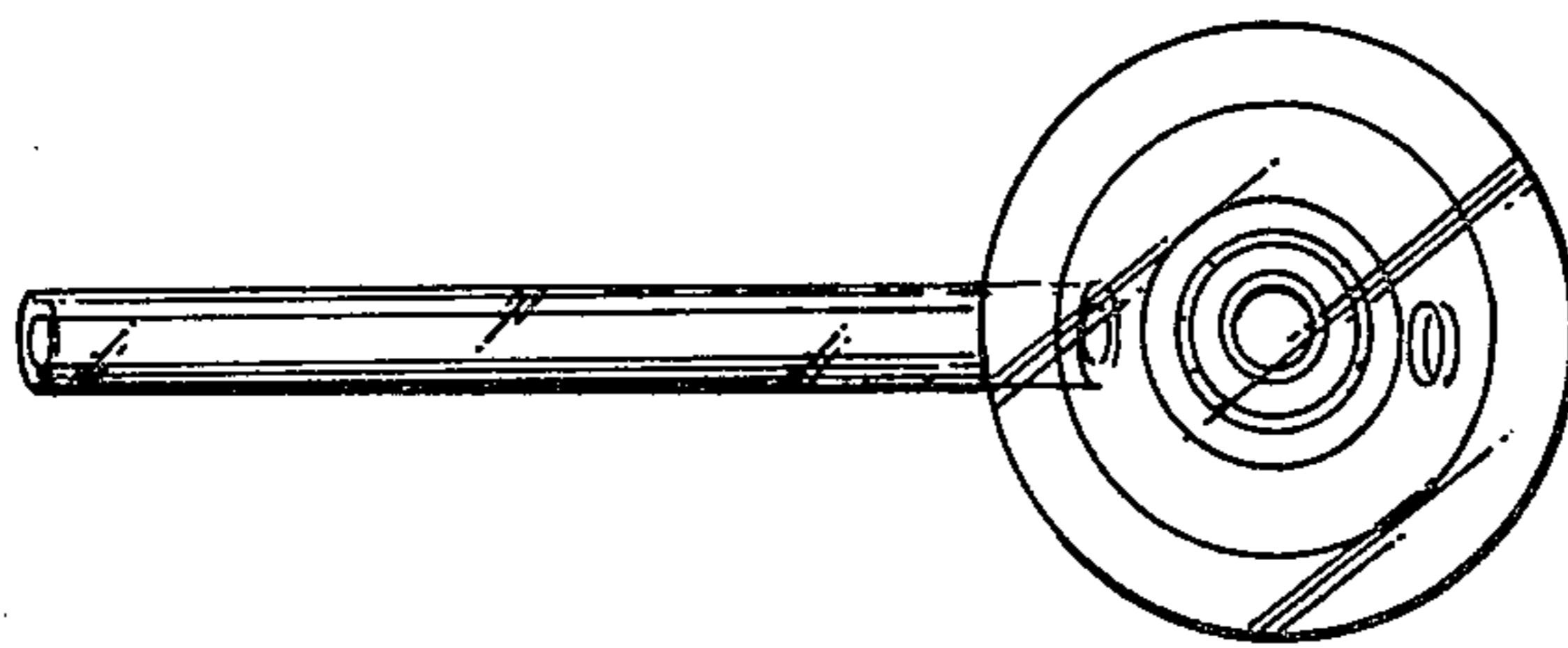


FIG. 5.