

[54] **BASE FOR A COLUMN**

[76] Inventor: **Claes Ahlqvist**, Mollevagen 11, S-282 00 Tyringe, Sweden

[**] Term: **14 Years**

[21] Appl. No.: **322,308**

[22] Filed: **Nov. 17, 1981**

[52] U.S. Cl. **D25/77**

[58] Field of Search 52/292, 294, 295, 296, 52/297, 298; 248/346; D8/354; D25/74, 73, 77; 362/431

3,563,502 2/1971 Dayson 52/298 X
 3,630,474 12/1971 Minor 52/295 X
 4,048,776 9/1977 Sato 248/346 X
 4,079,559 3/1978 Tenbrummeler 52/295

Primary Examiner—A. Hugo Word
Attorney, Agent, or Firm—Mason, Fenwick & Lawrence

[57] **CLAIM**

The ornamental design for the base for a column, substantially as shown and described.

DESCRIPTION

FIG. 1 is a perspective view, viewed from above, and from a position substantially midway between the left-hand and bottom edges of FIG. 2 showing a base for a column, embodying my new design, the opposite perspective view being substantially the same; and FIG. 2 is a top plan view thereof.

[56] **References Cited**

U.S. PATENT DOCUMENTS

3,113,760 12/1963 Huret et al. D25/73 X
 3,311,333 3/1967 Galloway 52/296 X

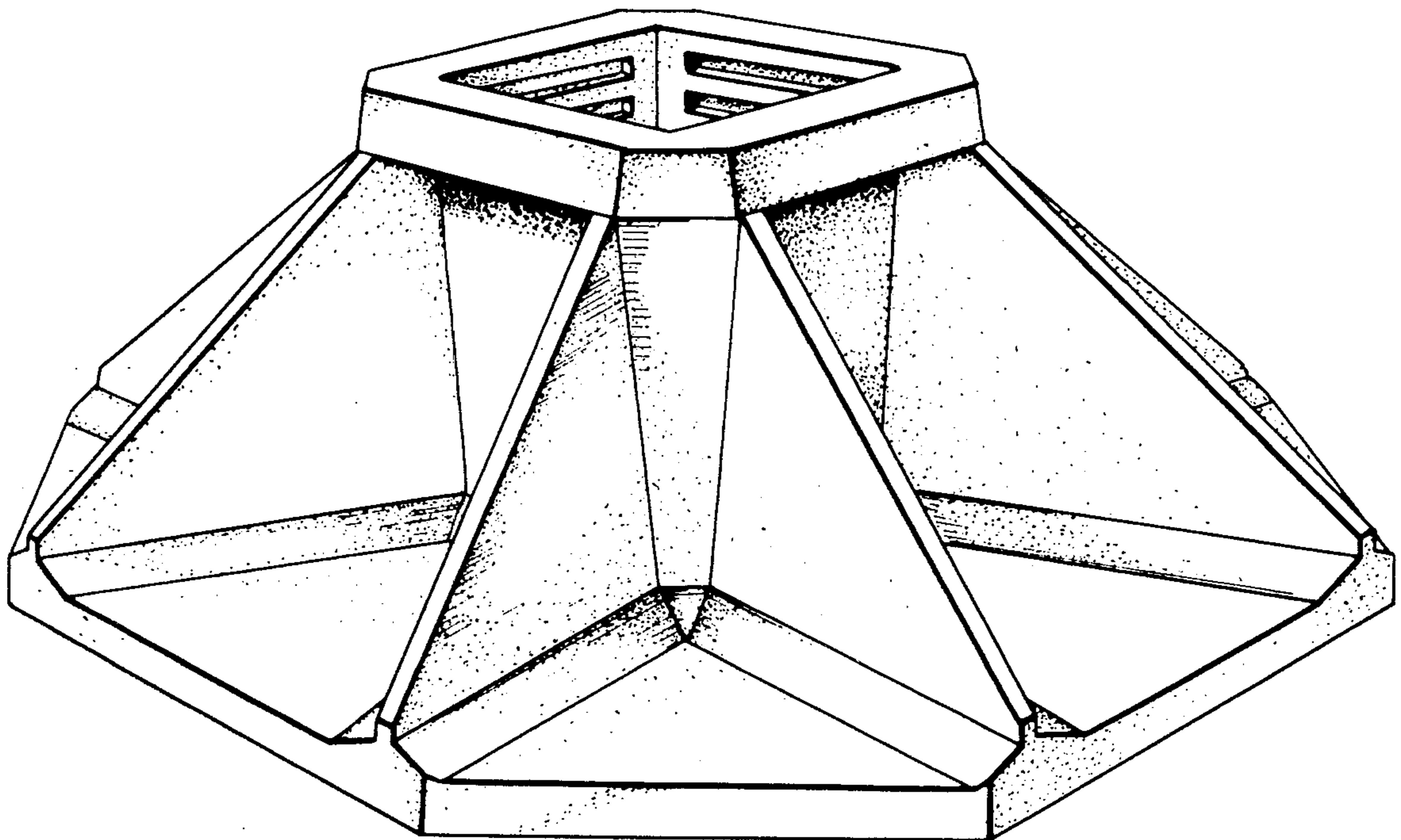


FIG-1

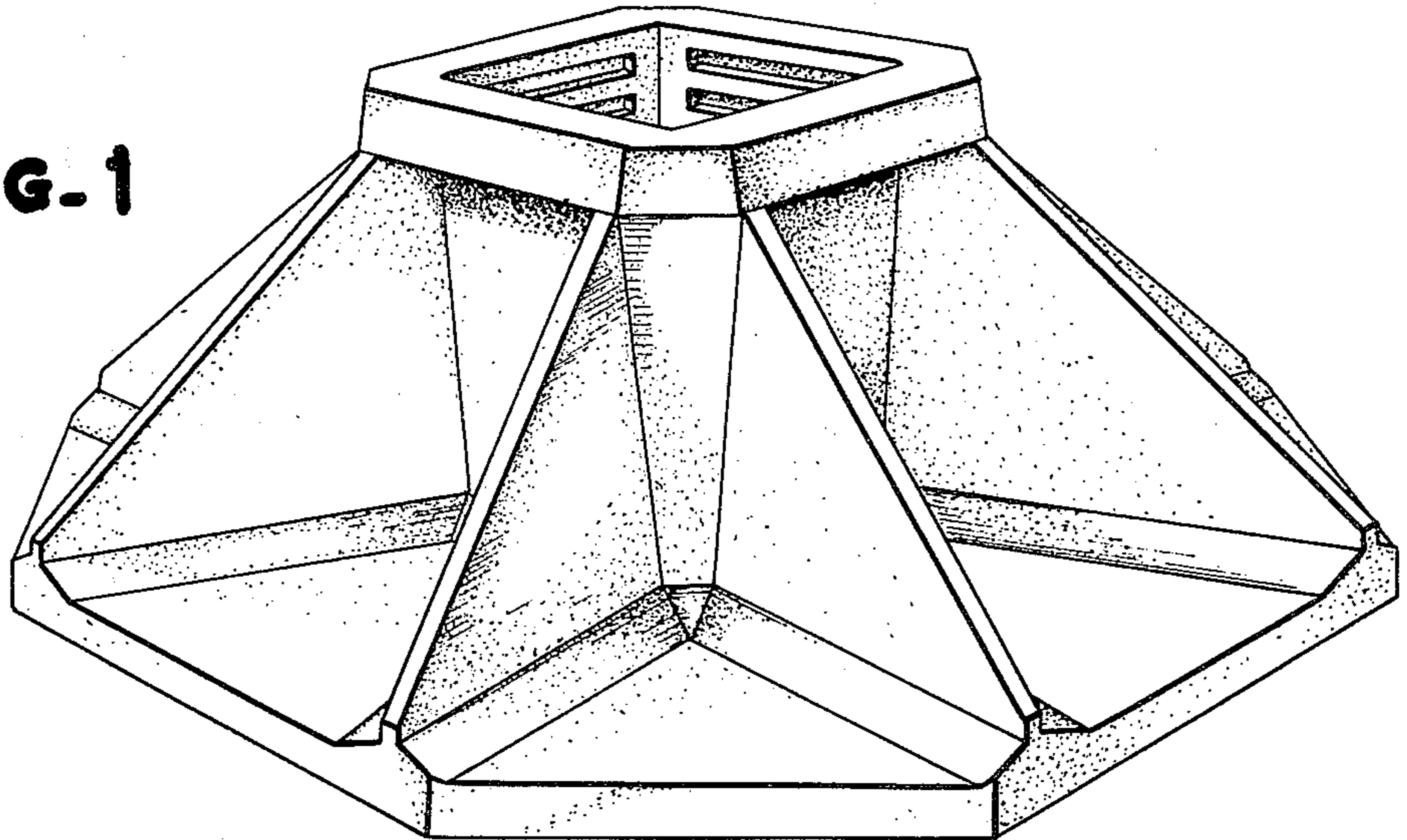


FIG-2

