

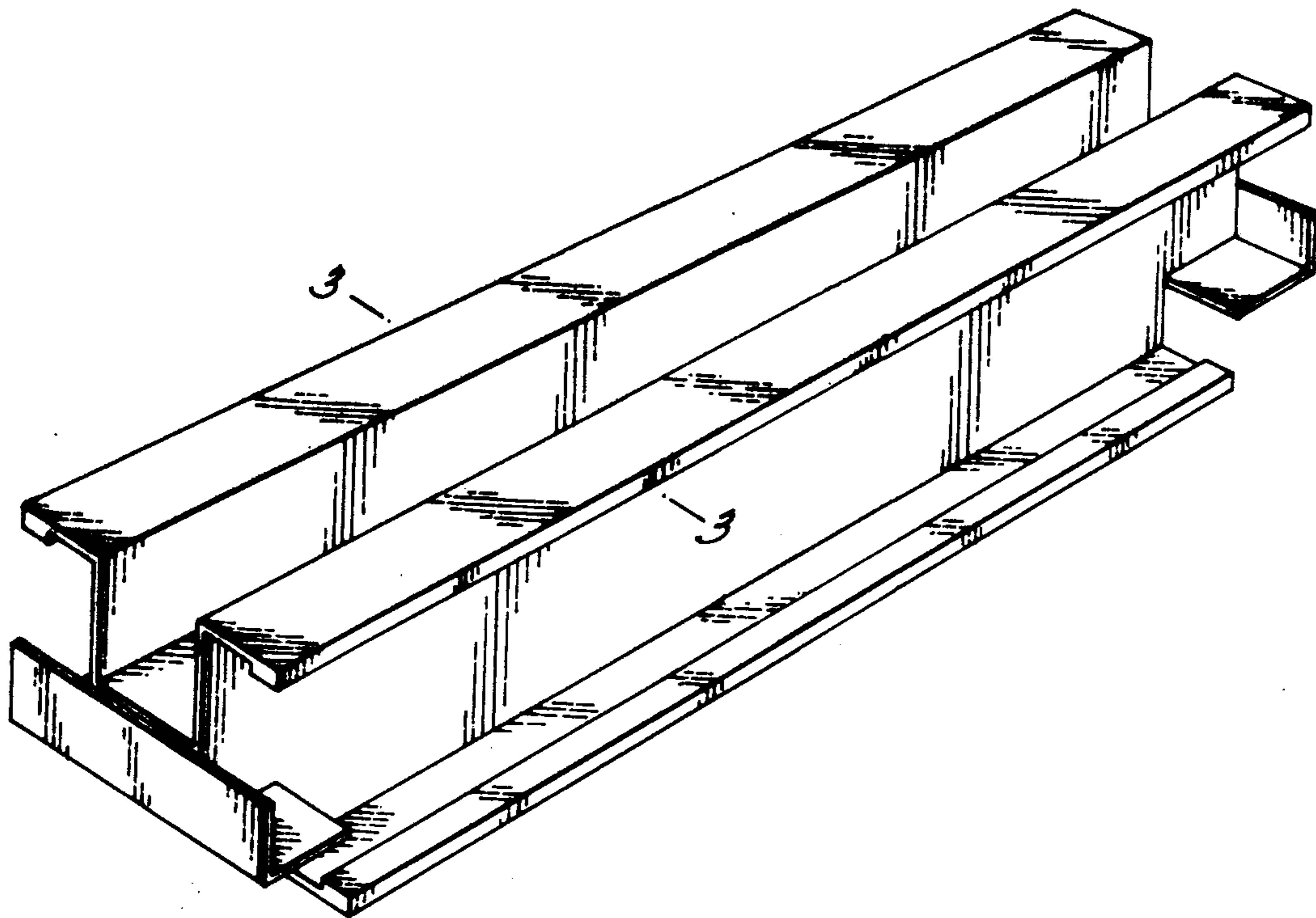
[54] **BEAM**
[75] **Inventor:** George B. A. Young, Sturmer, near Haverhill, England
[73] **Assignee:** Acrow (Engineers) Limited, London, England
[**] **Term:** 14 Years
[21] **Appl. No.:** 323,451
[22] **Filed:** Nov. 20, 1981
[30] **Foreign Application Priority Data**
Jun. 8, 1981 [GB] United Kingdom 1000861
[52] **U.S. Cl.** D25/73
[58] **Field of Search** 52/729, 731, 732; D25/73, 74, 75, 77, 78

[56] **References Cited**
U.S. PATENT DOCUMENTS
D. 252,552 11/1979 Durbin D25/74 X
1,085,429 1/1914 Kahn et al. D25/74 X
3,820,299 6/1974 Verholt D25/74 X

Primary Examiner—A. Hugo Word
Attorney, Agent, or Firm—Wood, Herron & Evans

[57] **CLAIM**
The ornamental design for a beam, as shown.

DESCRIPTION
FIG. 1 is an end view of a beam of my design.
FIG. 2 is a perspective view thereof; and
FIG. 3 is a cross-section thereof along line 3—3 of FIG. 2.



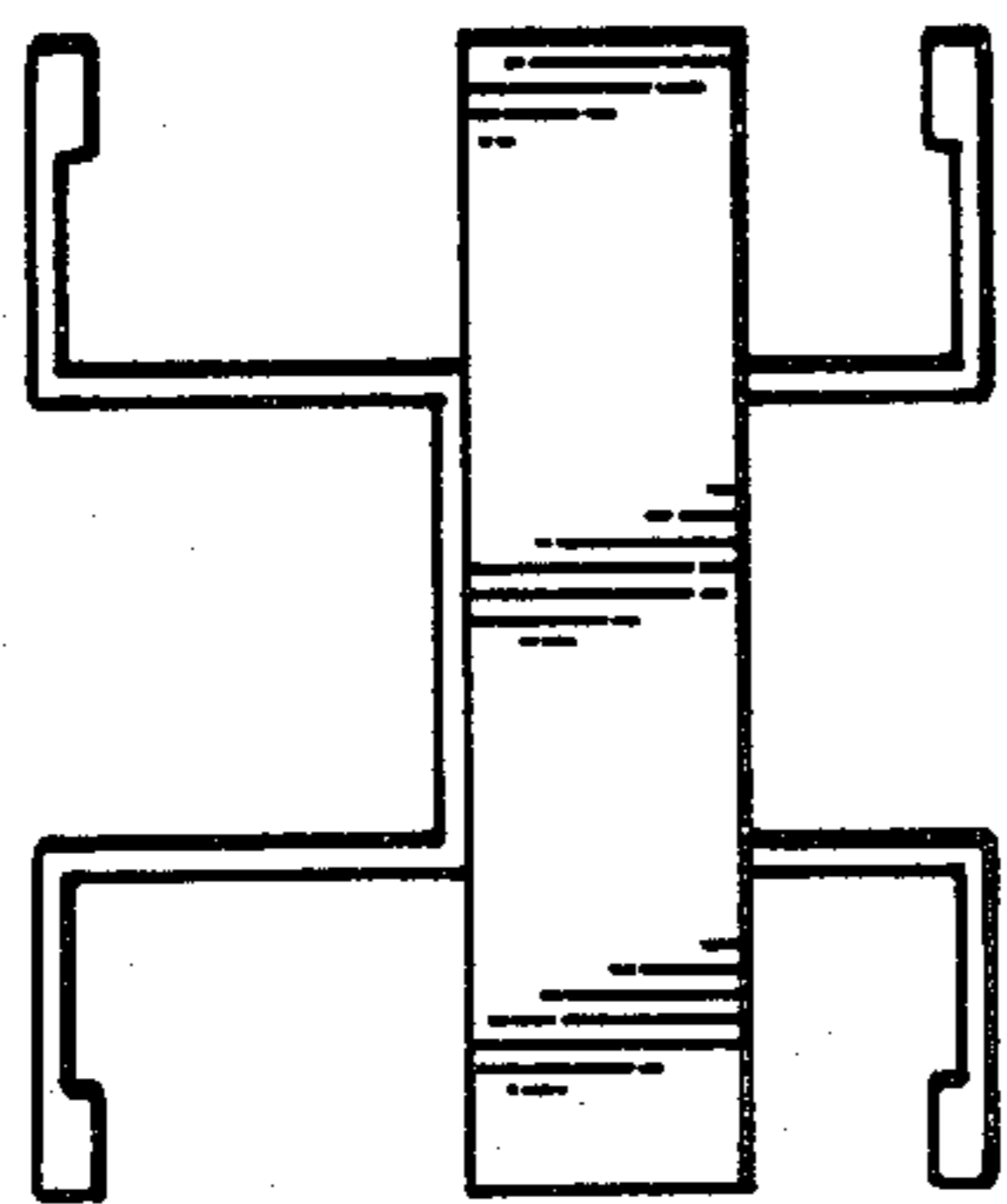


Fig. 1.

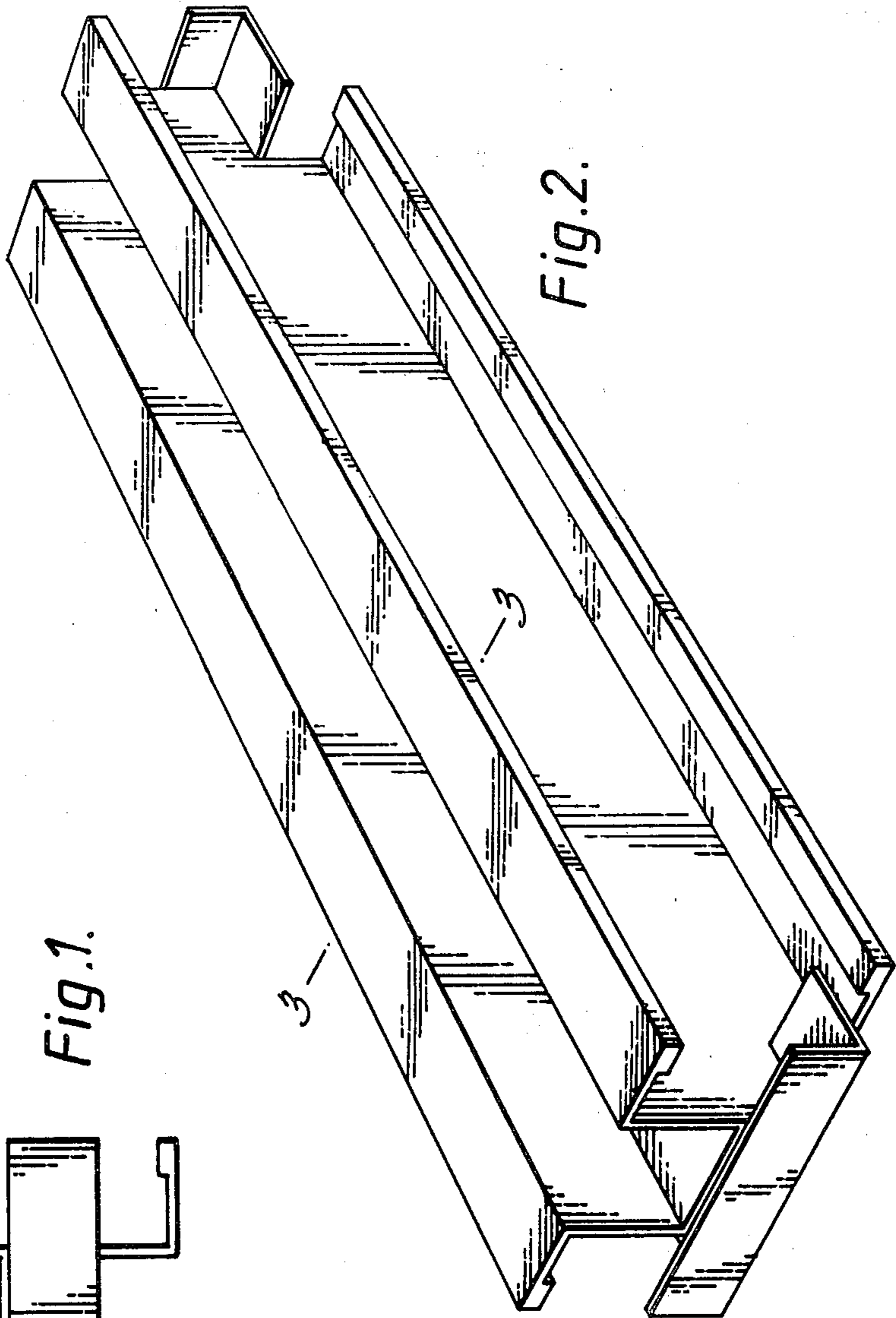


Fig. 2.

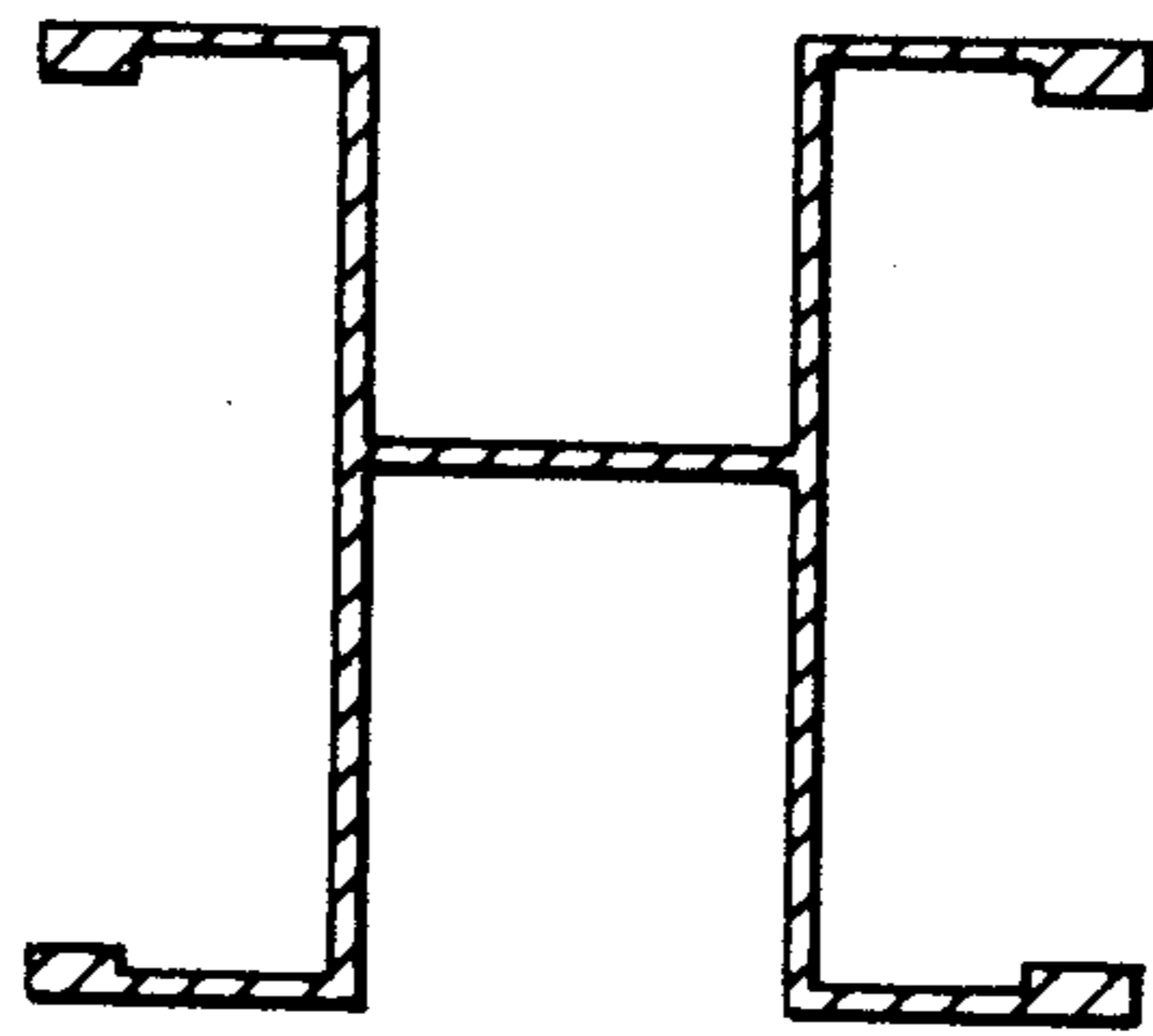


Fig.3.