

[54] **MESSAGE APPARATUS**
 [75] Inventor: **Andreas Haug**, Altensteig, Fed. Rep. of Germany
 [73] Assignee: **Hans Grohe GmbH & Co.**, Fed. Rep. of Germany

1,101,804 6/1914 Lauter 128/37 X
 2,159,096 5/1939 Mitchell D24/36 X
 2,895,469 7/1959 Regley D24/36 X
 3,720,204 3/1973 Wojtowicz 128/66
 3,998,390 12/1976 Peterson et al. 128/66
 4,326,508 4/1982 Stauffer 128/57

[**] Term: **14 Years**

Primary Examiner—Bernard Ansher
Attorney, Agent, or Firm—Steele, Gould & Fried

[21] Appl. No.: **281,631**

[57] **CLAIM**

[22] Filed: **Jul. 9, 1981**

The ornamental design for a message apparatus, as shown and described.

[30] **Foreign Application Priority Data**

Jan. 20, 1981 [DE] Fed. Rep. of Germany 1016 08
 [52] U.S. Cl. **D24/36; D23/7**
 [58] Field of Search D24/36; D23/7; 128/66, 128/57, 37

DESCRIPTION

FIG. 1 is a bottom perspective view of a message apparatus showing my new design;
 FIG. 2 is a bottom plan view thereof;
 FIG. 3 is a side elevation thereof;
 FIG. 4 is a rear elevation thereof;
 FIG. 5 is a front elevation thereof; and,
 FIG. 6 is a top plan view thereof.

[56] **References Cited**
U.S. PATENT DOCUMENTS

D. 262,908 2/1982 Pesco D24/36

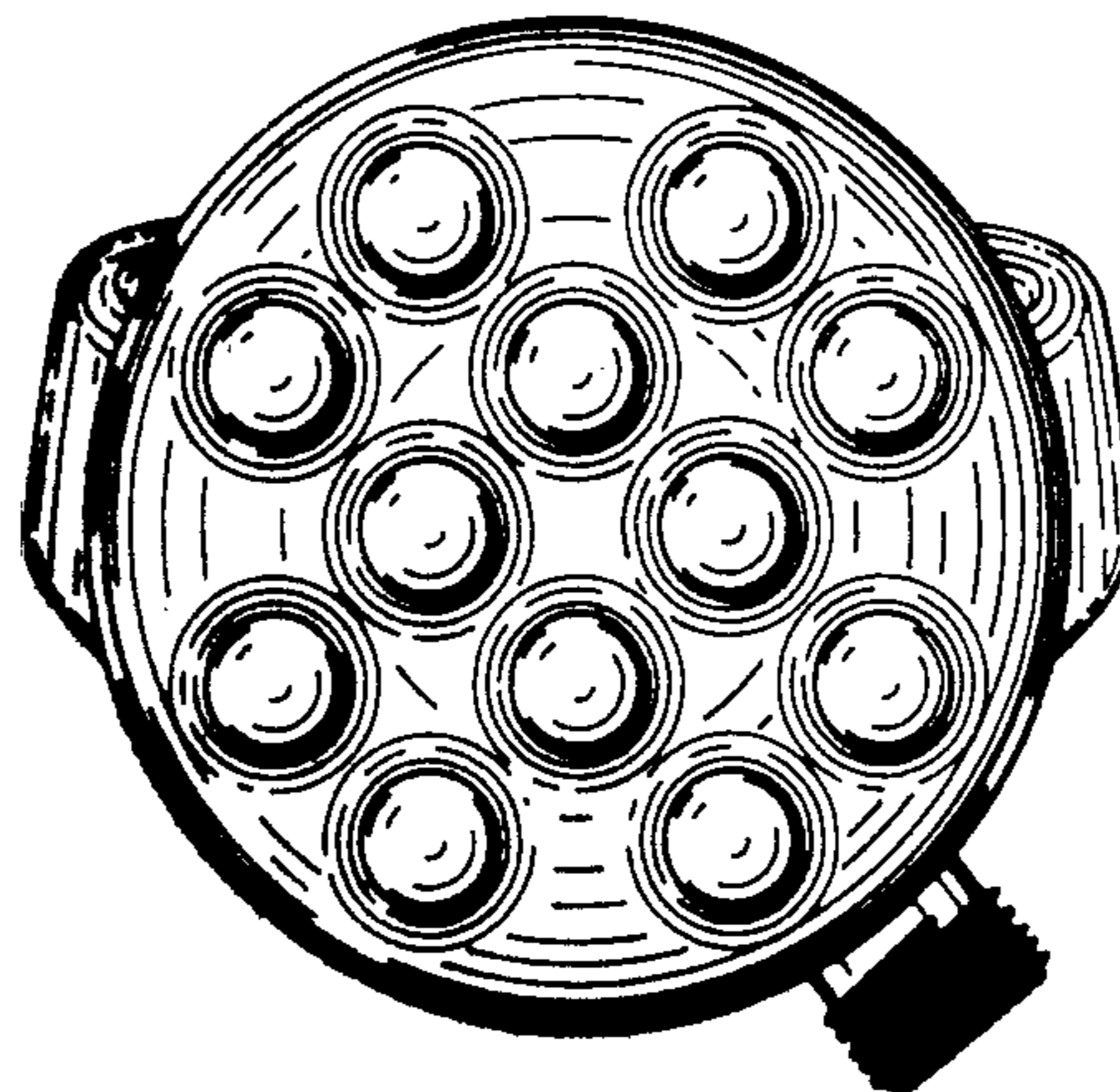
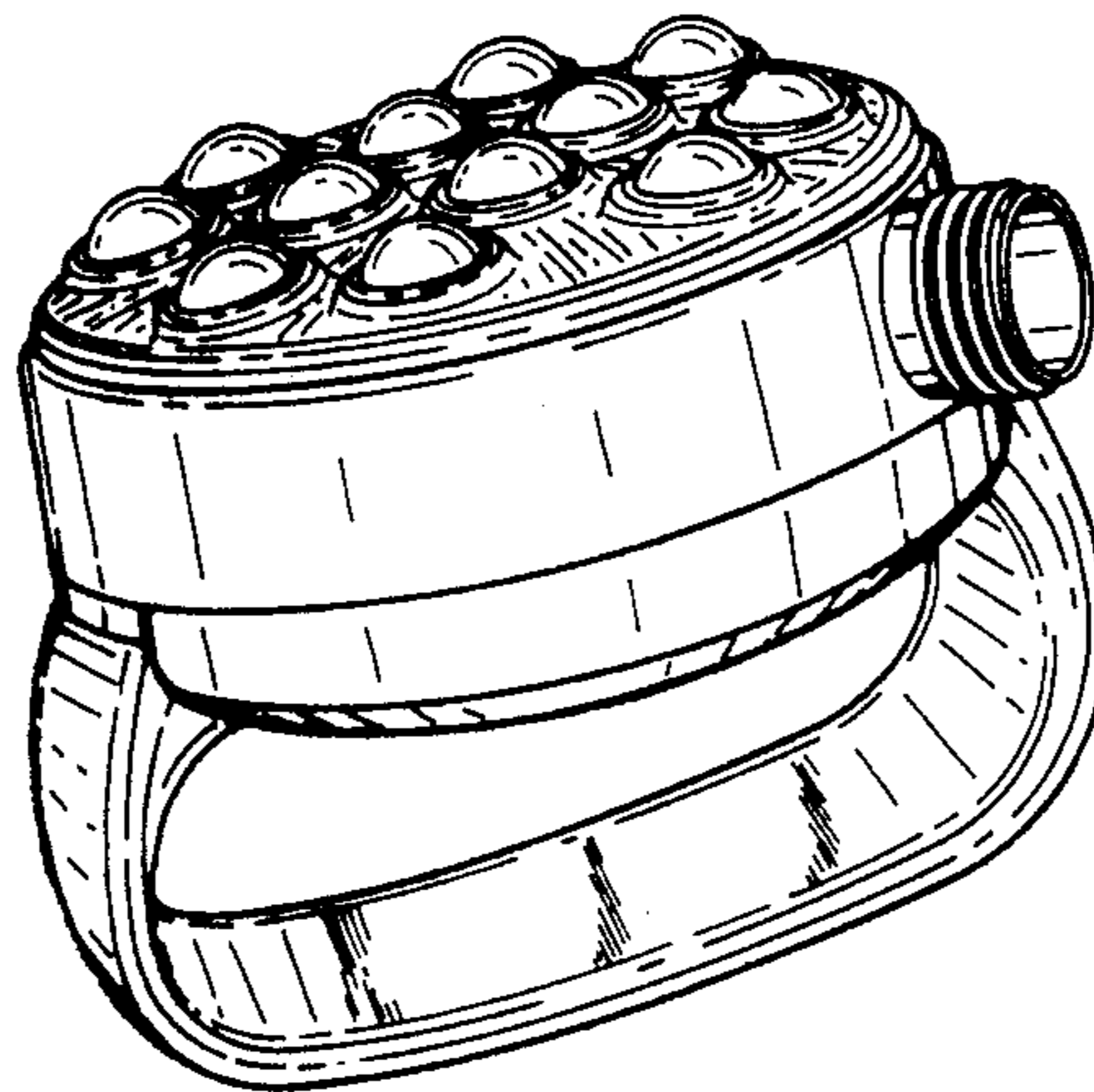


FIG. 1

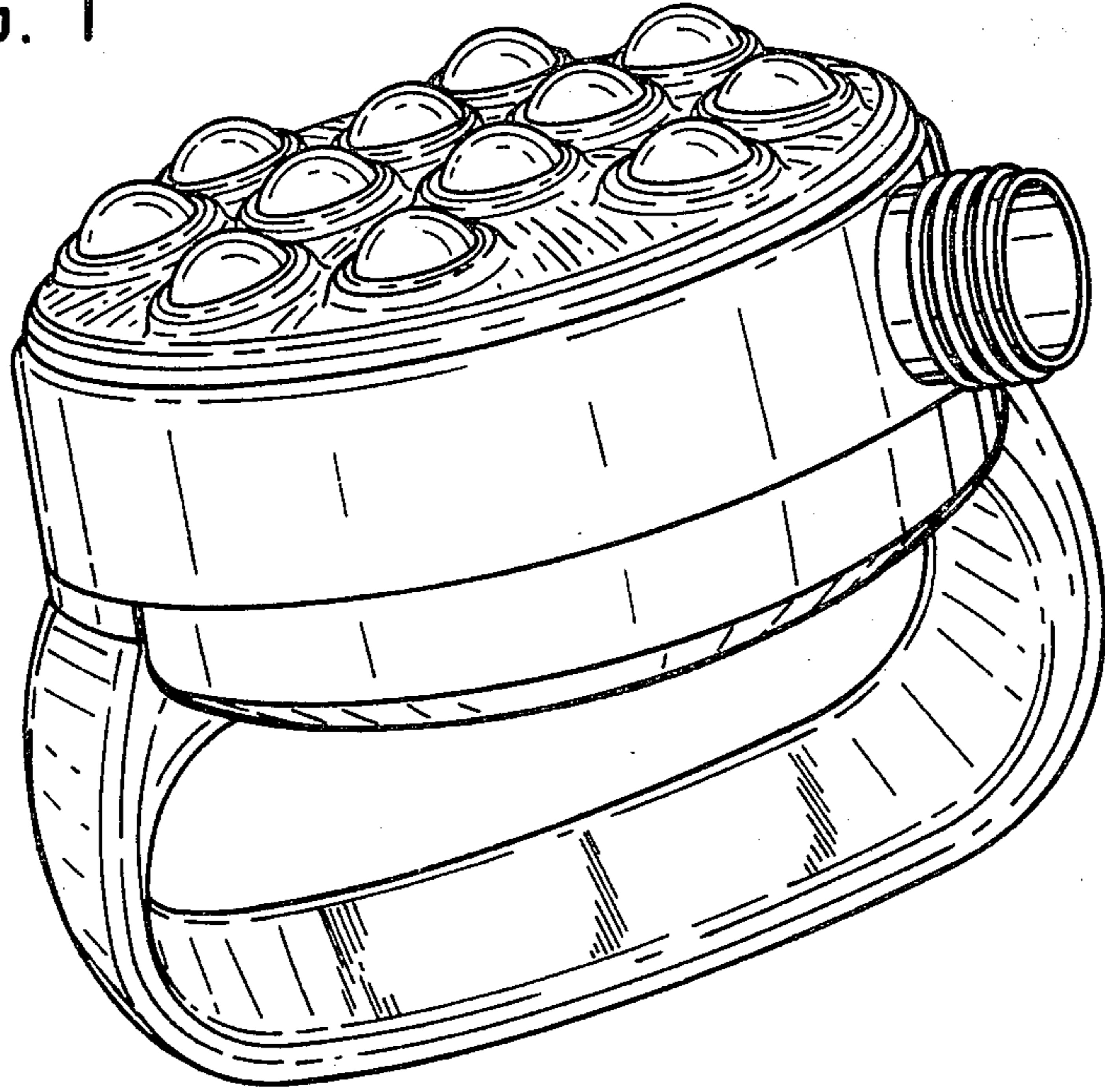


FIG. 2

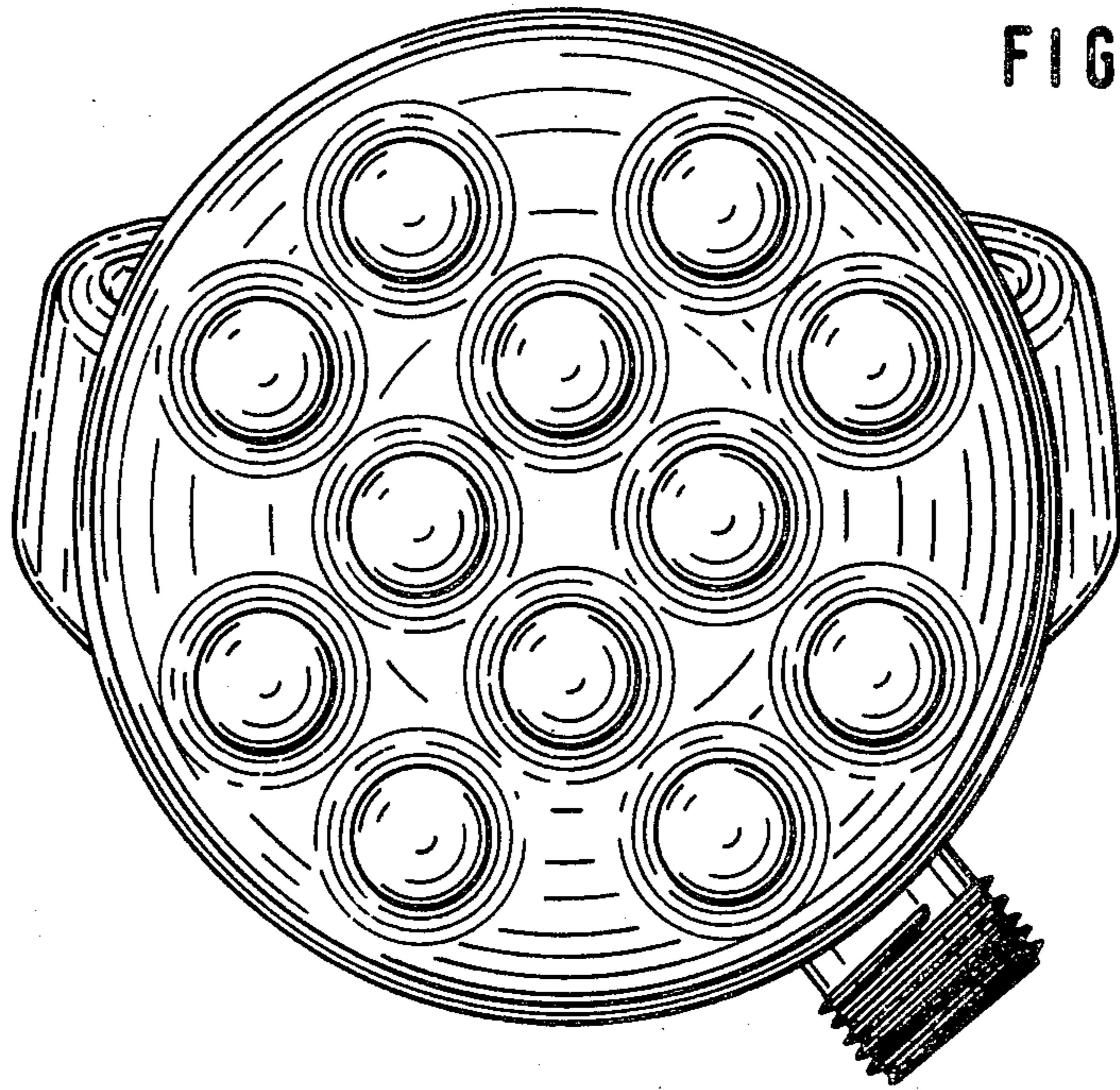


FIG. 3

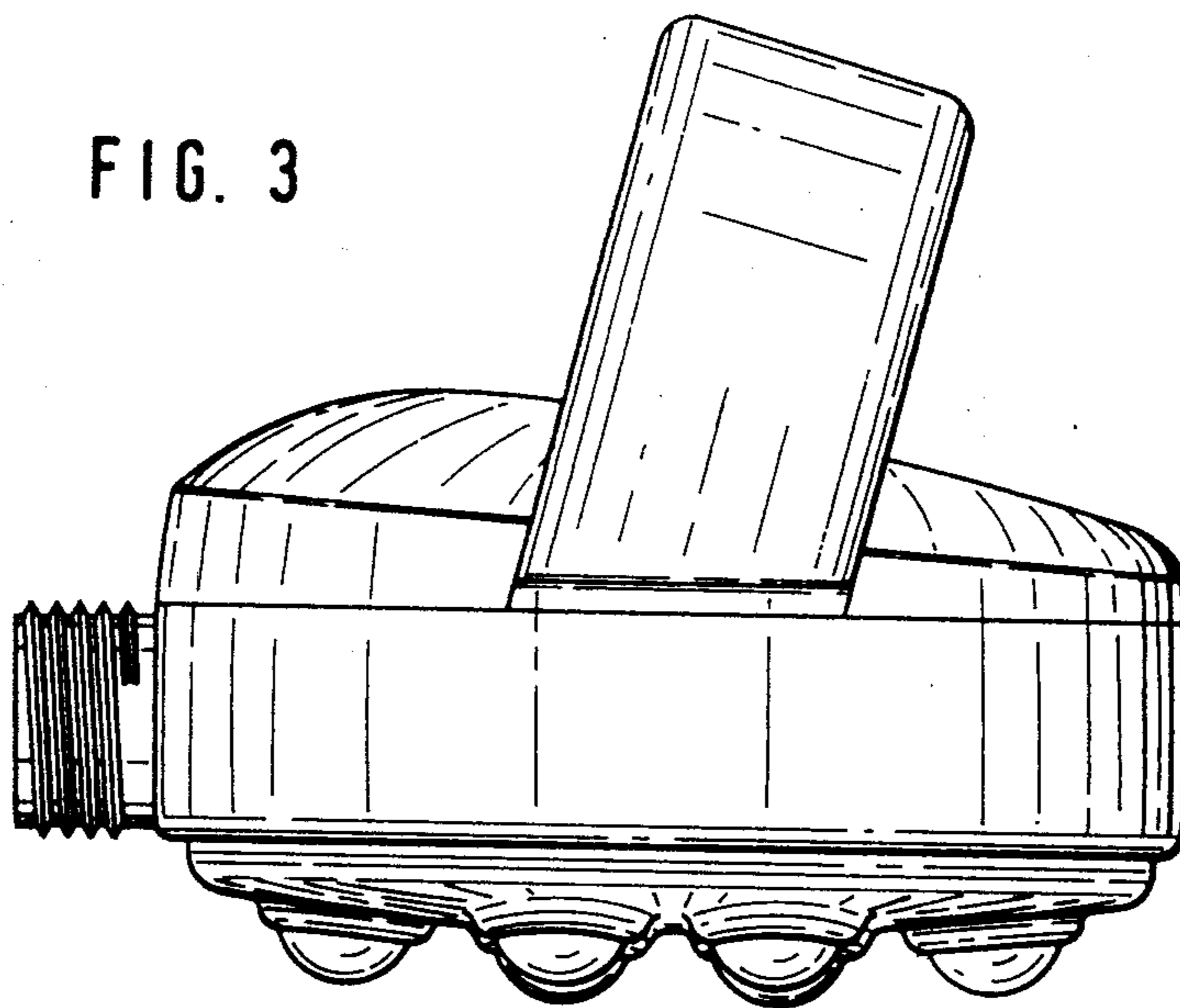
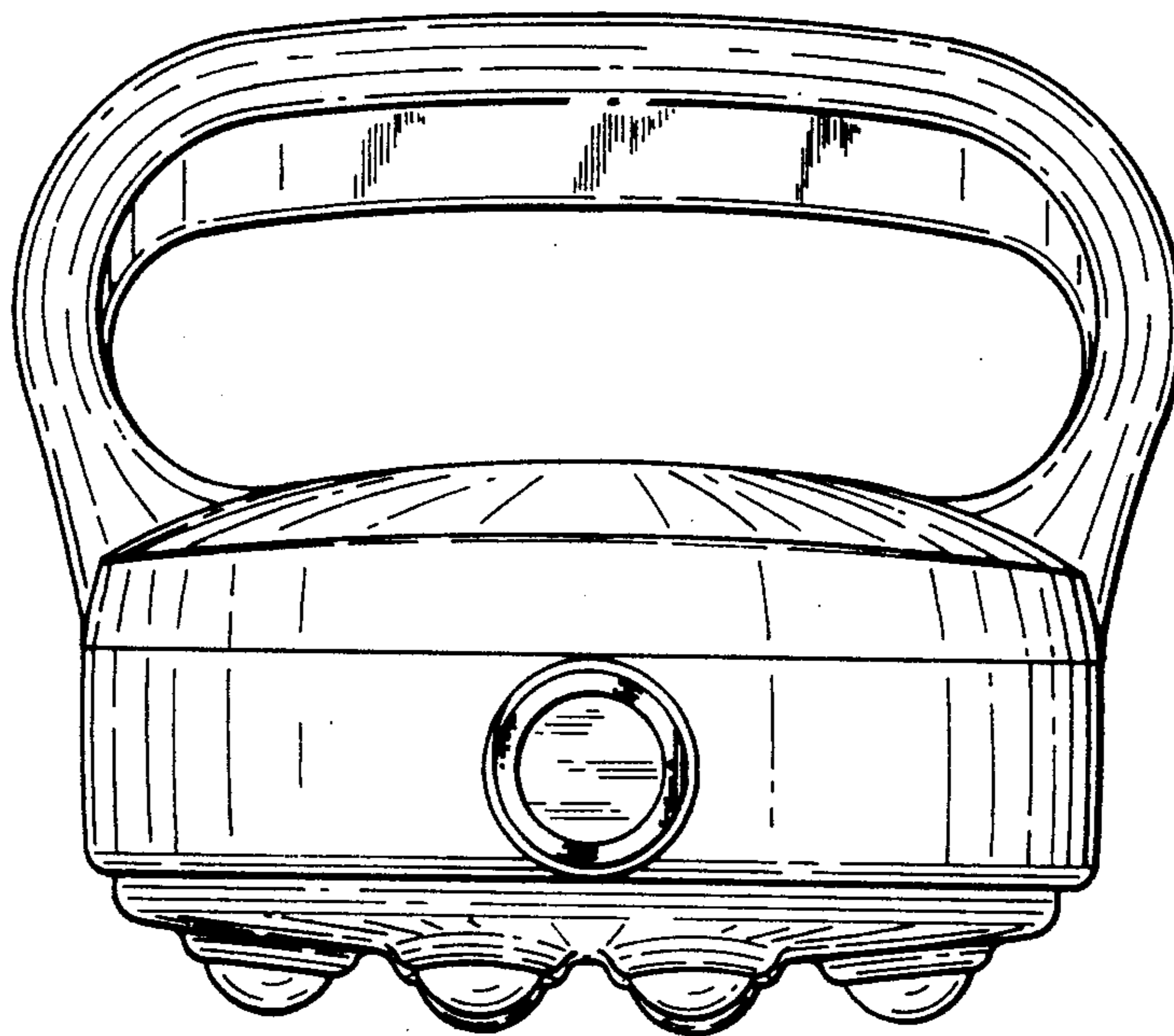


FIG. 4



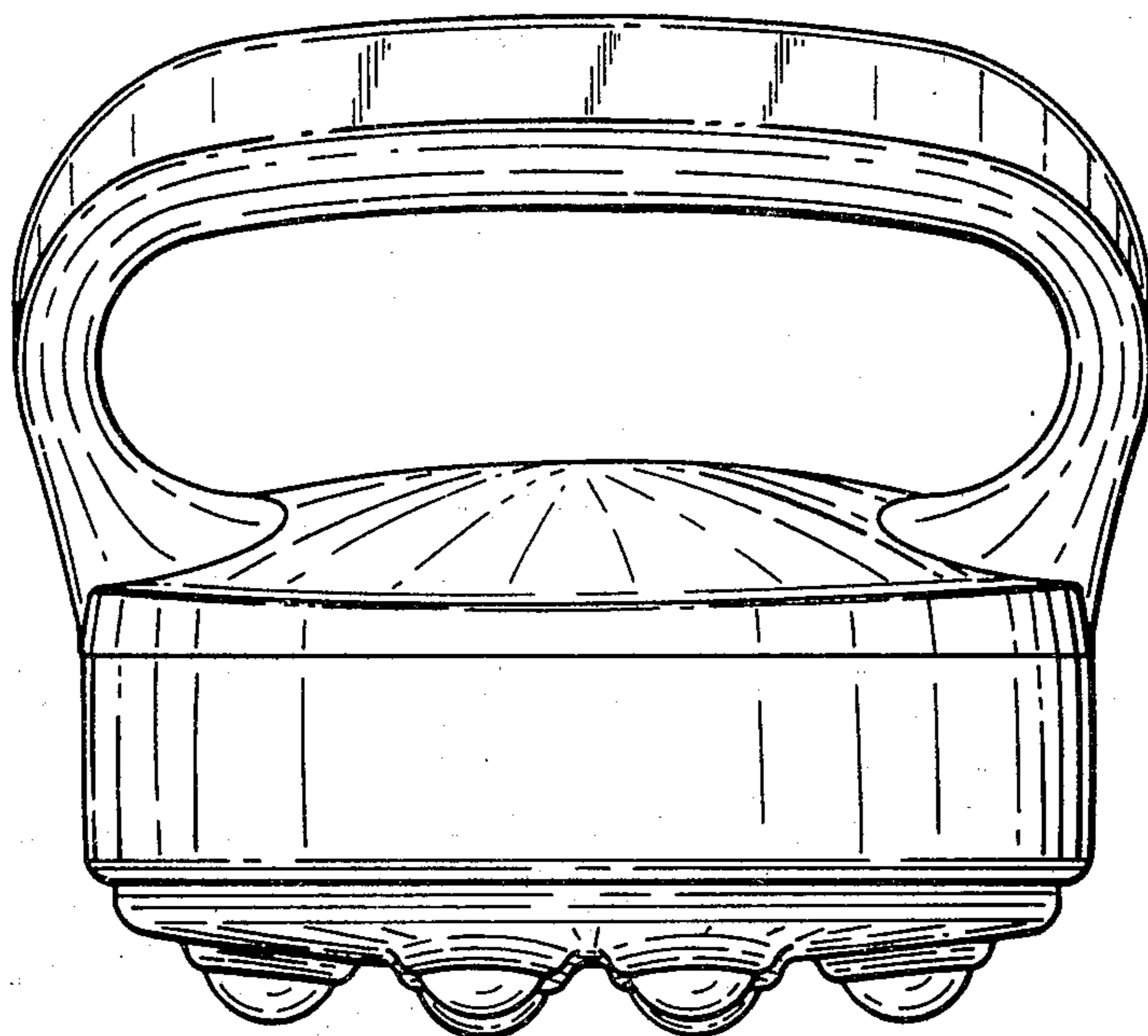


FIG. 5

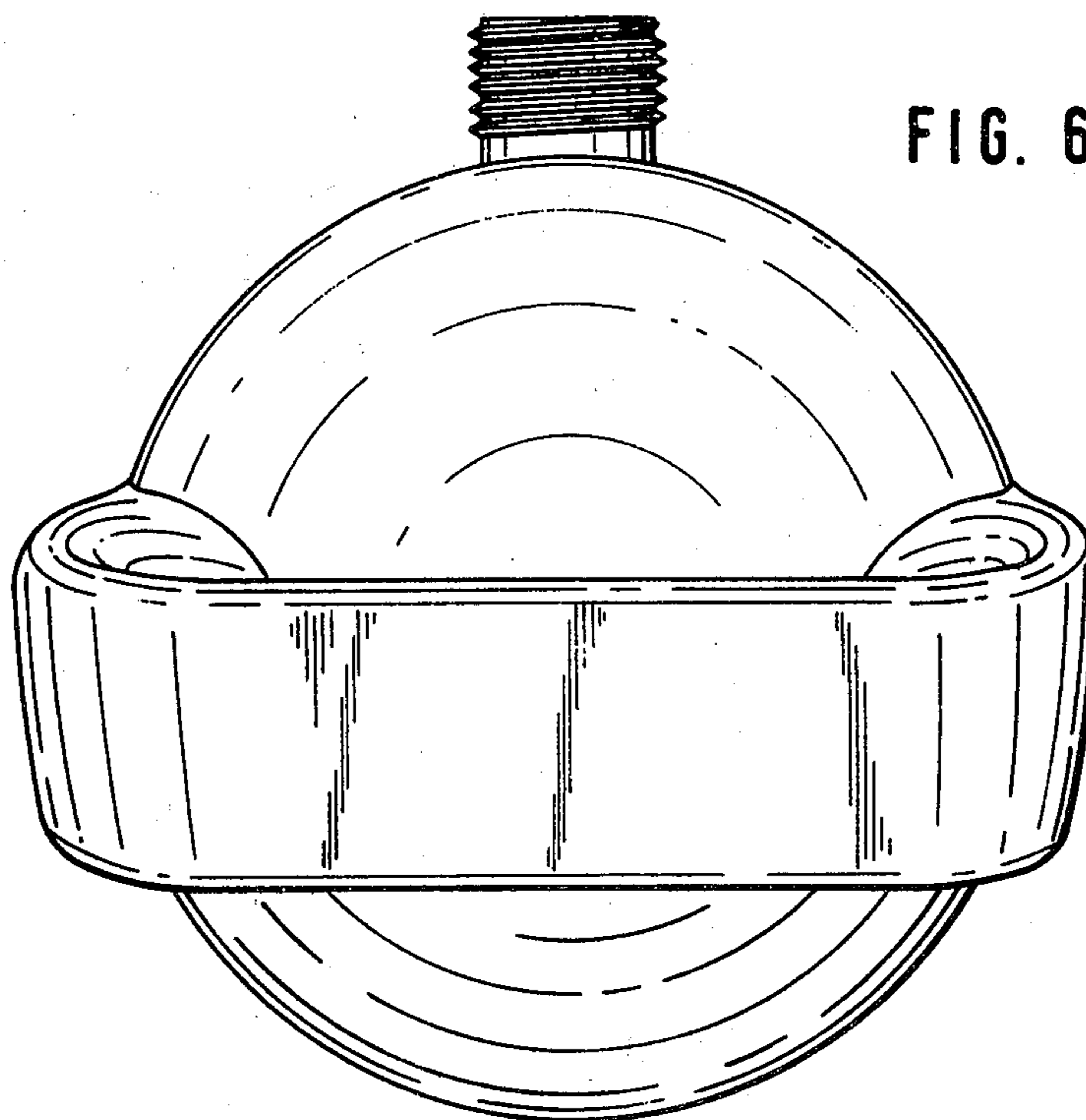


FIG. 6