

[54] WATER PURIFICATION IONIC GAS GENERATOR

[76] Inventors: Dennis E. J. Johnson; Scott J. Johnson, both of 1025 Garfield Ave., Aurora, Ill. 60506

[**] Term: 14 Years

[21] Appl. No.: 365,275

[22] Filed: Apr. 5, 1982

[52] U.S. Cl. D23/3

[58] Field of Search D23/1, 3; 204/155, 157.1

[56] References Cited

U.S. PATENT DOCUMENTS

D. 76,391	9/1928	Groak	D23/3
D. 117,756	11/1939	Newman	D23/3
D. 159,225	7/1950	Pick	D23/3
D. 187,577	3/1960	Smith	D23/3
D. 211,991	9/1968	de May	D23/3

D. 236,829	9/1975	Berry, Jr. et al.	D23/3
3,186,929	6/1965	Rippie	204/155
4,214,962	7/1980	Pincon	204/157.1
4,229,389	10/1980	Granger	204/155

Primary Examiner—James R. Largen
Attorney, Agent, or Firm—McWilliams, Mann, Zummer and Sweeney

[57] CLAIM

The ornamental design for a water purification ionic gas generator, substantially as shown and described.

DESCRIPTION

FIG. 1 is a front perspective view of a water purification ionic gas generator, showing our new design; FIG. 2 is a rear elevational view thereof; FIG. 3 is a front elevational view thereof; FIG. 4 is a left side elevational view thereof; FIG. 5 is a right side elevational view thereof; FIG. 6 is a top plan view thereof; and FIG. 7 is a bottom plan view thereof.

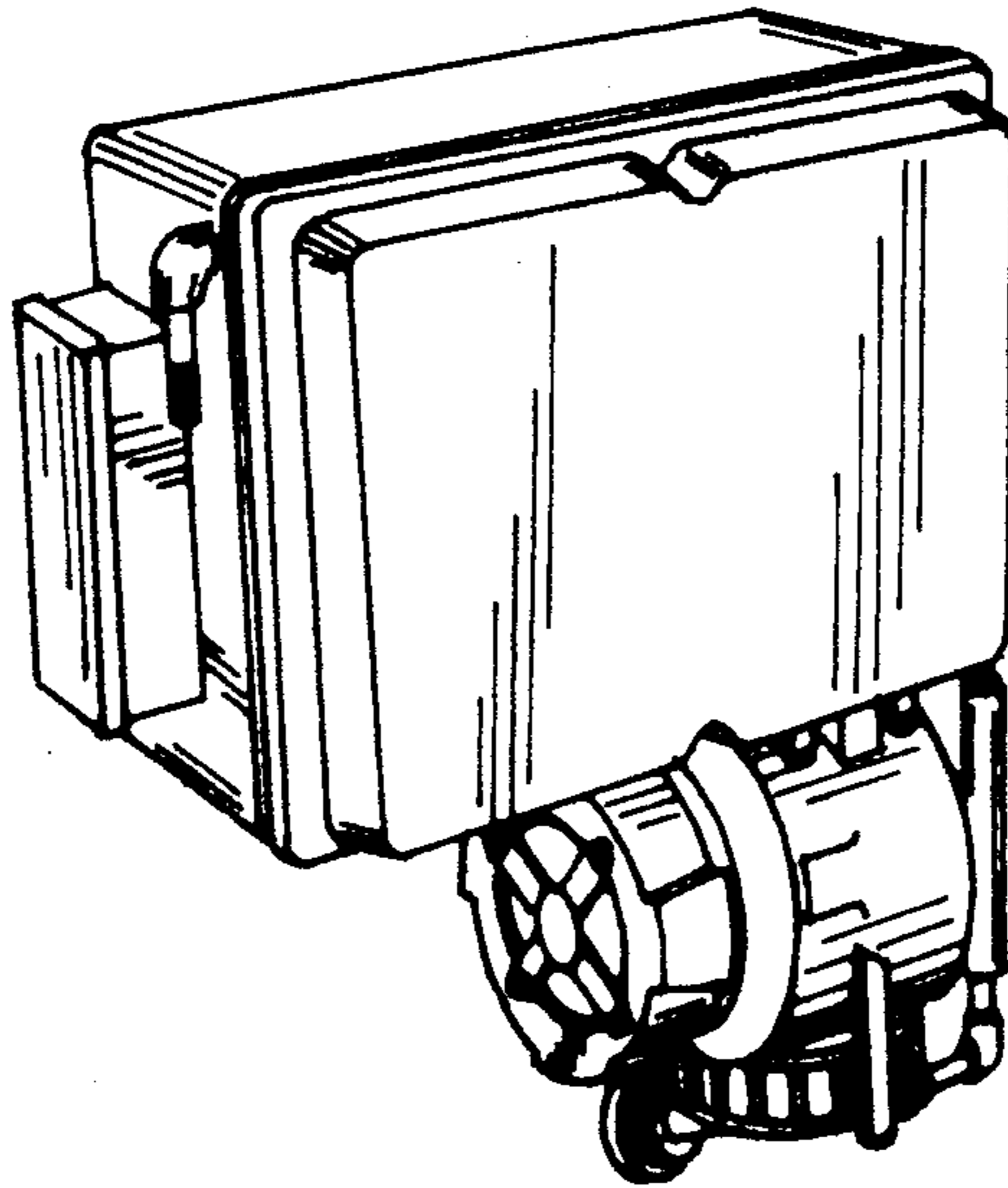


FIG. 1

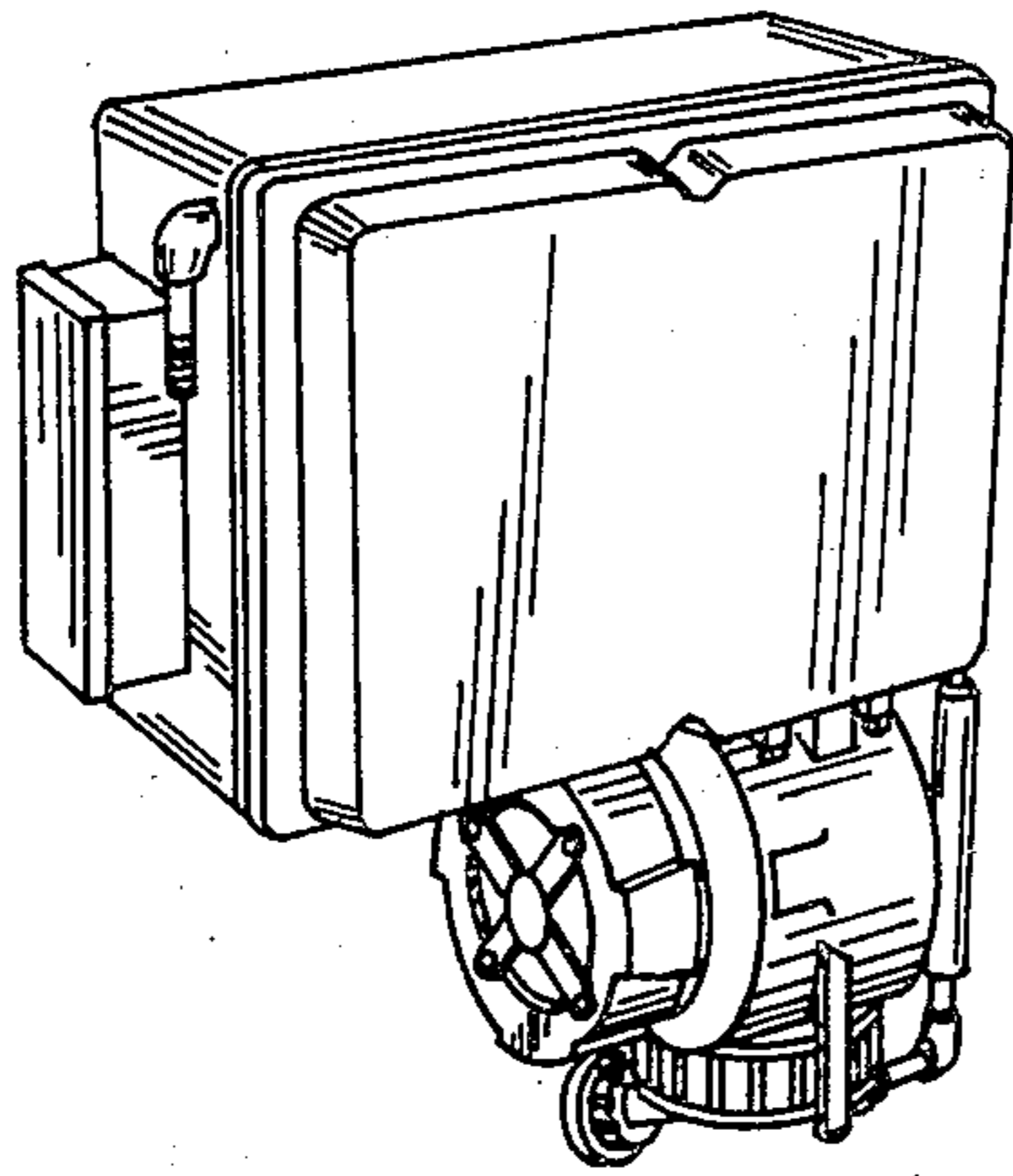


FIG. 2

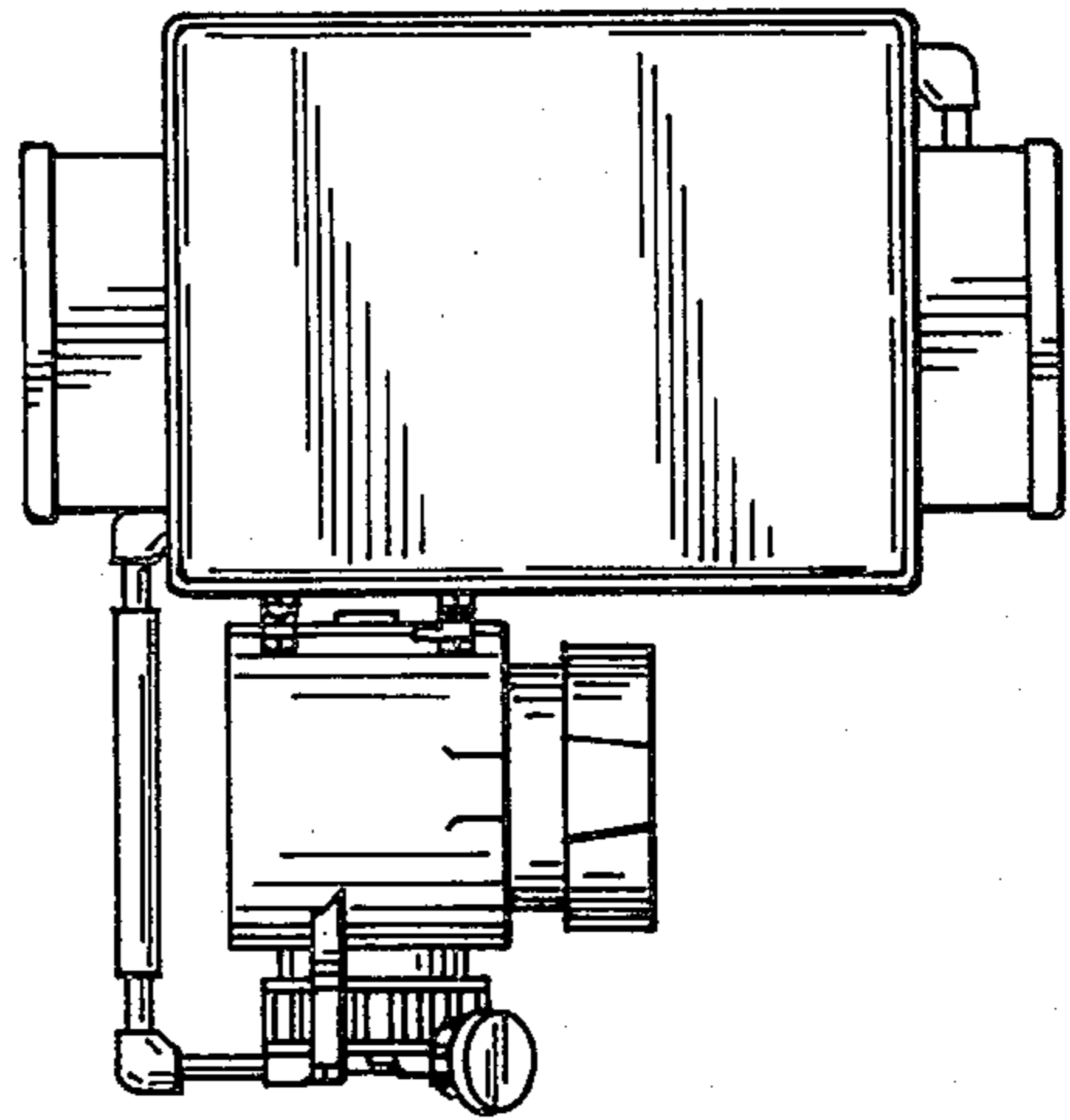


FIG. 3

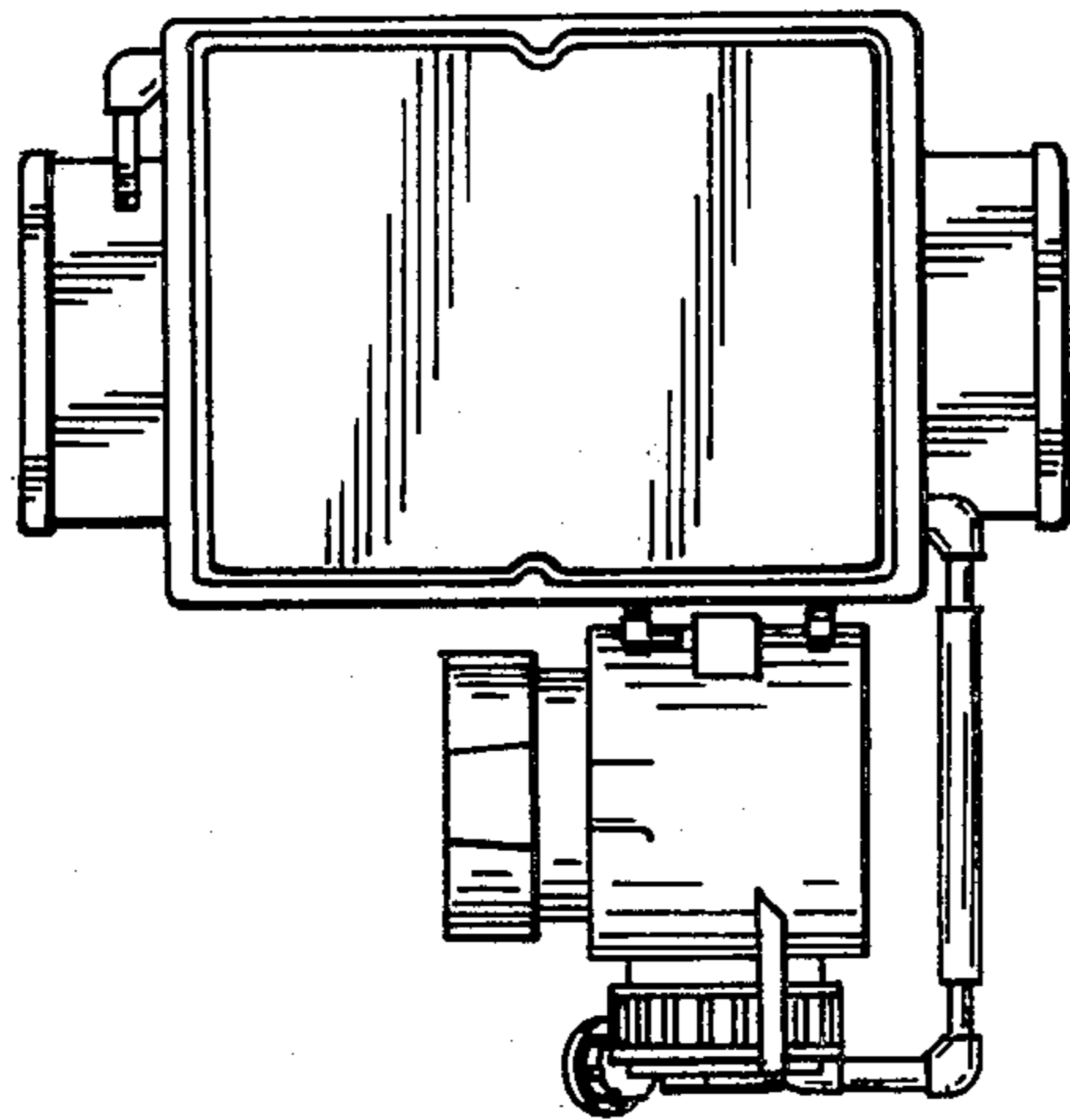


FIG. 4

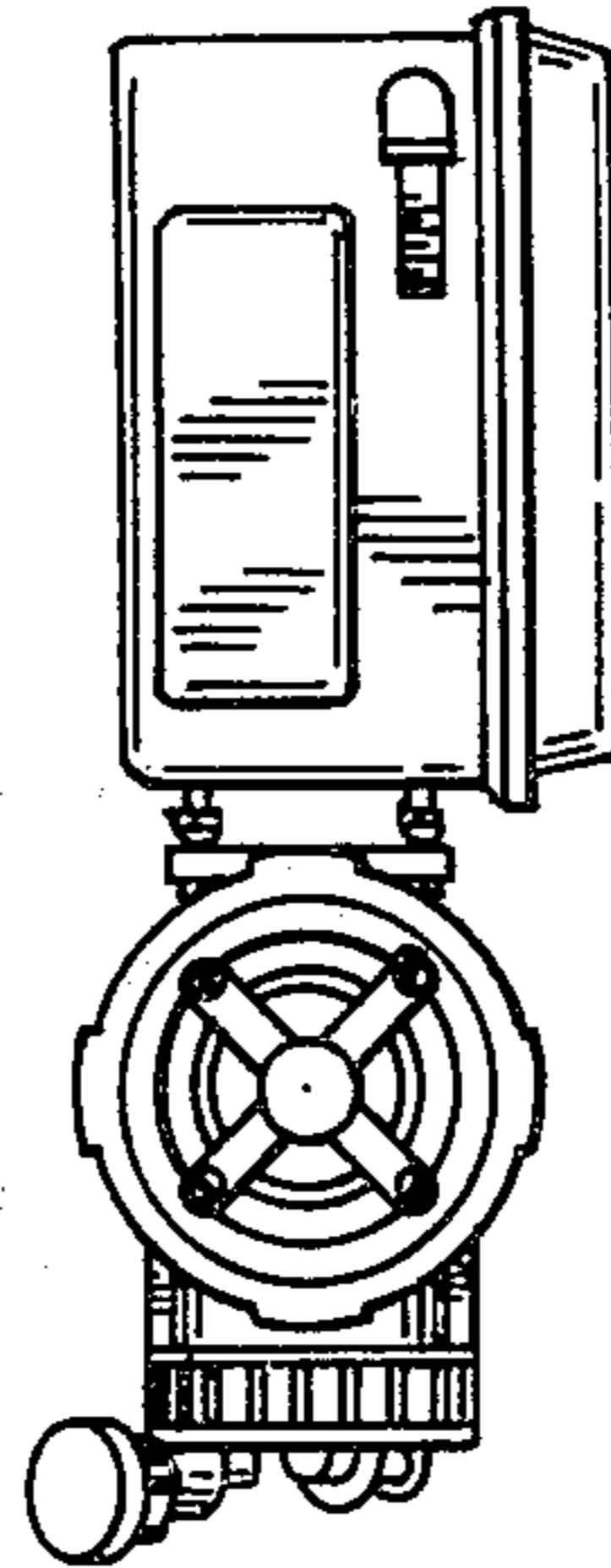


FIG. 5

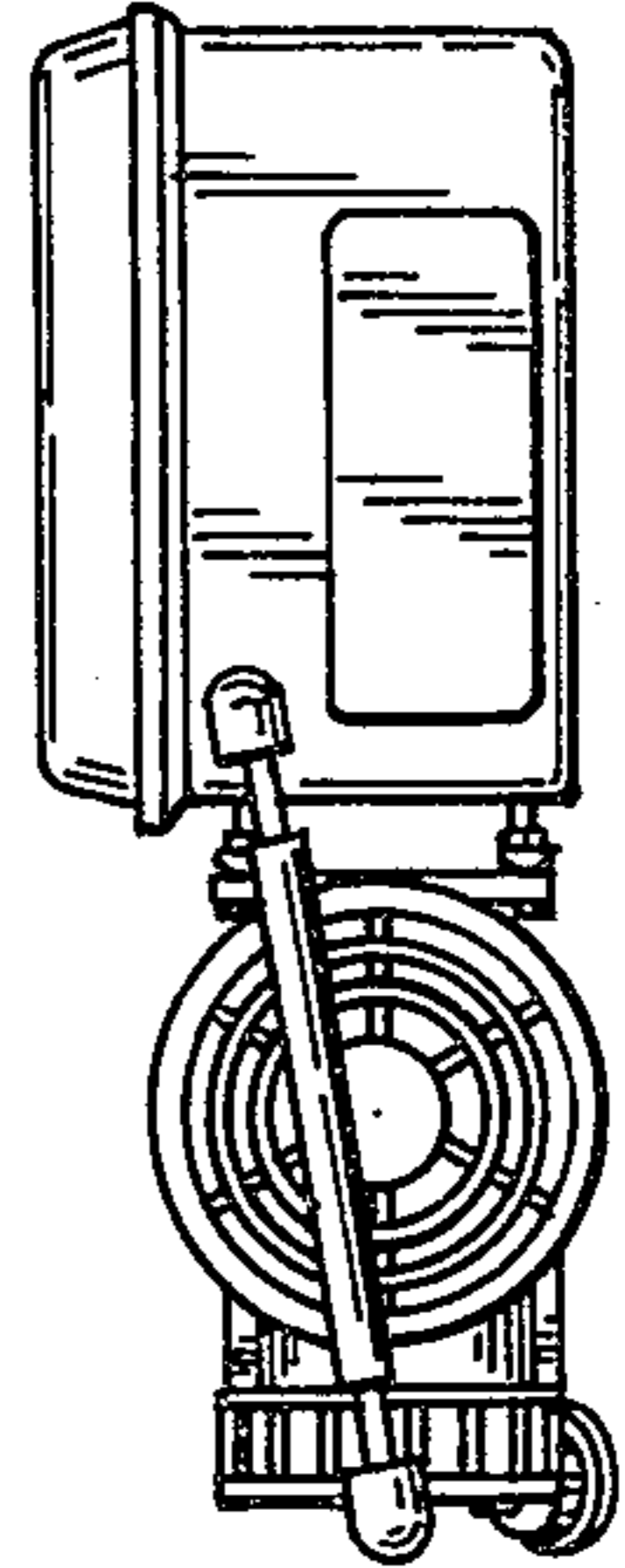


FIG. 6

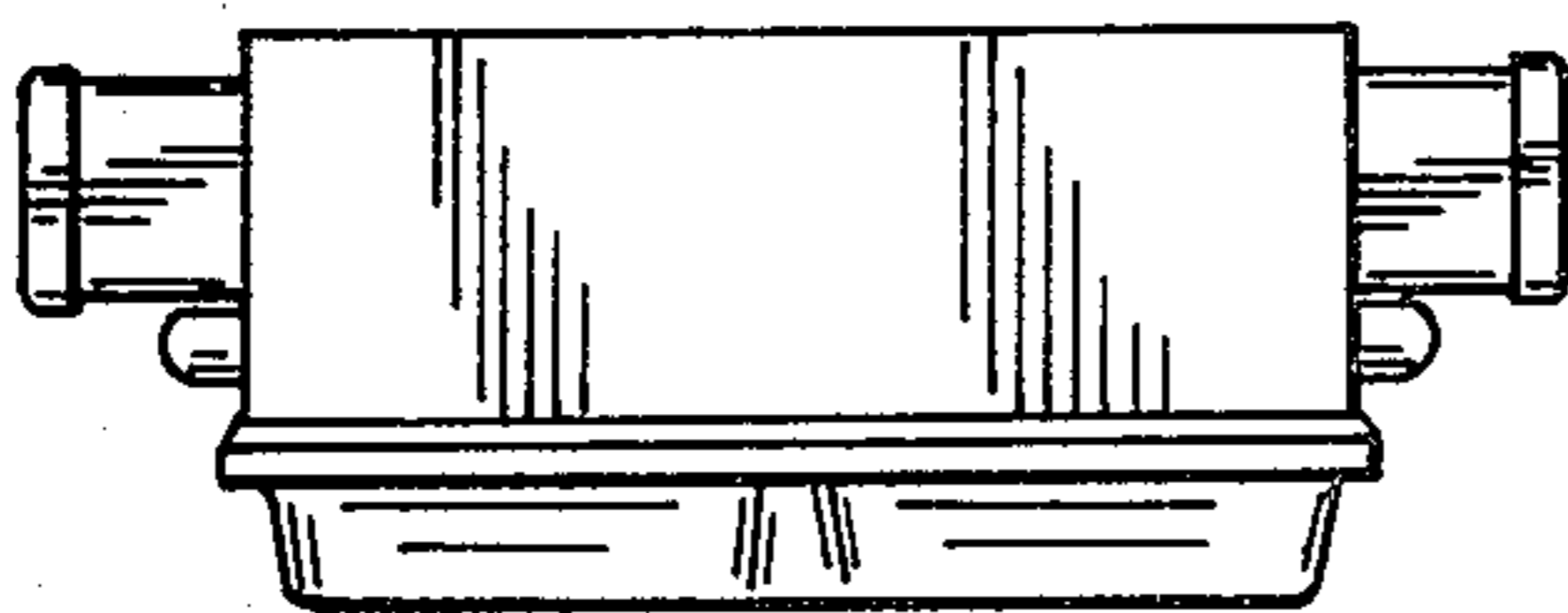


FIG. 7

