

[54] TANK FOR FLUIDS

[75] Inventor: Robin E. Fossey, Redhills, Ireland

[73] Assignee: Container Engineering (Ireland) Limited, Clones, Ireland

[\*\*] Term: 14 Years

[21] Appl. No.: 275,043

[22] Filed: Jun. 18, 1981

[30] Foreign Application Priority Data

Dec. 23, 1980 [IE] Ireland ..... 308/80

[52] U.S. Cl. .... D23/2

[58] Field of Search ..... D23/2; 220/1 B

[56] References Cited

U.S. PATENT DOCUMENTS

- D. 103,210 2/1937 Boardman ..... D23/2
- D. 188,371 7/1960 Bager ..... D23/2
- D. 250,123 10/1978 Berwald ..... D23/2
- 1,953,202 4/1934 Trapnell ..... D23/2 X

- 2,095,256 10/1937 Horton ..... 220/1 B
- 2,119,518 6/1938 Boardman ..... 220/1 B
- 2,380,089 7/1945 Ulm ..... D23/2 X
- 2,673,001 3/1954 Ulm et al. .... 220/1 B
- 3,520,437 7/1970 Fleming et al. .... 220/1 B
- 3,612,329 10/1971 Parks et al. .... 220/1 B

Primary Examiner—James R. Largen  
Attorney, Agent, or Firm—Scully, Scott, Murphy & Presser

[57] CLAIM

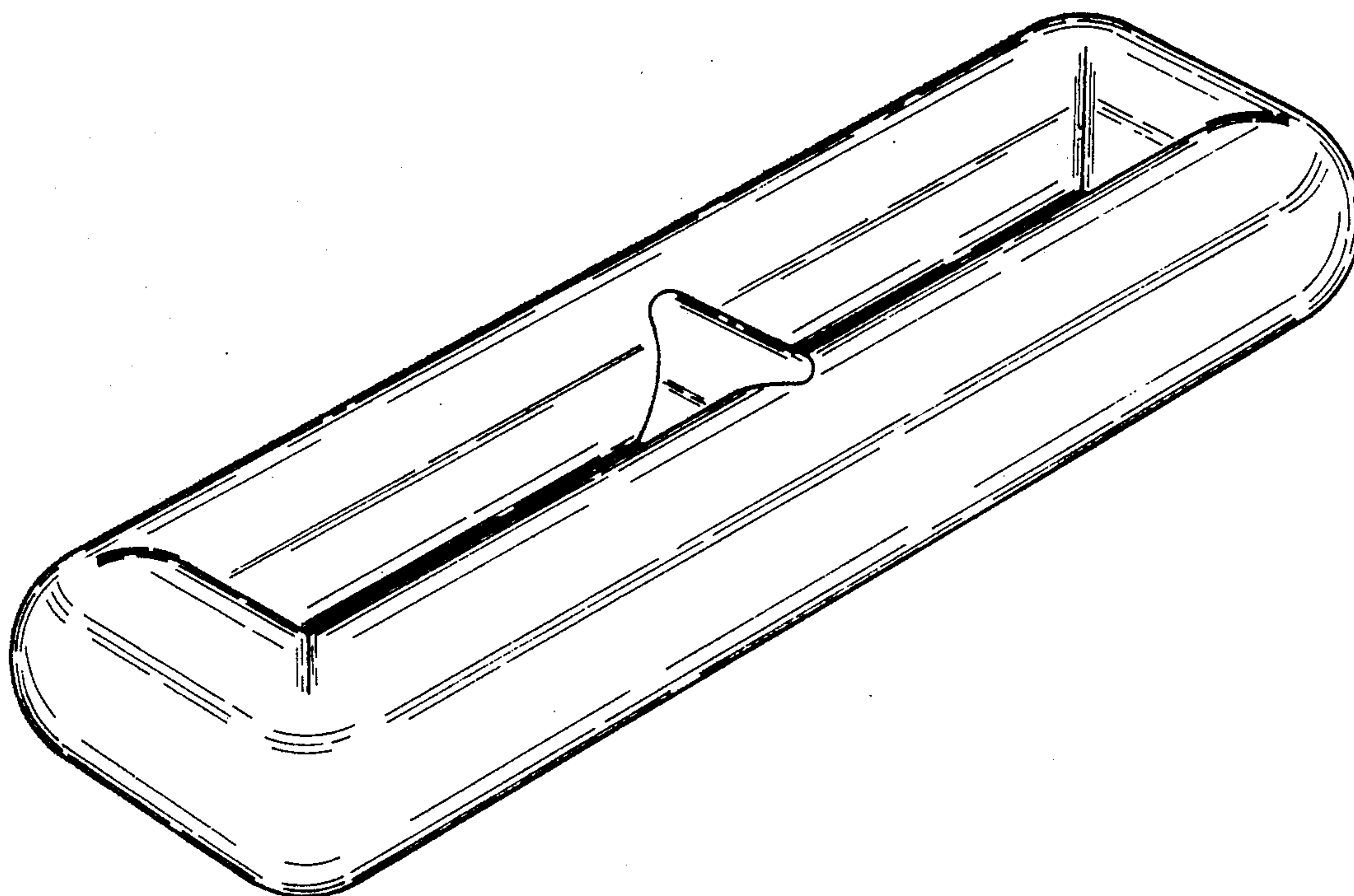
The ornamental design for a tank for fluids, as shown and described.

DESCRIPTION

FIG. 1 is a perspective view taken from the top, one end and one side of a tank for fluids showing my new design;

FIG. 2 is a top plan view thereof, the bottom being the same as the top shown; and

FIG. 3 is an elevational view taken from one side thereof, the opposite side being the same as the side shown.



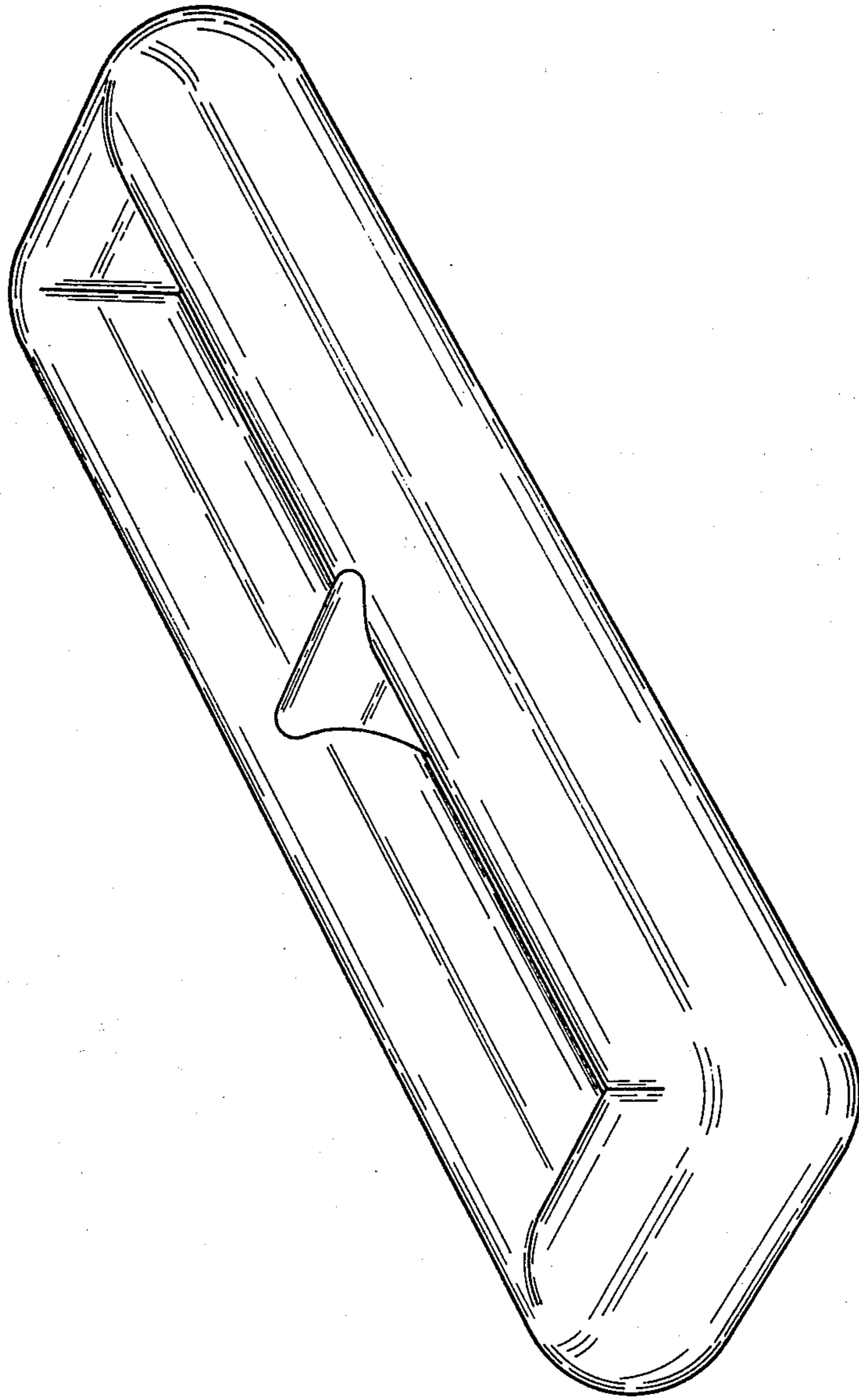


FIG.1

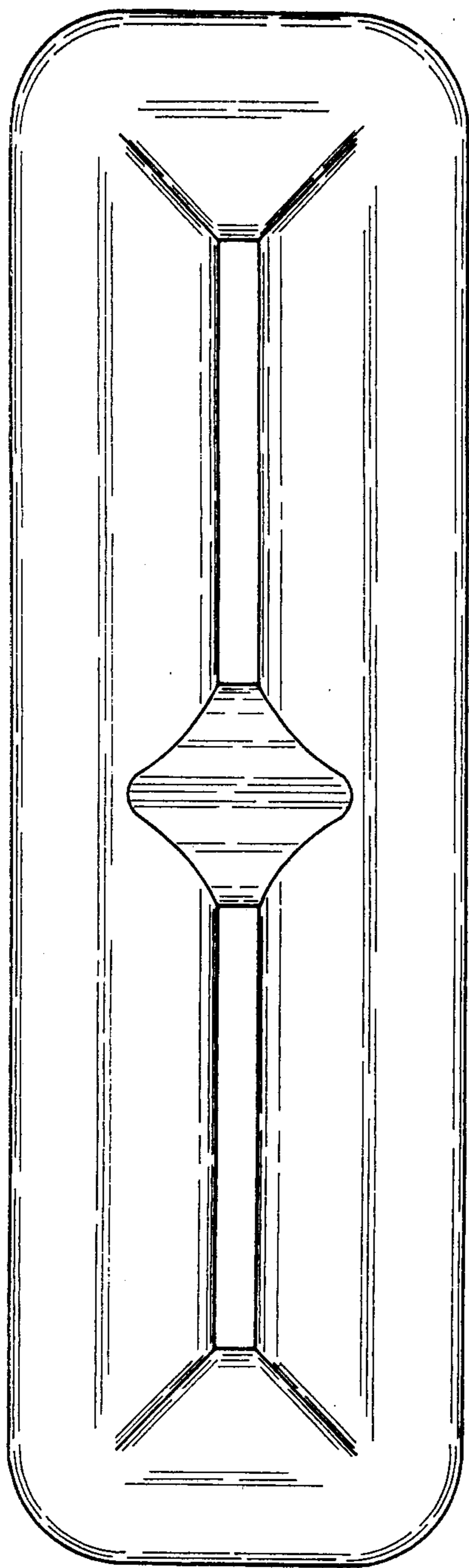


FIG. 2

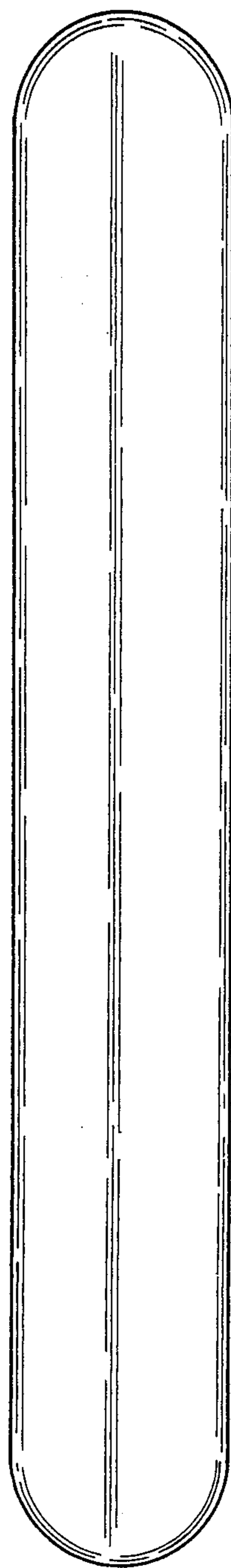


FIG. 3