

[54] COMBINED FISHING ROD HOLDER AND BITS SIGNALLER

4,217,720 8/1980 Karr 43/17

[76] Inventor: Daniel Rhodes, 84 Lincoln Ave., Dover, N.J. 07801

Primary Examiner—A. Hugo Word
Attorney, Agent, or Firm—Bernard J. Murphy

[**] Term: 14 Years

[57] CLAIM

[21] Appl. No.: 391,484

The ornamental design for a combined fishing rod holder and bite signaller, as shown and described.

[22] Filed: Jun. 23, 1982

DESCRIPTION

[52] U.S. Cl. D22/13

[58] Field of Search D22/13, 14, 22; 43/17, 43/21.2

FIG. 1 is a side elevational view of a combined fishing rod holder and bite signaller, according to my design, the opposite side (not shown) being a mirror image thereof;

[56] References Cited

U.S. PATENT DOCUMENTS

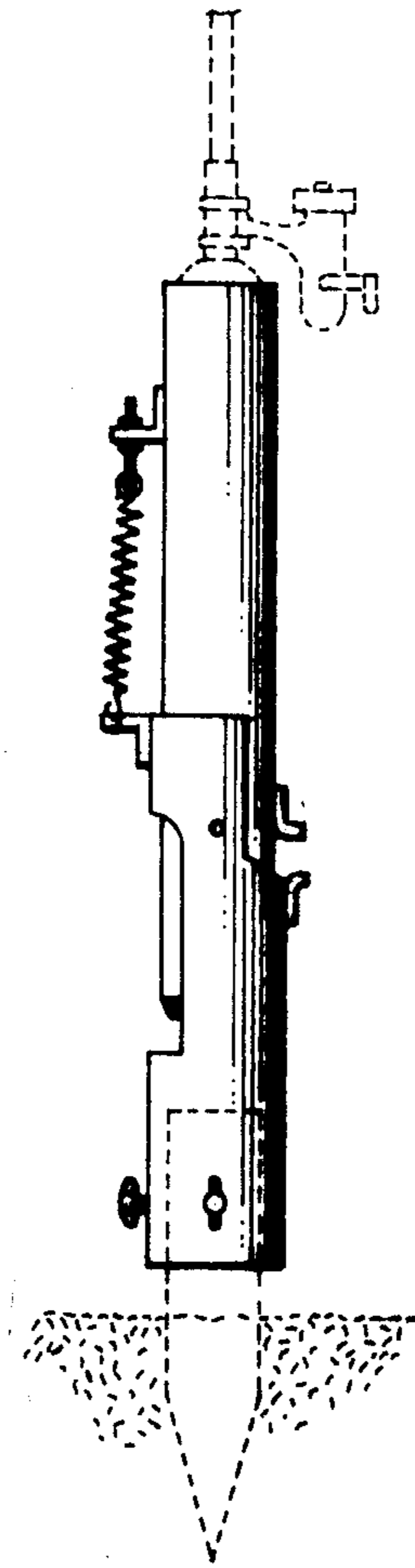
- 2,908,099 10/1959 Burke D22/13 X
- 3,156,997 11/1964 Smith D22/13 X
- 3,285,360 11/1966 Wetsch 43/17
- 4,112,607 9/1978 Scher D22/13 X

FIG. 2 is a rear elevational view, the same being taken from the right-hand side of FIG. 1;

FIG. 3 is a front elevational view, the same being taken from the left-hand side of FIG. 1;

FIG. 4 is a bottom view, taken from the bottom of FIG. 1; and

FIG. 5 is a top view, taken from the top of FIG. 1.



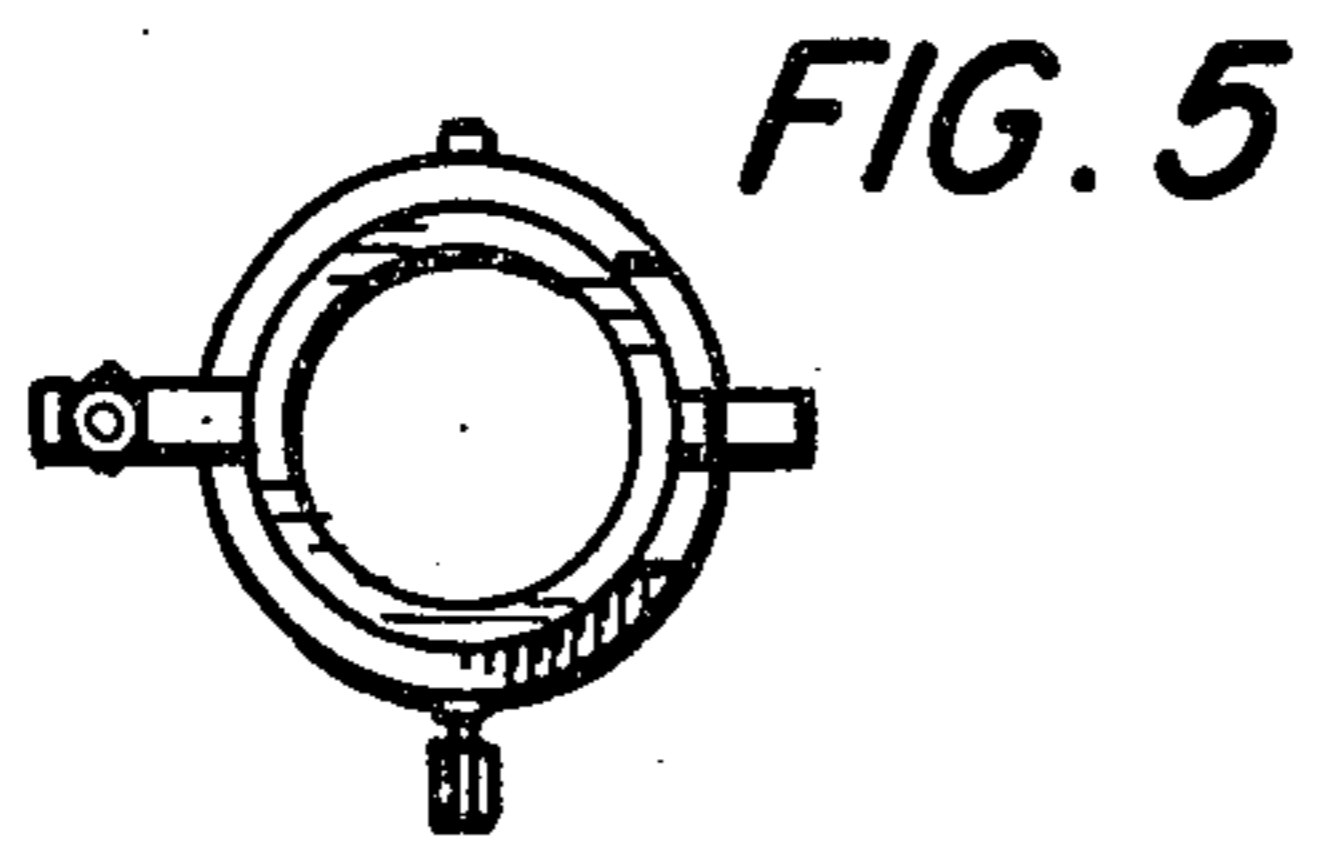


FIG. 3

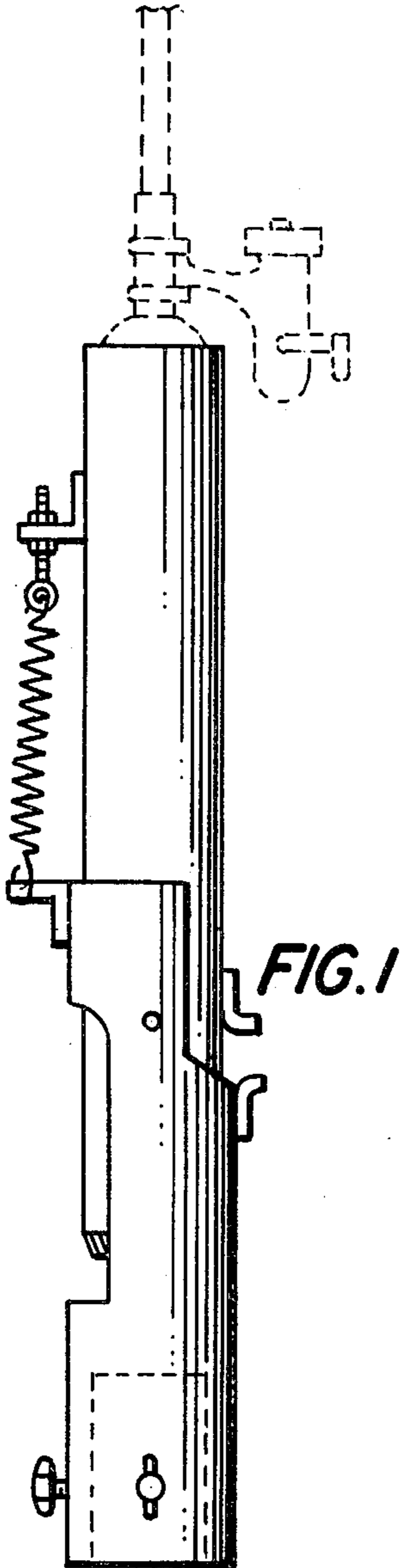
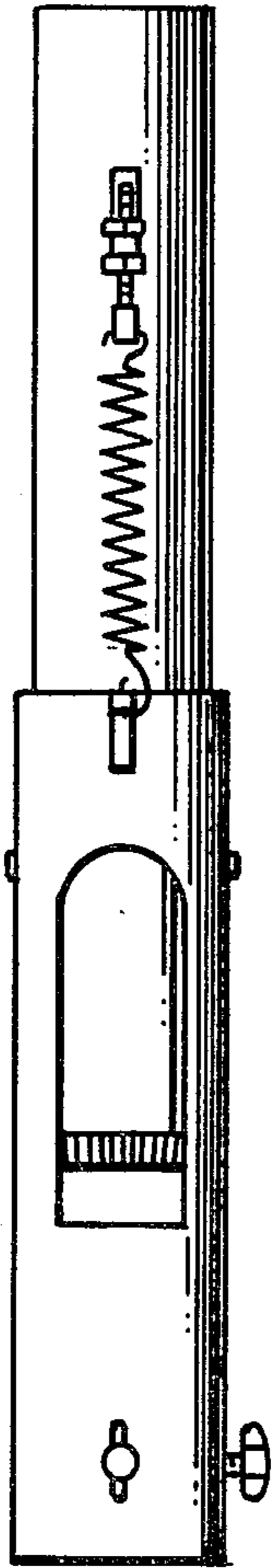


FIG. 2

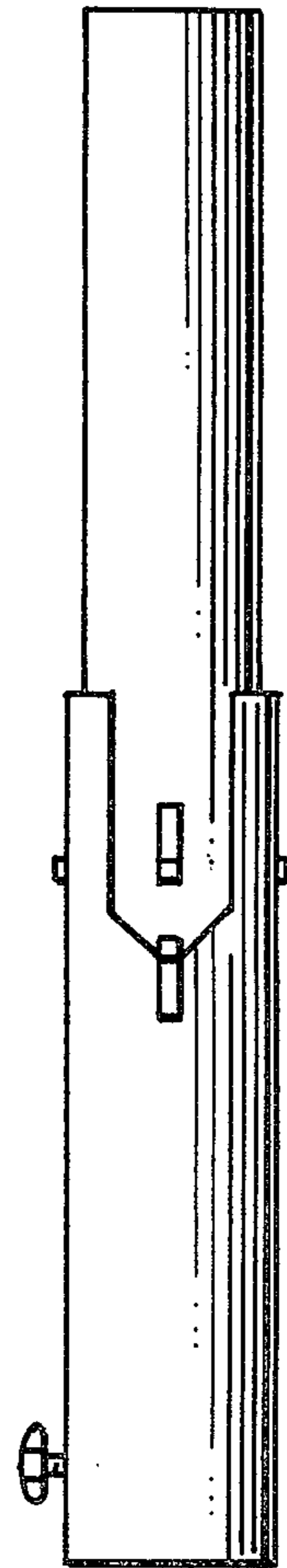


FIG. 4

