

[54] MICROSCOPE

[76] Inventor: **Toshikatsu Yamada**, 48-14 Heiwadai, 2-chome, Nerima-ku, Tokyo, Japan, 176

[\*\*] Term: **14 Years**

[21] Appl. No.: **280,666**

[22] Filed: **Jul. 6, 1981**

[52] U.S. Cl. .... **D16/131**

[58] Field of Search ..... **D6/131; 350/507, 502**

[56] **References Cited**

**U.S. PATENT DOCUMENTS**

D. 148,123	12/1947	Armbruster et al. ....	D16/131
D. 205,729	9/1966	Hoogesteger et al. ....	D16/131
3,166,628	1/1965	Walter .....	D16/131
3,360,641	12/1967	Korte .....	D16/131

**OTHER PUBLICATIONS**

Booklet, The "Nacht 300" Microscope, published by Hacker Instruments, Inc., Caldwell, N.J. 07006.  
Bausch & Lomb Optical Co., Booklet, "Optical Instruments in the Textile Industries ©1931," pp. 28, 44, 45.  
Bausch & Lomb Dynoptic Med. Microscopes Booklet, p. 5.  
La Pine Science Catalog 1981-1982, ©1981, p. 22.

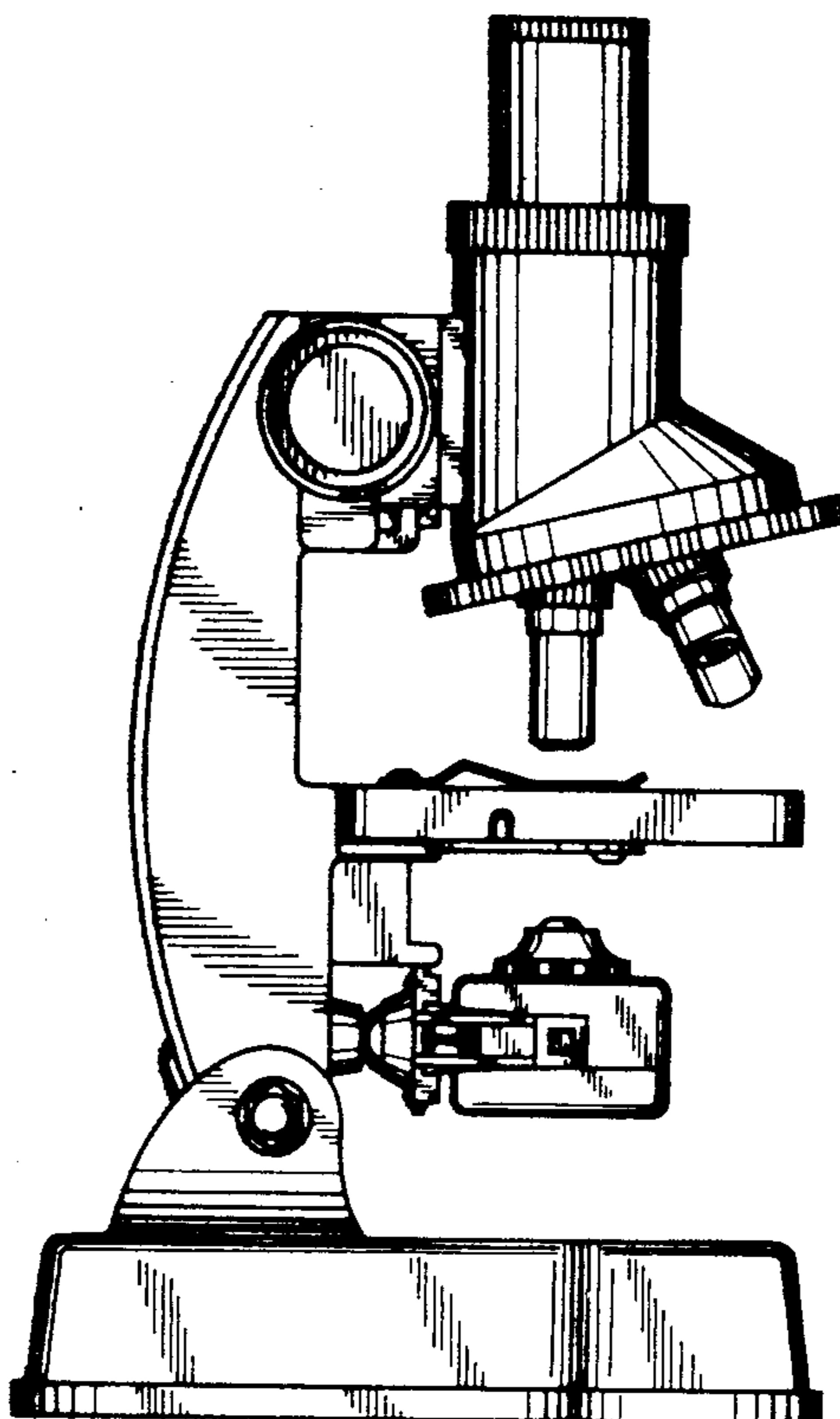
*Primary Examiner*—Wallace R. Burke  
*Assistant Examiner*—Horace B. Fay

[57] **CLAIM**

The ornamental design for a microscope, as shown and described.

**DESCRIPTION**

FIG. 1 is a side elevational view of a microscope showing my new design;  
FIG. 2 is a front elevational view thereof;  
FIG. 3 is an elevational view of the side opposite that shown in FIG. 1;  
FIG. 4 is a rear elevational view thereof;  
FIG. 5 is a top plan view thereof;  
FIG. 6 is a bottom plan view thereof.



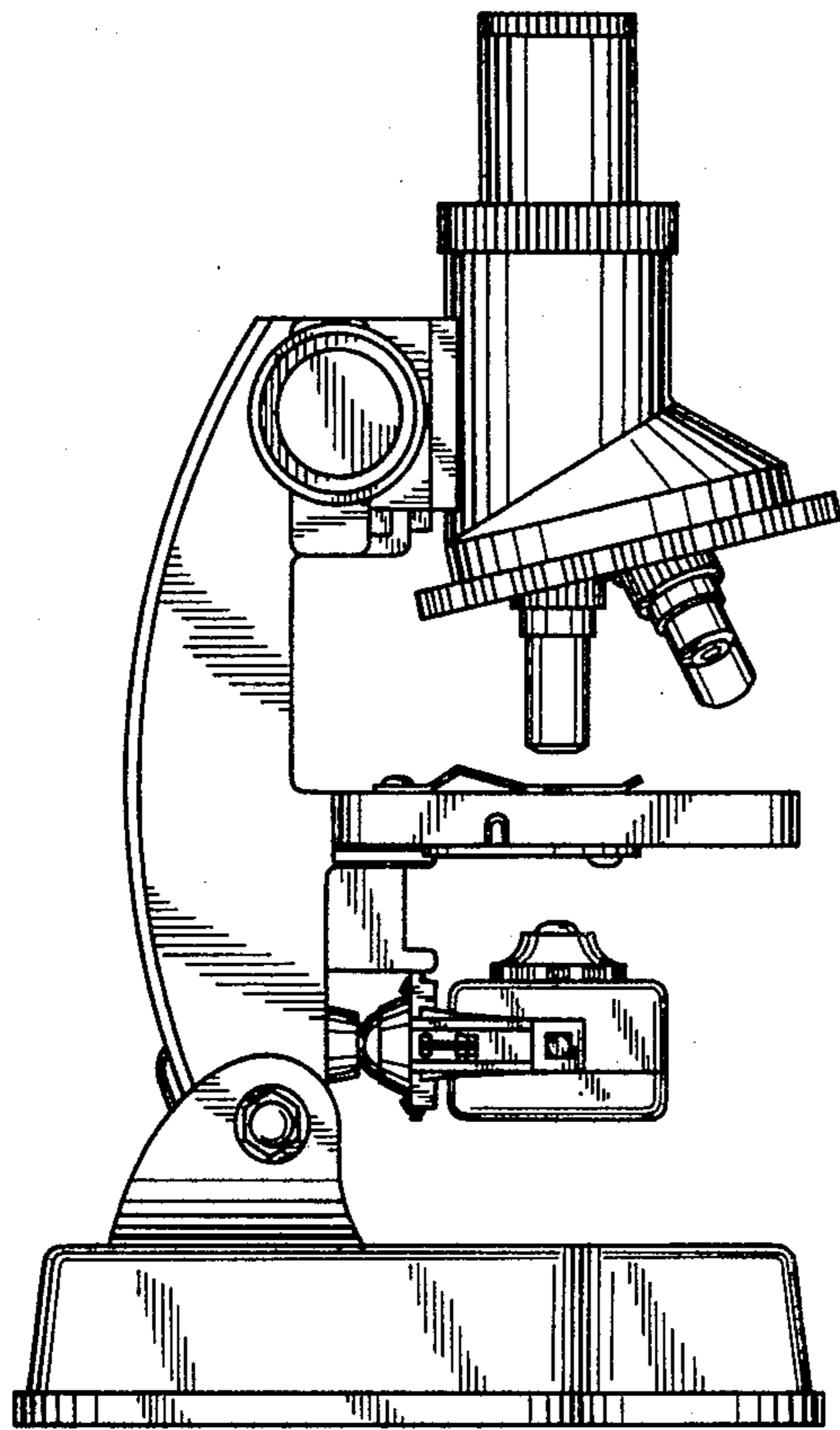


FIG. 1

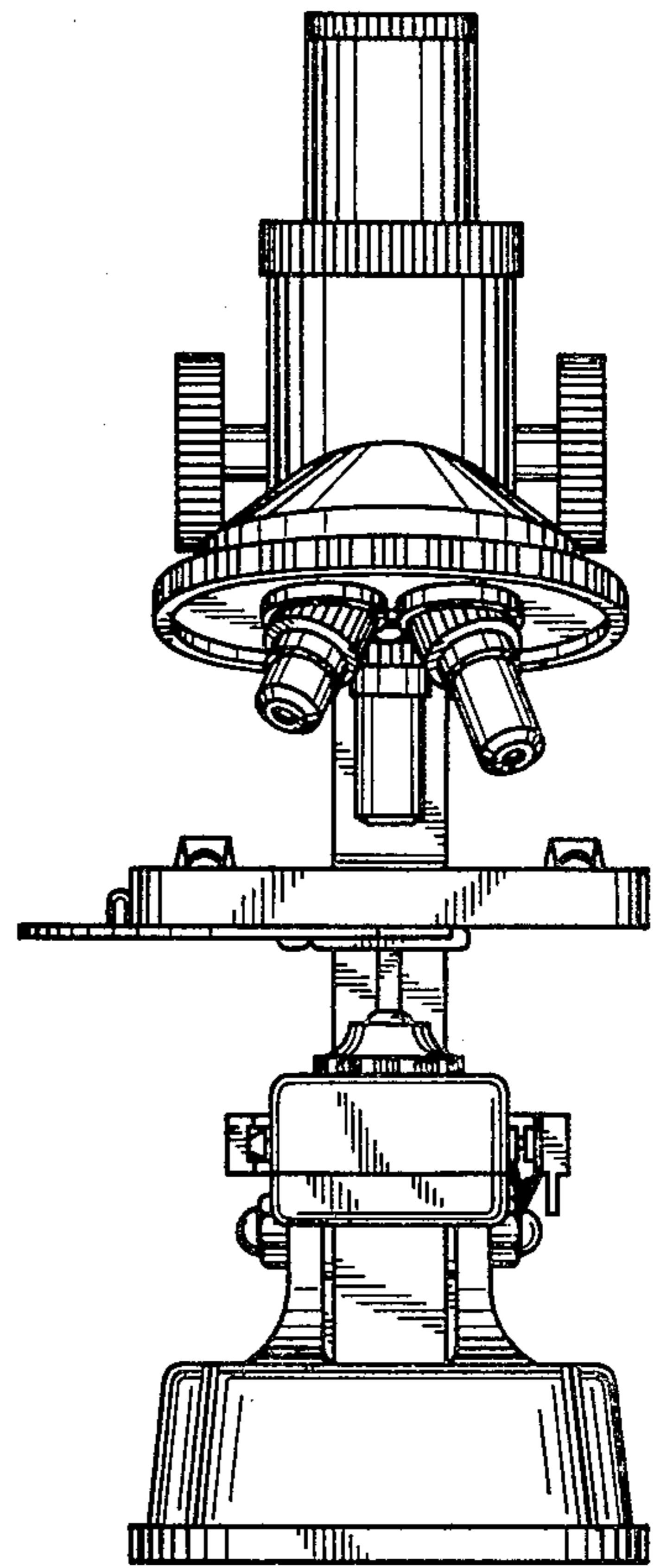


FIG. 2

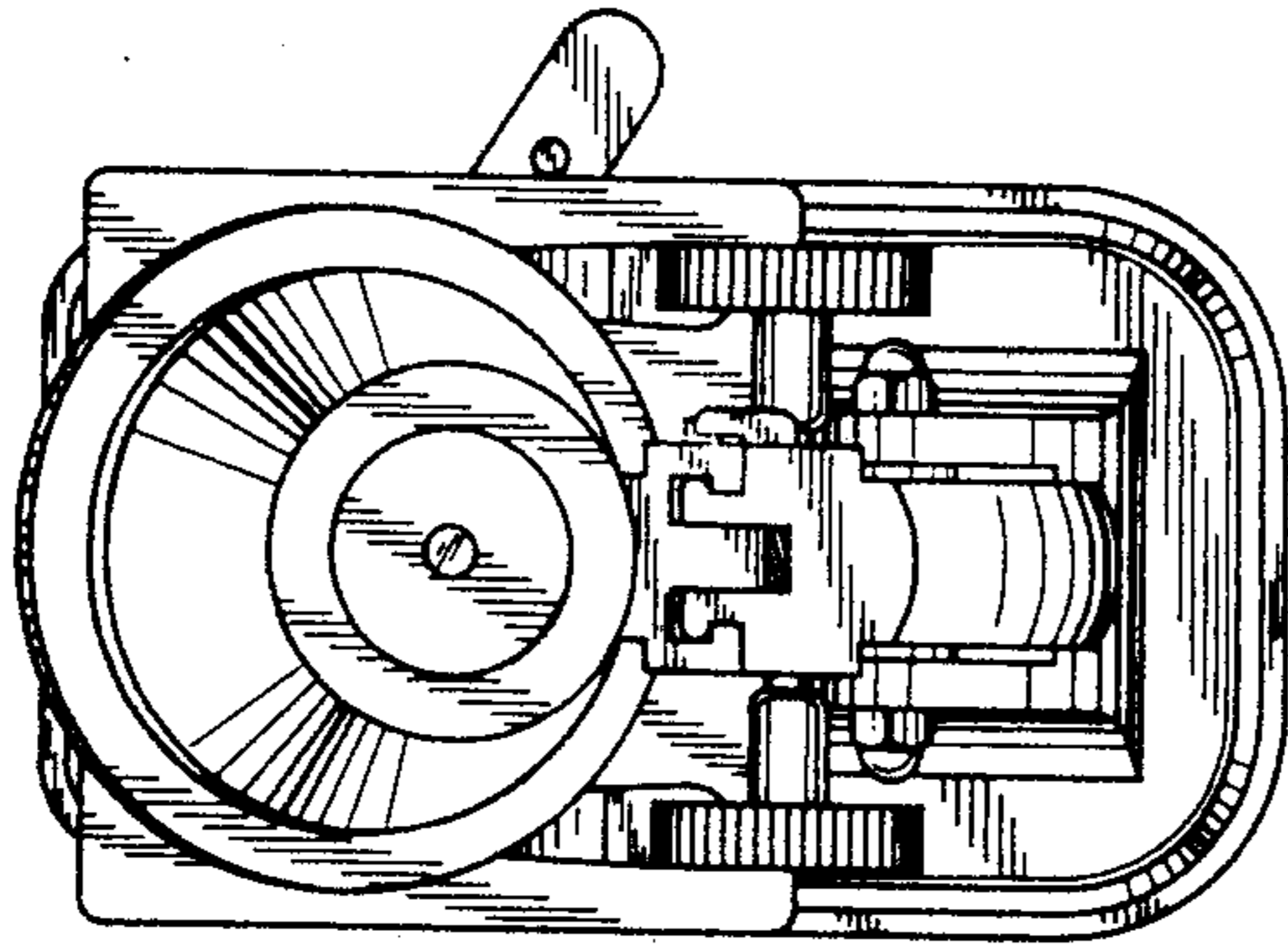


FIG. 5

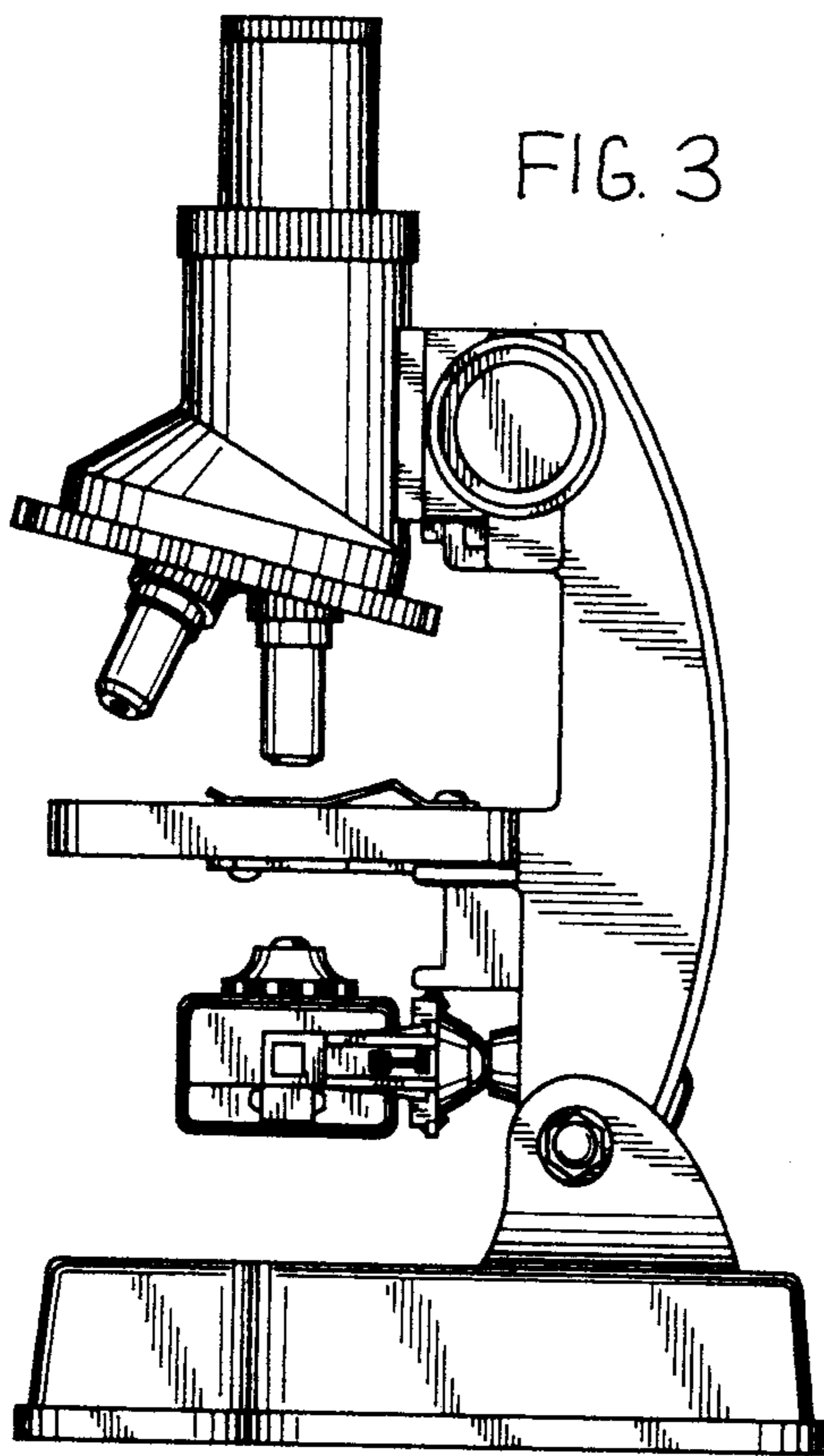


FIG. 3

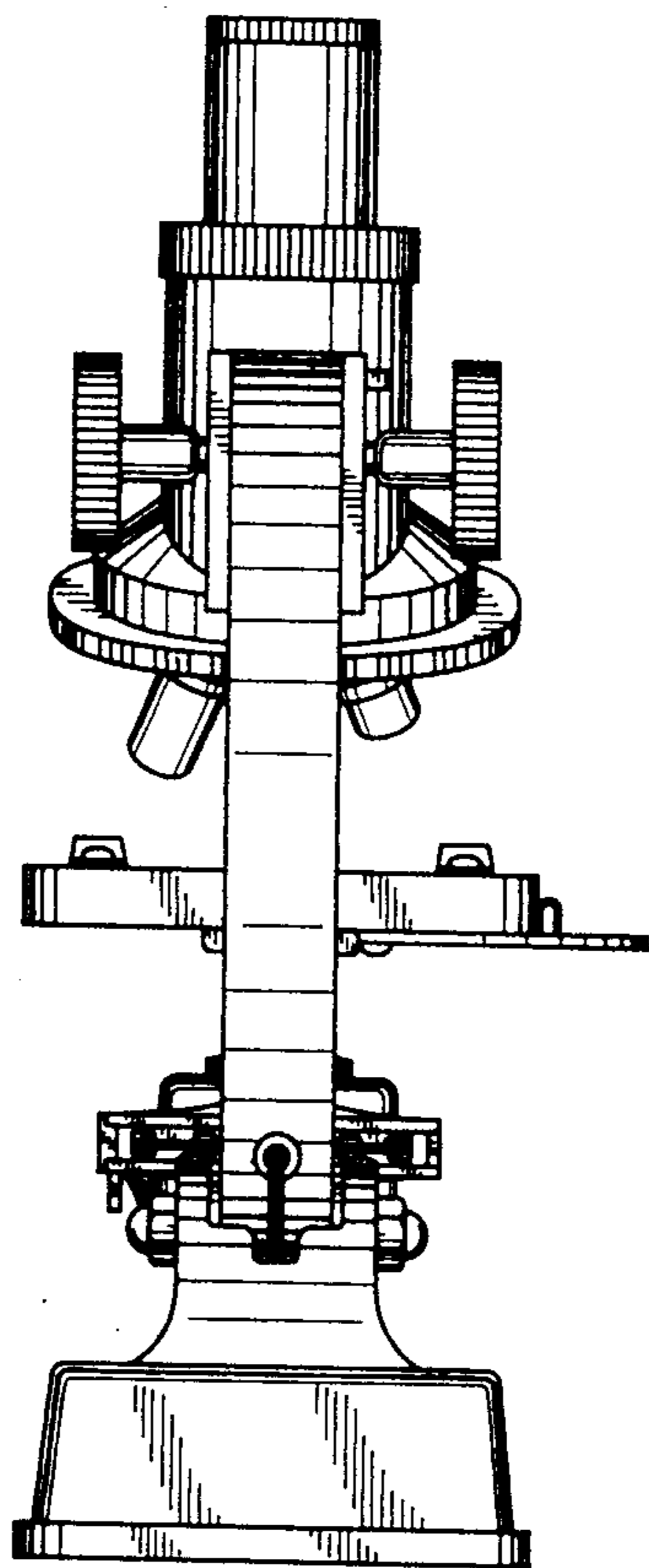


FIG. 4

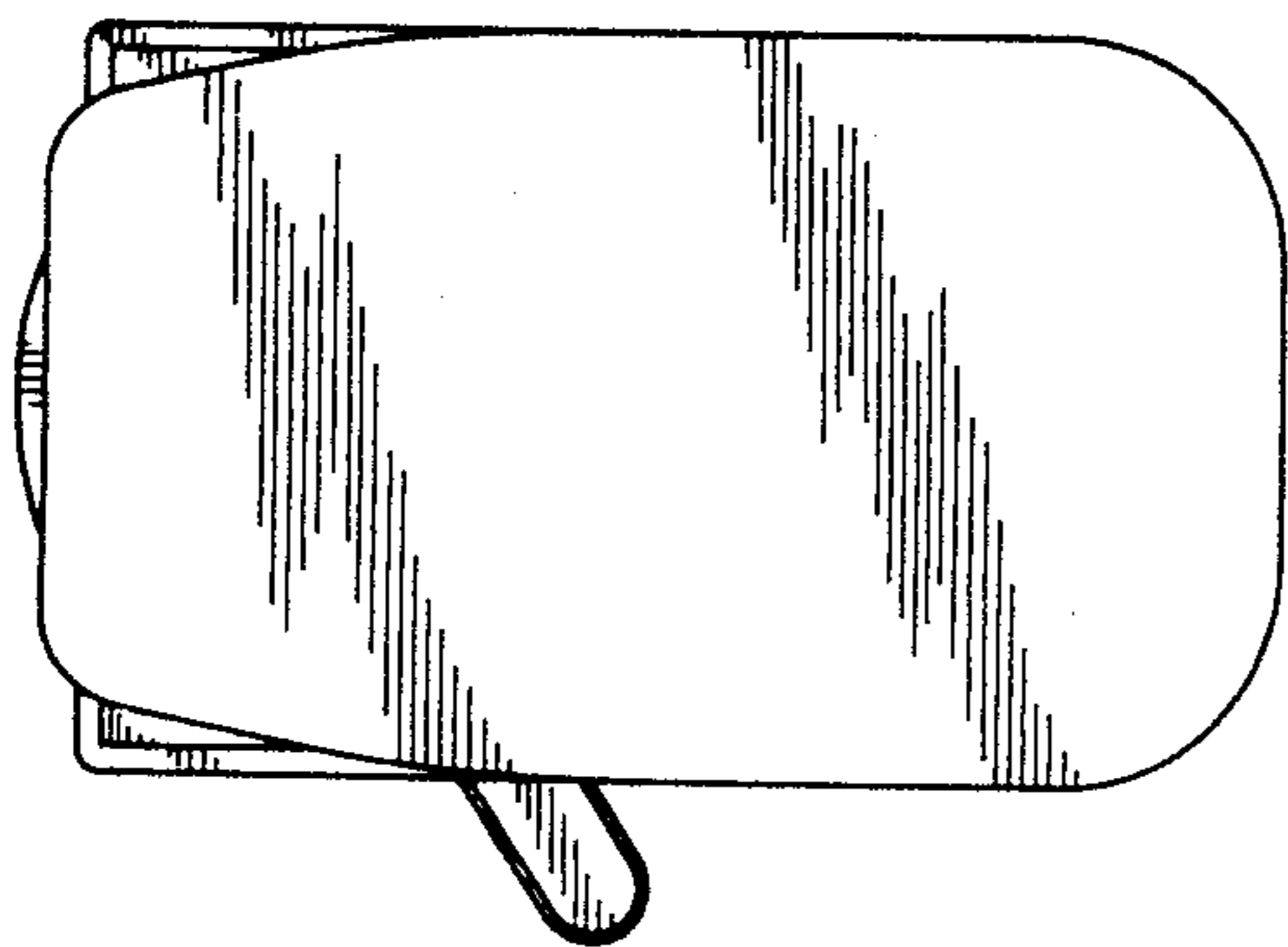


FIG. 6