

[54] **CABLE T.V. CONNECTOR FOR MARINE VESSEL HULLS OR THE LIKE**

[76] Inventor: **Larry L. Brandon, 1309 SW. 5th Ct., Ft. Lauderdale, Fla. 33312**

[**] Term: **14 Years**

[21] Appl. No.: **237,574**

[22] Filed: **Feb. 23, 1981**

[52] U.S. Cl. **D13/24**

[58] Field of Search **D13/24, 27, 28, 29, D13/30; 339/17 R, 17 CF, 17 M, 18 R, 18 B, 36, 37, 10, 20, 61, 64, 89 R; 174/52 R; 142/53; 151/50, 52; 152/52 S**

[56] **References Cited**

U.S. PATENT DOCUMENTS

D. 211,469 6/1968 Seagrave et al. D13/24

D. 230,155 1/1974 Brown D13/30

3,629,789 12/1971 Szeremy 339/156 R X

3,633,150 1/1972 Swartz 339/36

3,951,490 4/1976 Devendorf 339/17 C

3,989,333 11/1976 Cauldwell 339/17 C

4,053,195 10/1977 Laverick et al. 339/37

4,060,299 11/1977 Williams 339/89 R X

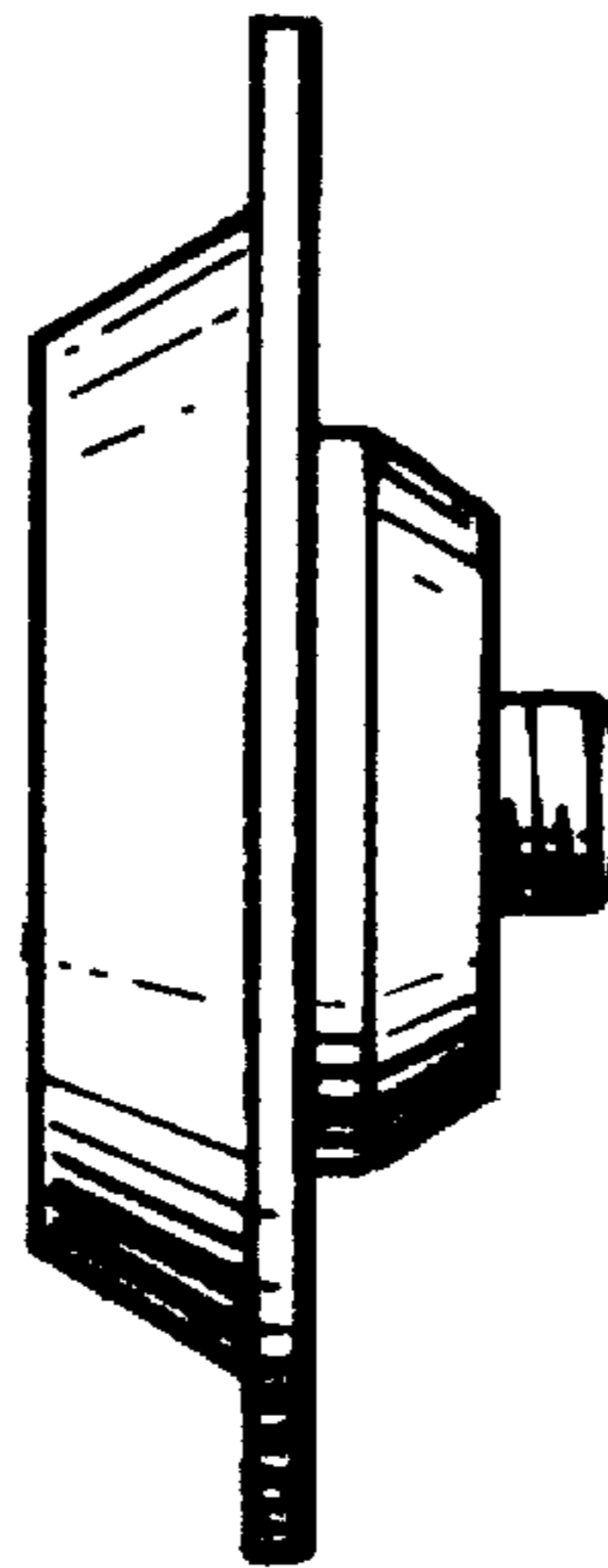
Primary Examiner—Susan J. Lucas
Attorney, Agent, or Firm—Eugene F. Malin

[57] **CLAIM**

The ornamental design for cable t.v. connector for marine vessel hulls or the like, as shown and described.

DESCRIPTION

FIG. 1 is a top view of a cable t.v. connector for marine vessel hulls or the like, showing my new design;
 FIG. 2 is a side elevational view thereof, all sides being identical; and
 FIG. 3 is a bottom plan view thereof;
 FIG. 4 is a cross-sectional view taken across lines 4—4 of FIG. 3.



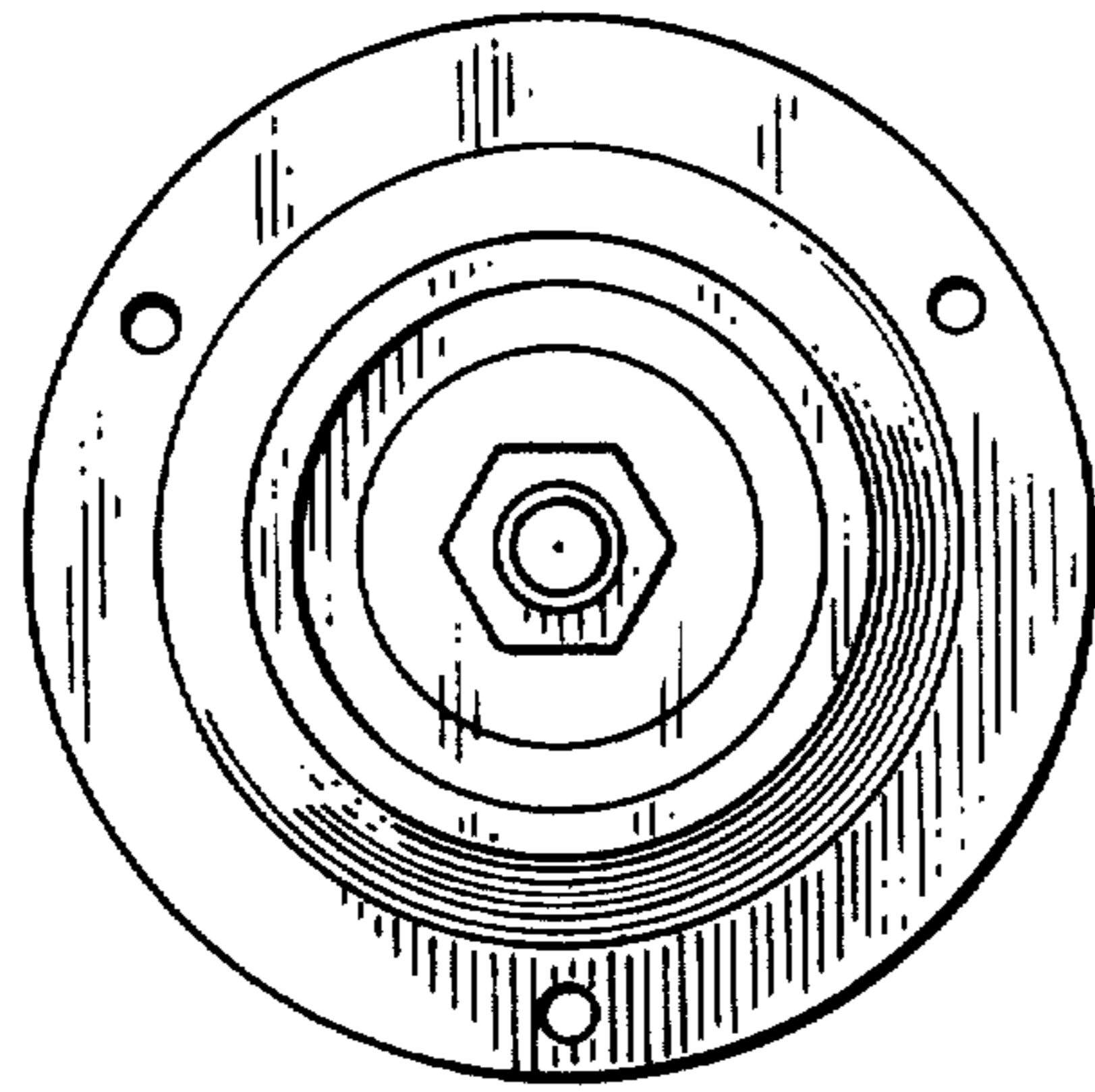


Fig. 1.

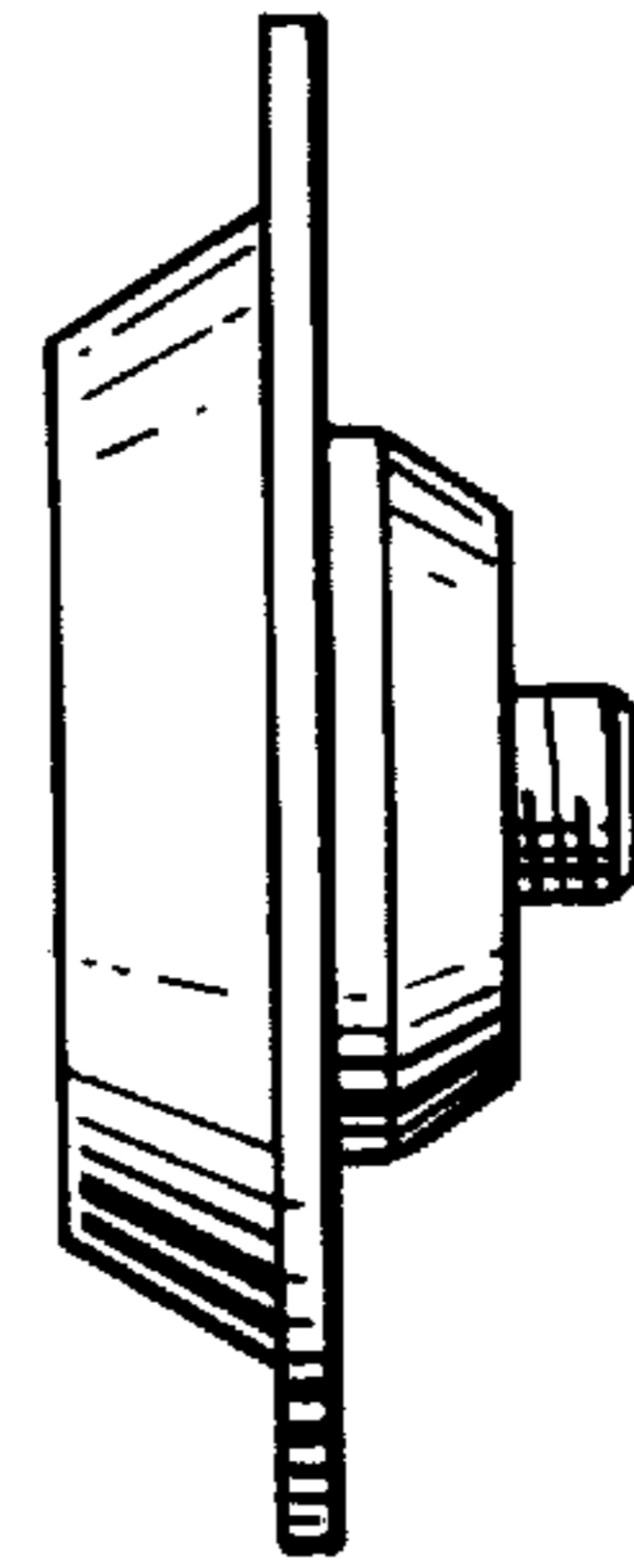


Fig. 2.

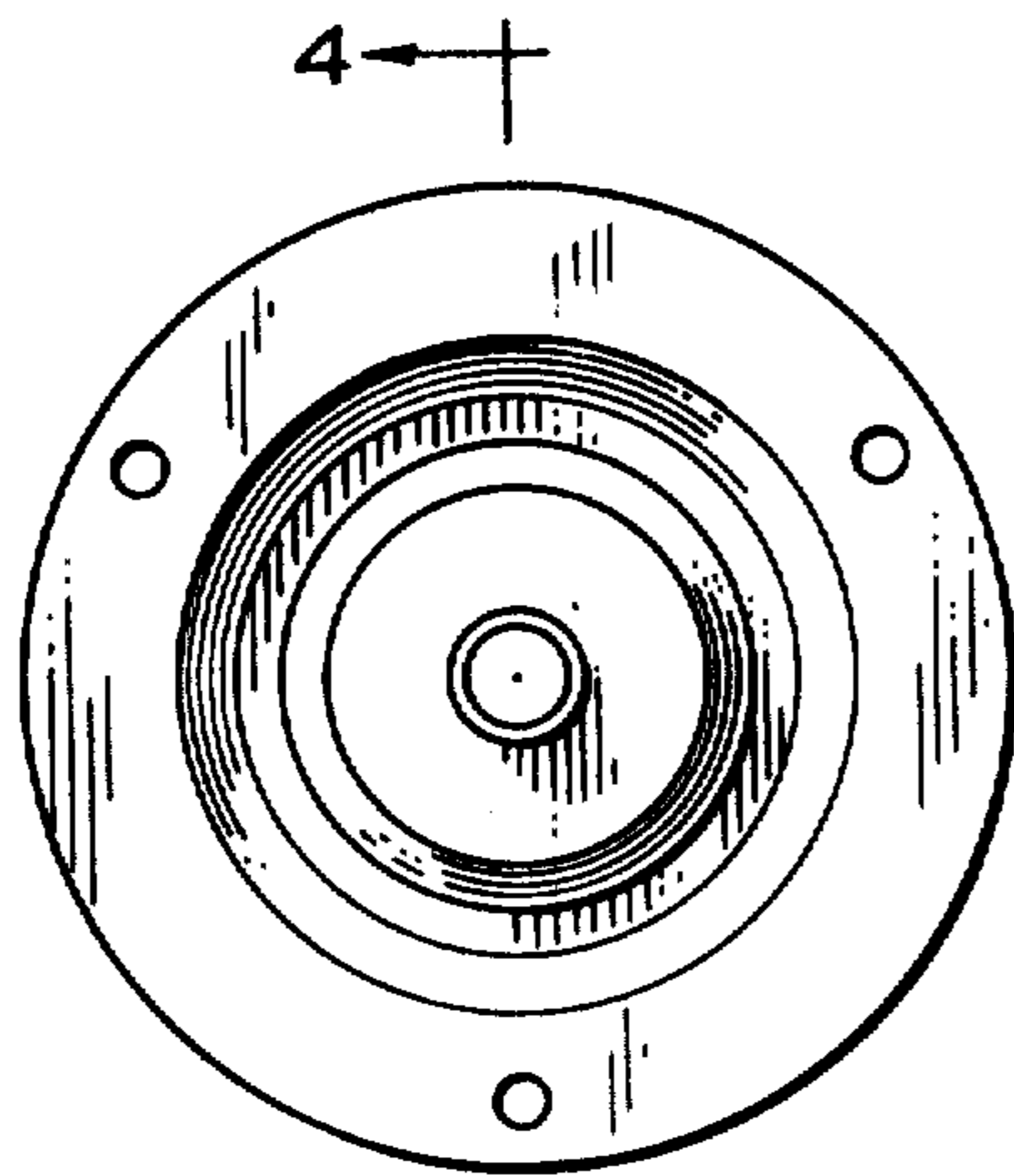


Fig. 3. 4 ←

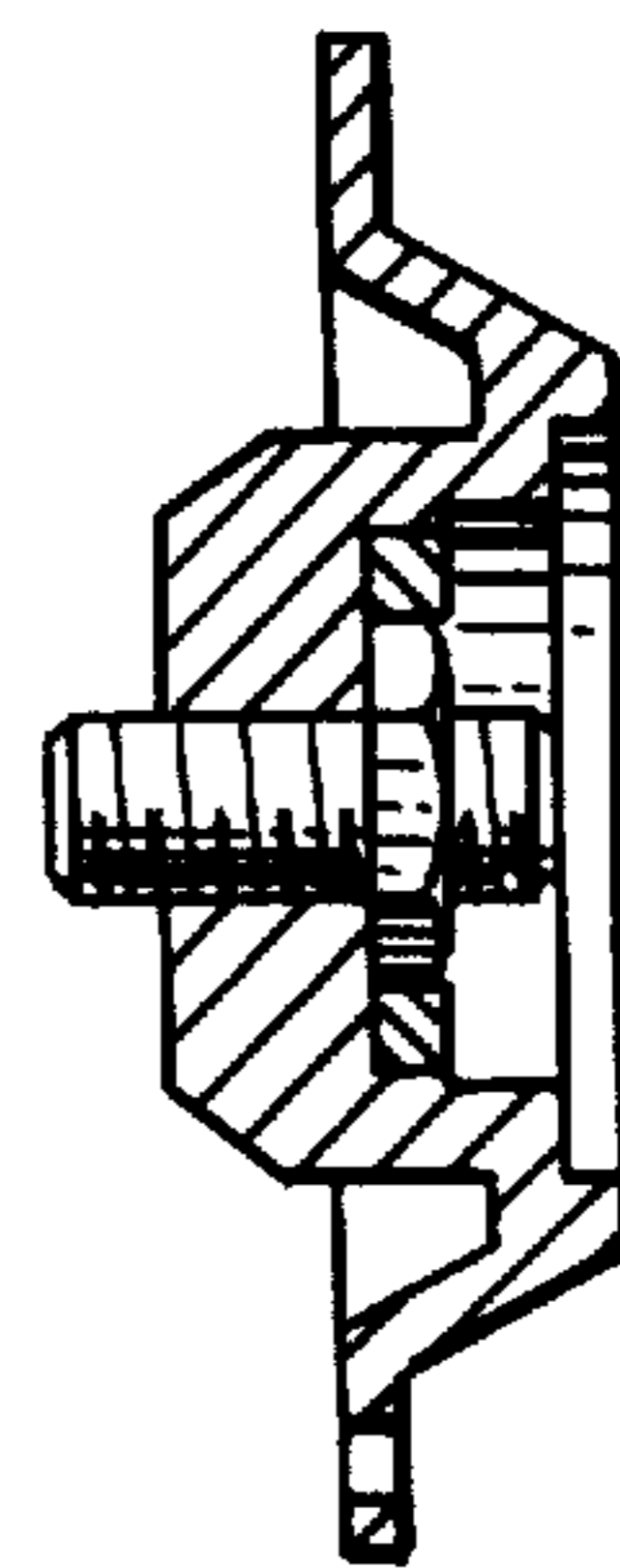


Fig. 4.