

[54] PLANTER

[76] Inventors: Bernard Vuarnesson, 1 Boulevard St-Michel, Paris, France, 75005; Minh Luong, 31 rue de Charties, Orsay, France, 91400; Joel Rabinowitz, 5 rue Marmontel, Paris, France, 75015

[**] Term: 14 Years

[21] Appl. No.: 451,228

[22] Filed: Dec. 20, 1982

[30] Foreign Application Priority Data

Sep. 10, 1982 [FR] France 823060
[52] U.S. Cl. D11/155; D11/143
[58] Field of Search D11/143, 155, 156; D6/182, 183; 47/66, 67, 72, 79-83, 86, 73, 77; D7/45

[56] References Cited

U.S. PATENT DOCUMENTS

D. 256,757 9/1980 Stahel D7/45
1,147,975 7/1915 Ruff 47/83
4,250,666 2/1981 Rakestraw 47/83

FOREIGN PATENT DOCUMENTS

2540038 3/1977 Fed. Rep. of Germany 47/83
2390088 1/1979 France 47/83

Primary Examiner—B. J. Bullock
Attorney, Agent, or Firm—Alan H. Levine

[57] CLAIM

The ornamental design for a planter, substantially as shown.

DESCRIPTION

FIG. 1 is a perspective view, from the top and two sides, of a planter showing our new design; FIG. 2 is a perspective view thereof, from the bottom and the other two sides; and FIG. 3 is a perspective view thereof, from the top and two sides, showing the planting trays in extended condition.

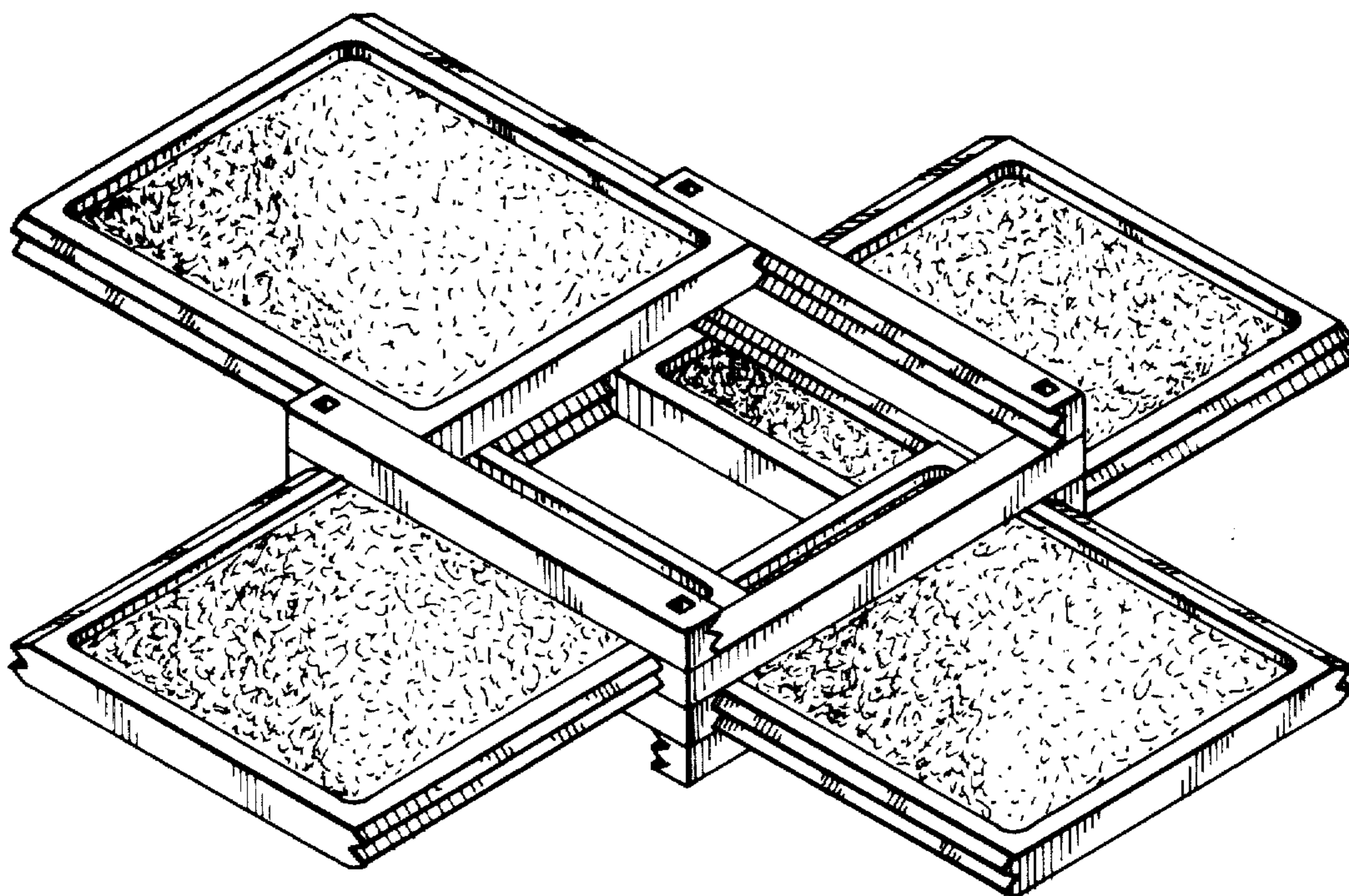


FIG. 1

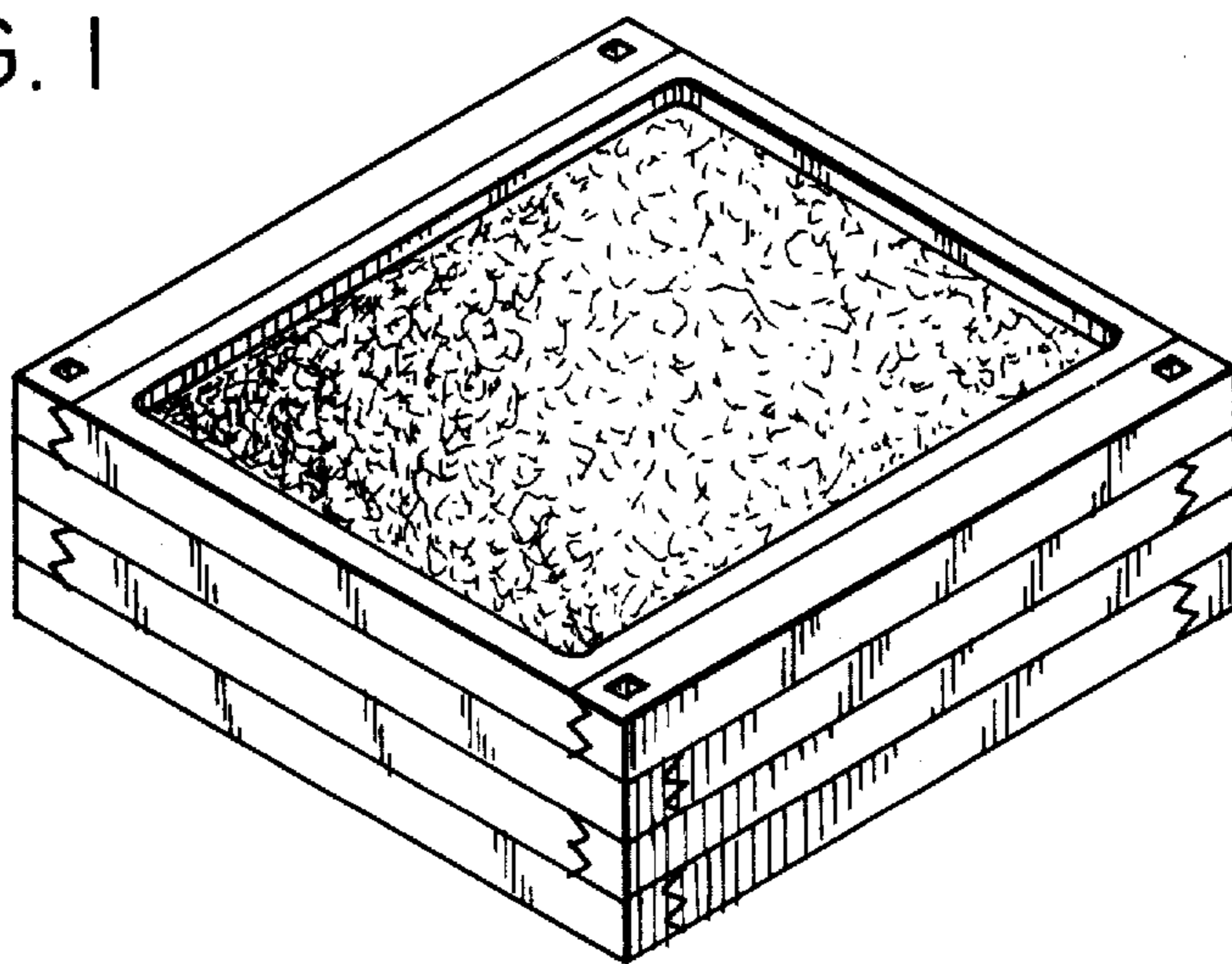


FIG. 2

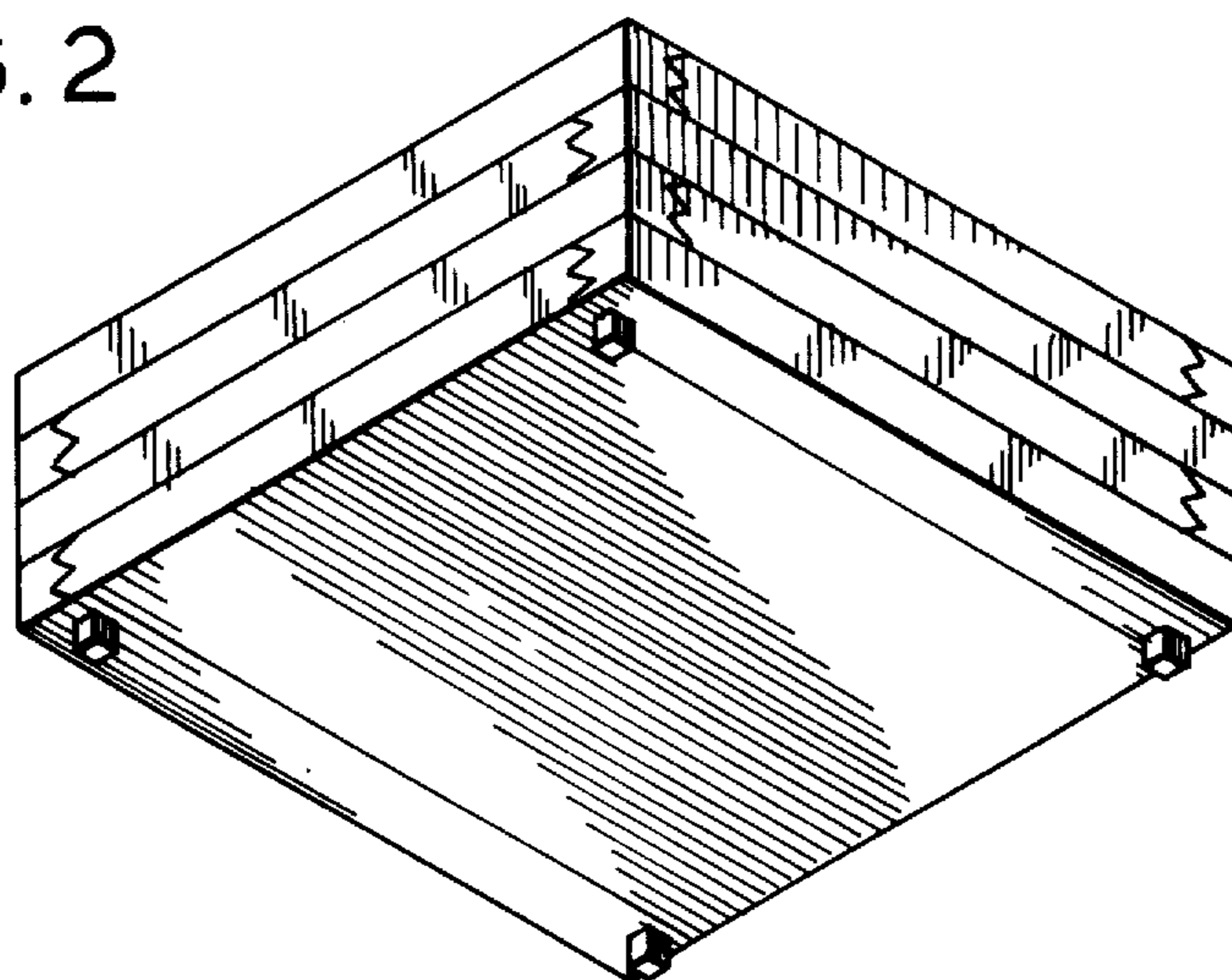


FIG. 3

