

[54] **SNAP-ACTION CLIP**
[75] **Inventor: Keizaburo Sakaguchi, Tokyo, Japan**
[73] **Assignee: Sakaguchi Plastic Industrial Co., Ltd., Tokyo, Japan**
[**] **Term: 14 Years**
[21] **Appl. No.: 286,049**
[22] **Filed: Jul. 22, 1981**

[30] **Foreign Application Priority Data**
Feb. 5, 1981 [JP] Japan 56-4197
[52] **U.S. Cl. D8/396; D8/394**
[58] **Field of Search D8/356, 382, 394-396;**
24/255 SL, 256, 257, 259 R, 336, 339, 487, 16
R; 248/61, 65, 74.1, 74.3

[56] **References Cited**
FOREIGN PATENT DOCUMENTS
54-162059 12/1979 Japan .
Primary Examiner—B. J. Bullock
Attorney, Agent, or Firm—Weinstein & Sutton

[57] **CLAIM**
The ornamental design for a snap-action clip, as shown.

DESCRIPTION
FIG. 1 is a perspective view of a snap-action clip showing my new design;
FIG. 2 is a front view thereof;
FIG. 3 is a top view thereof;
FIG. 4 is a side view taken from the left of FIG. 2;
FIG. 5 is a side view taken from the right of FIG. 2;
FIG. 6 is a bottom view thereof;
FIG. 7 is a perspective view thereof in the opened position.

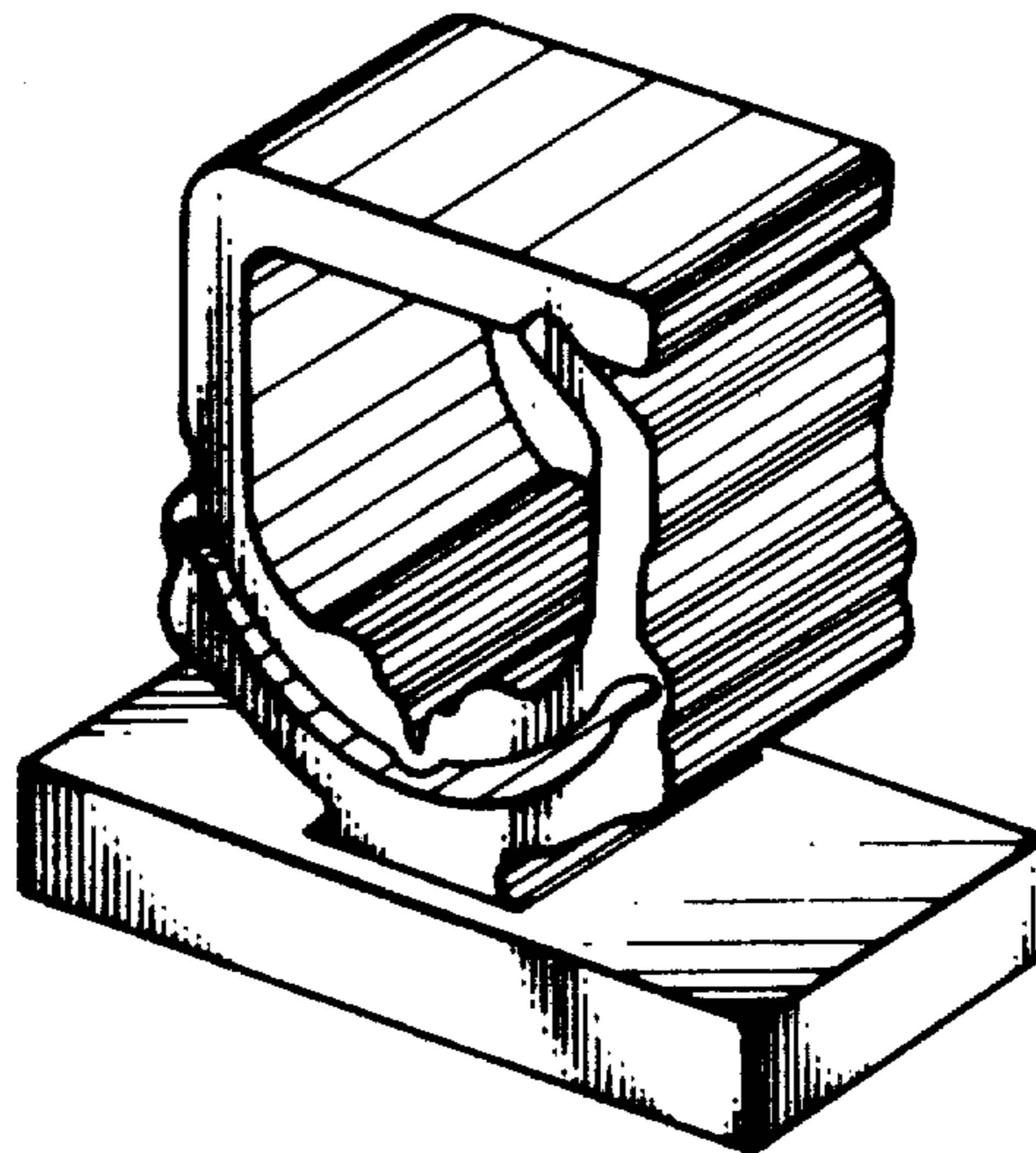


FIG. 1

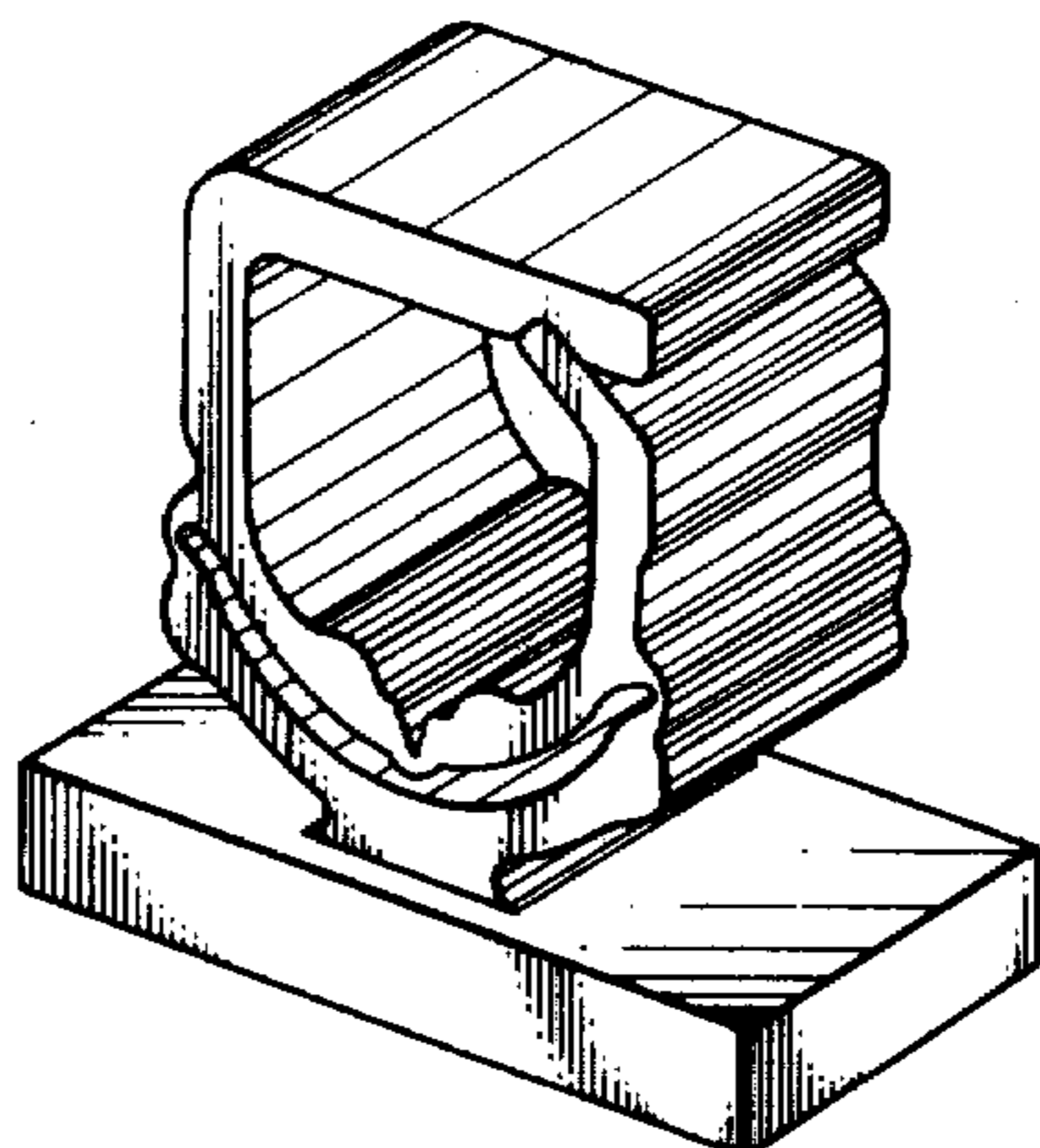


FIG. 2

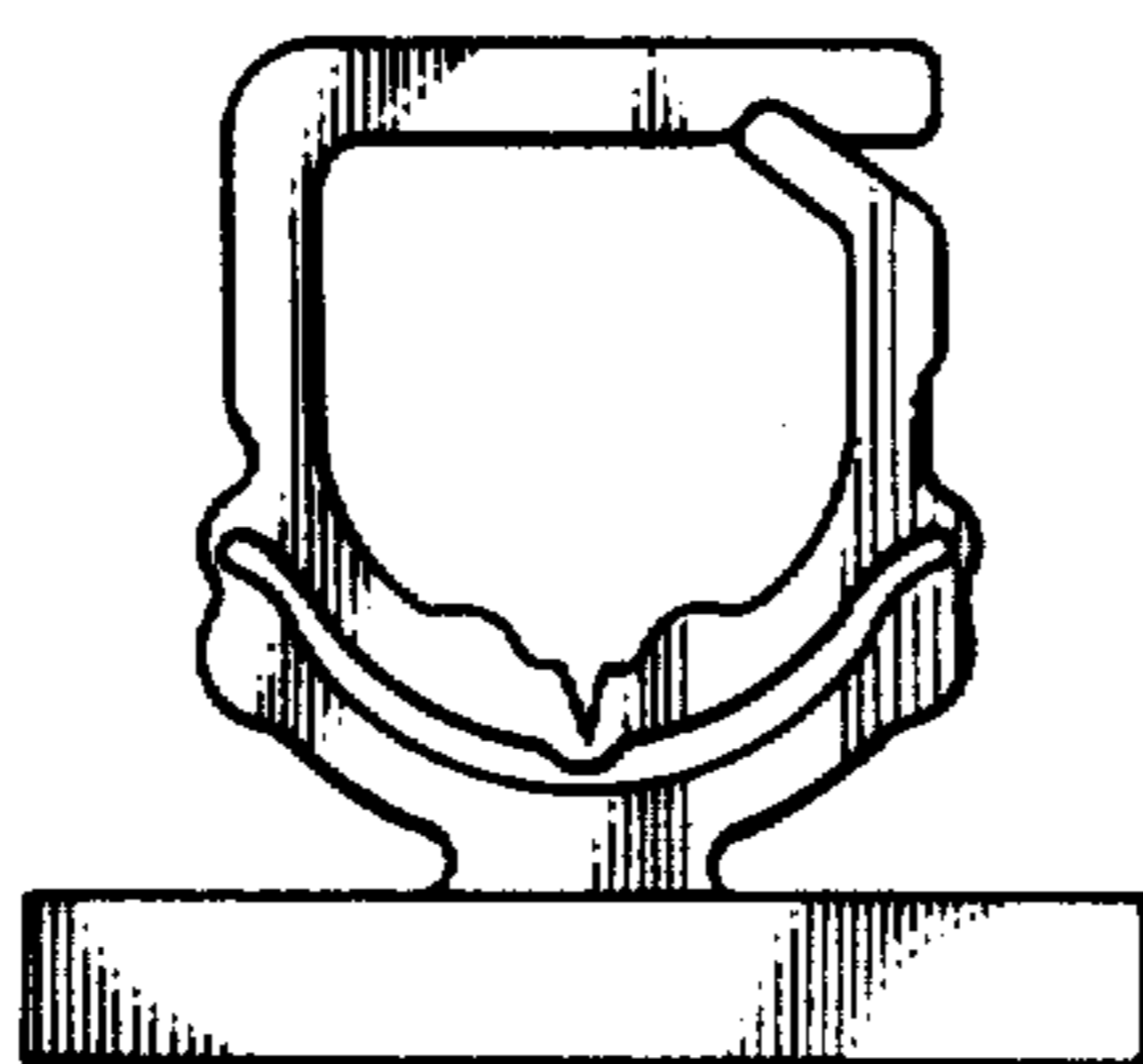


FIG. 3



FIG.4

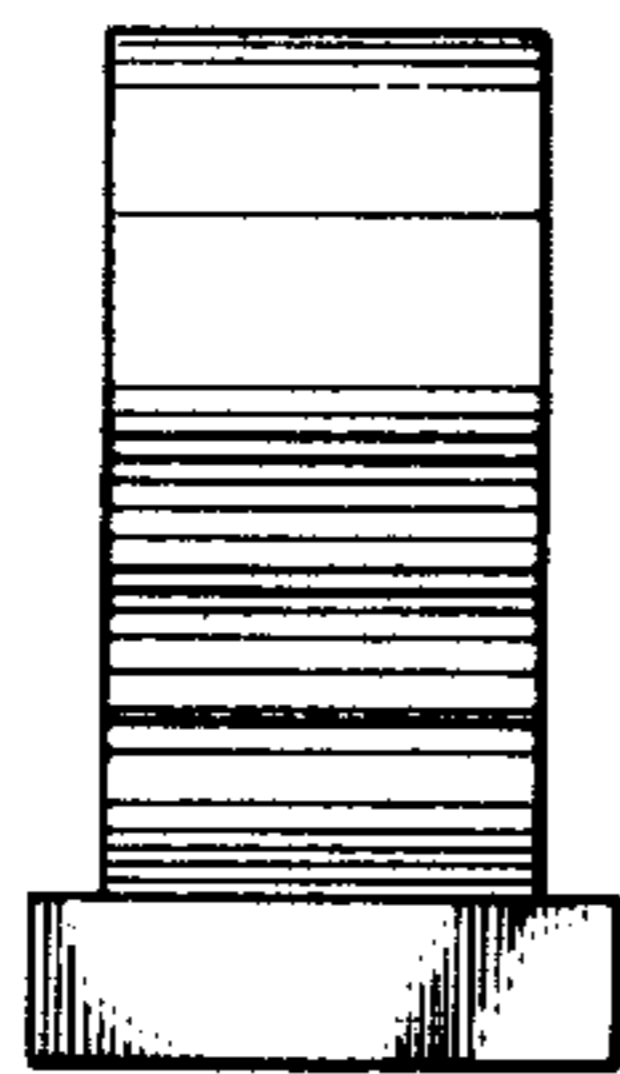


FIG.5

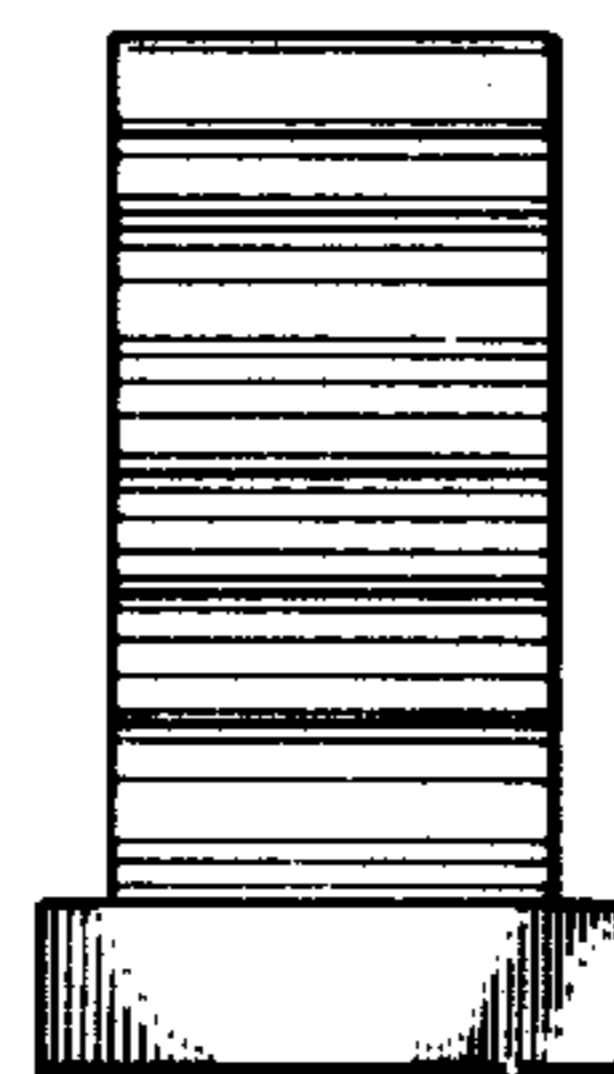


FIG.6

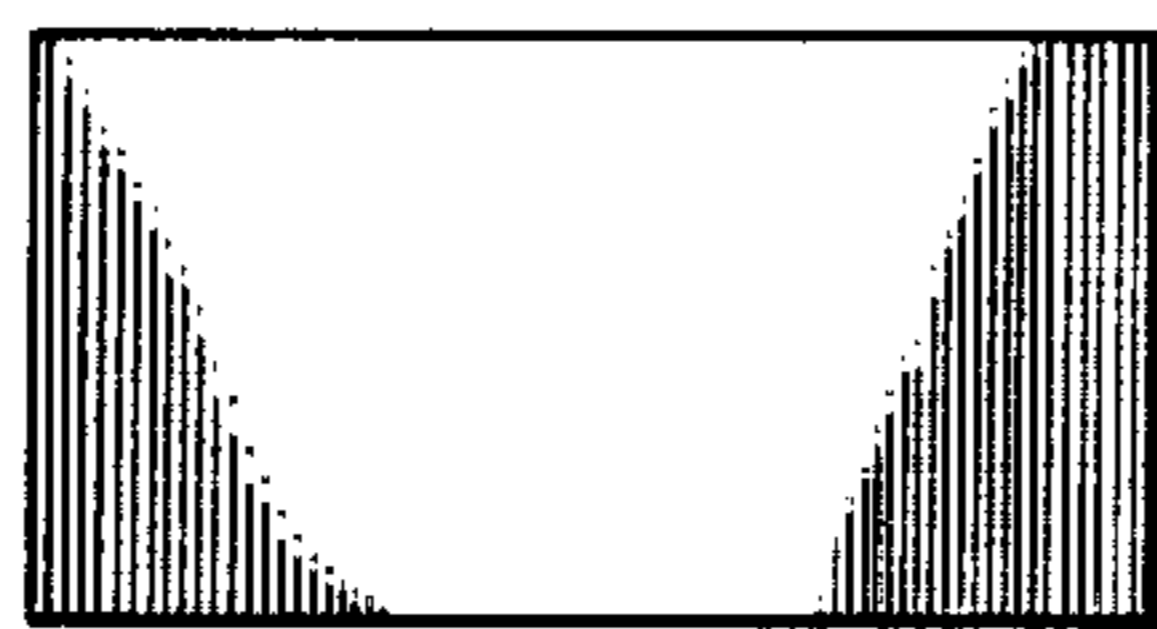


FIG.7

