

[54] BEVERAGE DISPENSER

4,304,341 12/1981 Shirley D7/307

[75] Inventors: Jason K. Sedam, Dunwood; Richard J. Mueller, Atlanta; Andrew J. Holoubek, Stone Mountain; Samuel C. Crosby, Decatur, all of Ga.

Primary Examiner—Melvin B. Feifer
Attorney, Agent, or Firm—Birch, Stewart, Kolasch & Birch

[73] Assignee: The Coca-Cola Company, Atlanta, Ga.

[57] CLAIM

The ornamental design for a beverage dispenser, as shown and described.

[**] Term: 14 Years

DESCRIPTION

[21] Appl. No.: 320,477

FIG. 1 is a front perspective view of the beverage dispenser showing our new design;

[22] Filed: Nov. 12, 1981

FIG. 2 is a right end elevational view of the beverage dispenser;

[52] U.S. Cl. D7/307

FIG. 3 is a left end elevational view of the beverage dispenser;

[58] Field of Search D7/307, 308, 300, 305, D7/306, 311, 312, 309; 62/390; 99/304

FIG. 4 is a rear elevational view of the beverage dispenser;

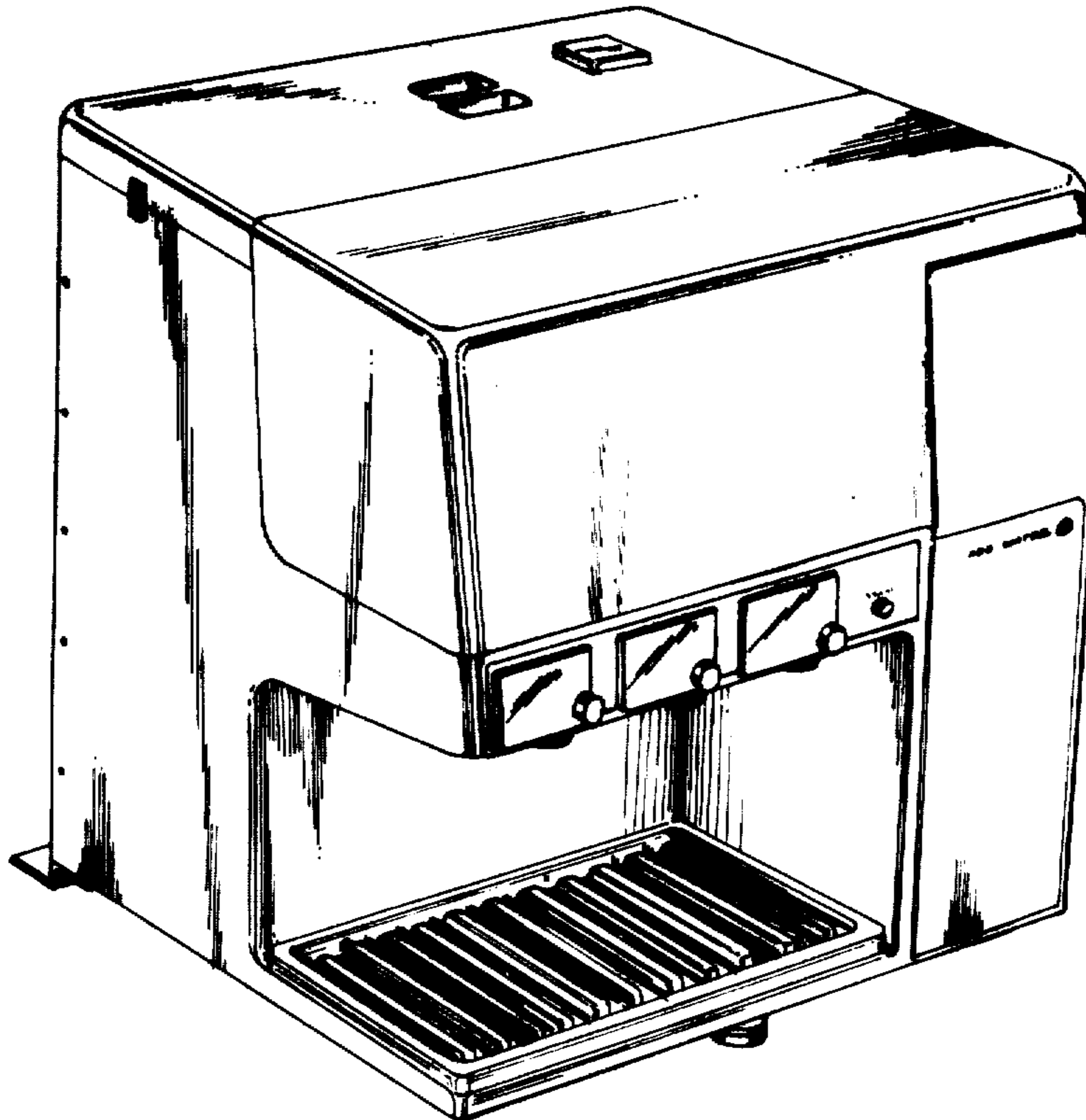
[56] References Cited

U.S. PATENT DOCUMENTS

- D. 208,287 8/1967 Tall D7/307
- D. 261,390 10/1981 Harvill D7/307
- 3,220,334 11/1965 Martin 99/304

FIG. 5 is a front elevational view of the beverage dispenser;

FIG. 6 is a top plan view of the beverage dispenser; and
FIG. 7 is a bottom plan view of the beverage dispenser.



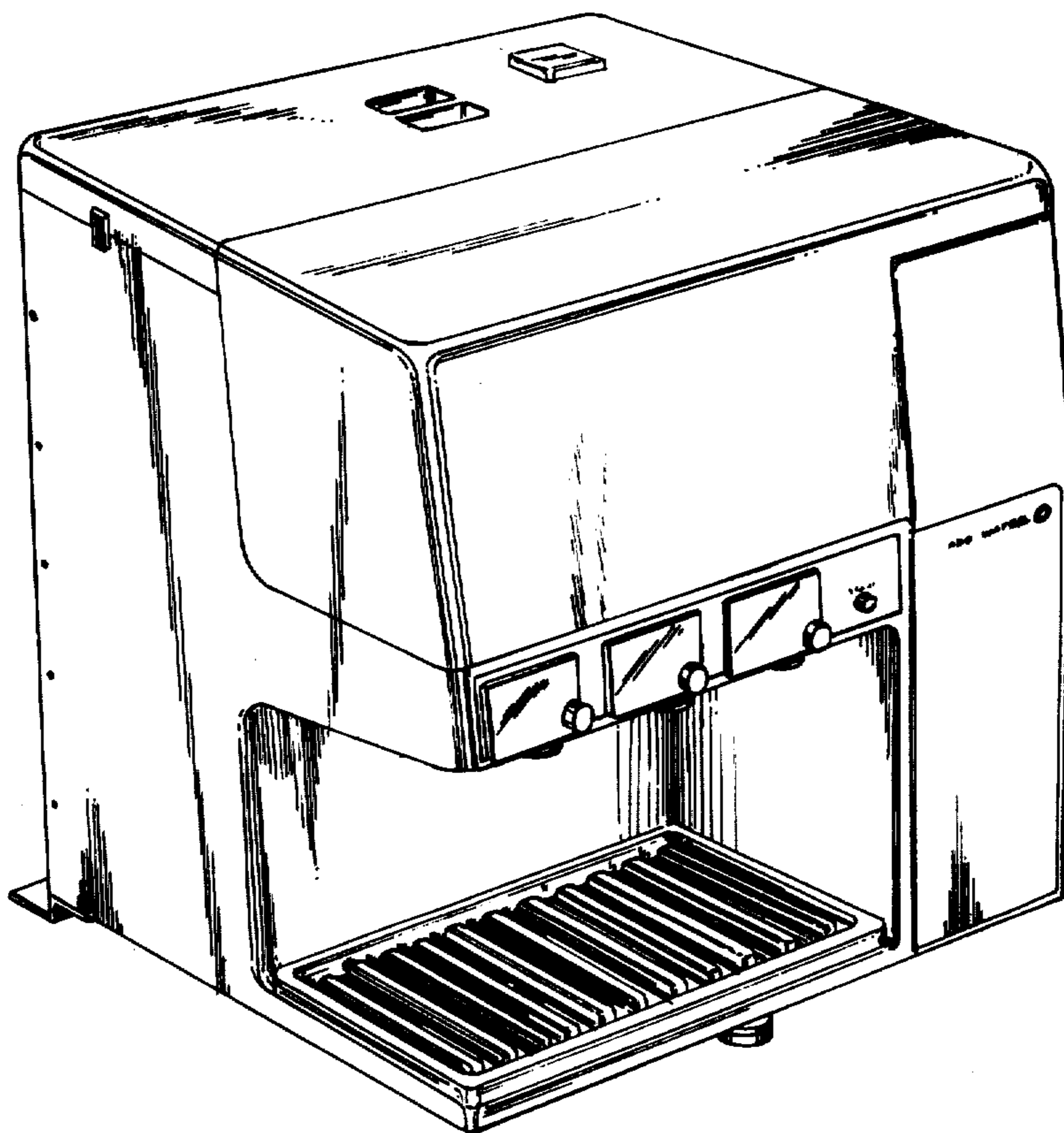


FIG. 1



FIG. 2

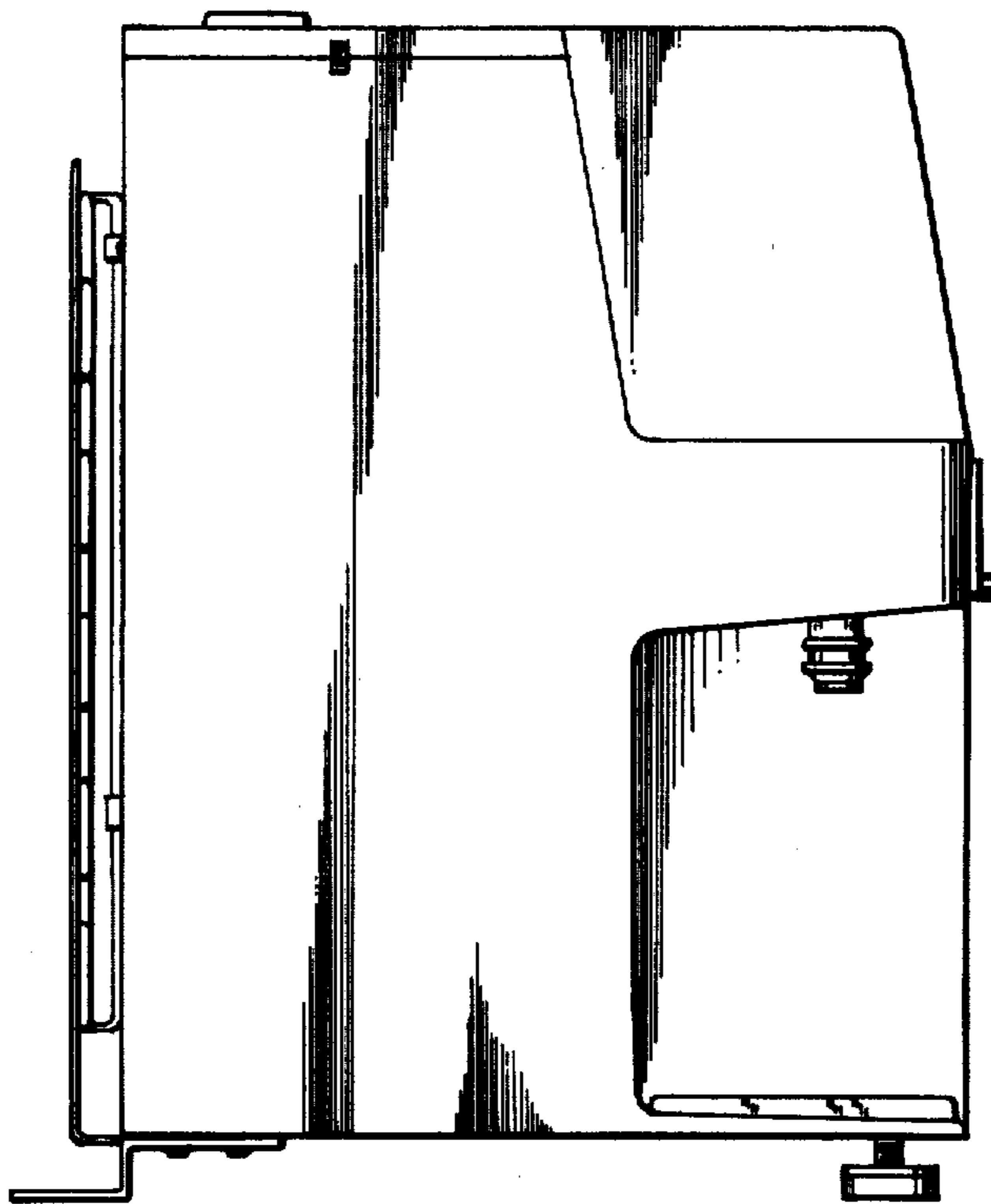


FIG. 3

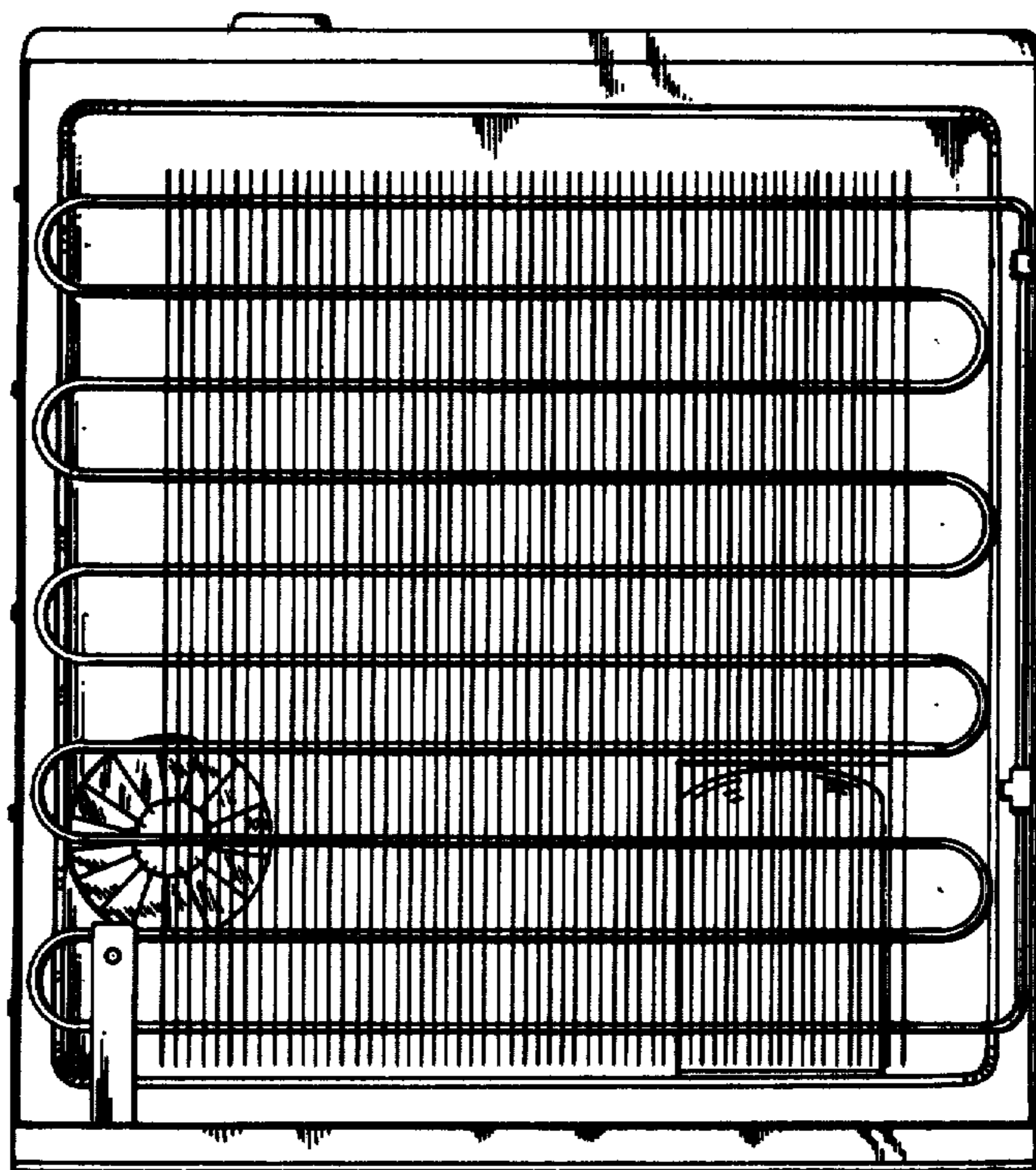


FIG. 4

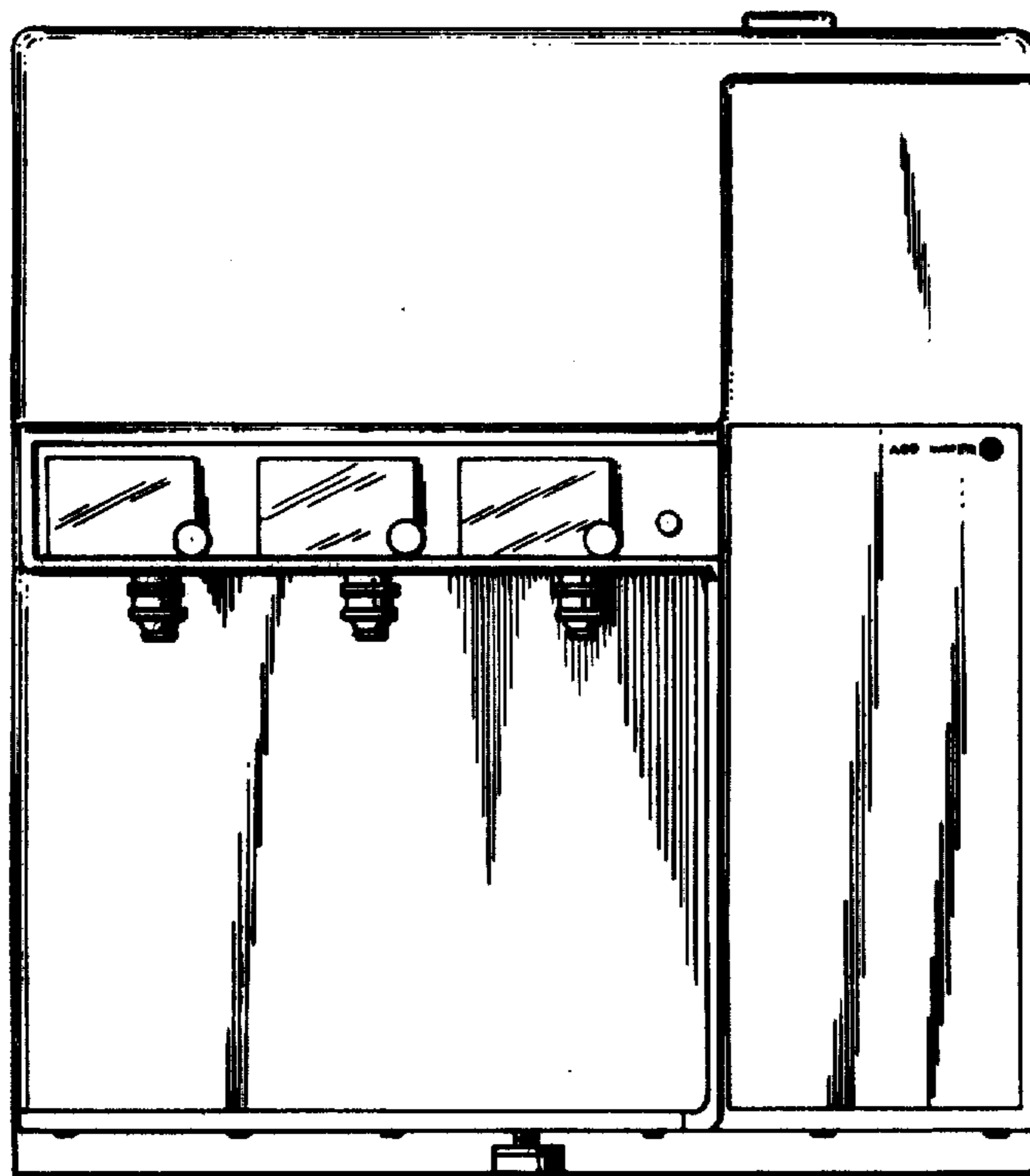


FIG. 5

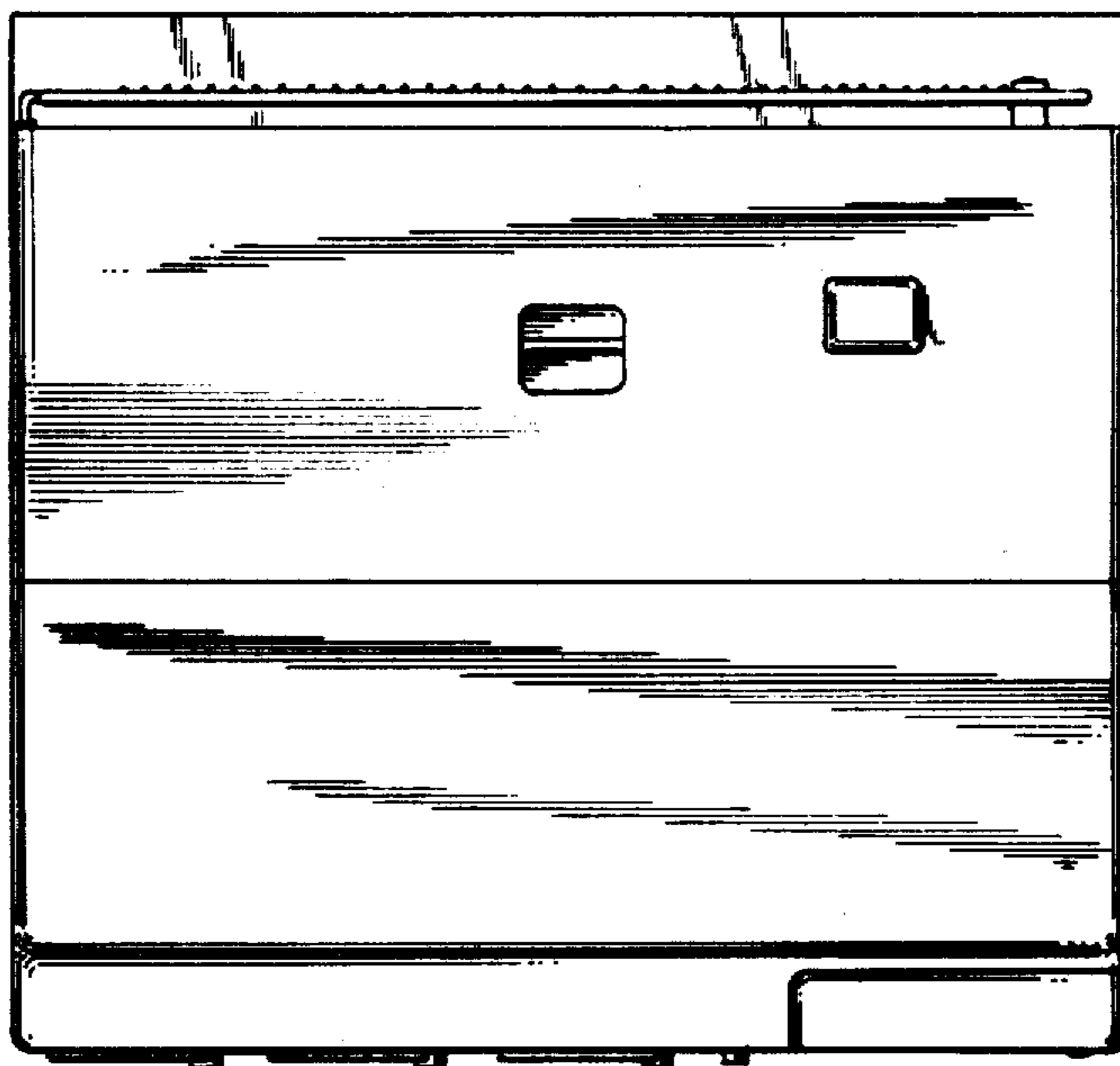


FIG. 6

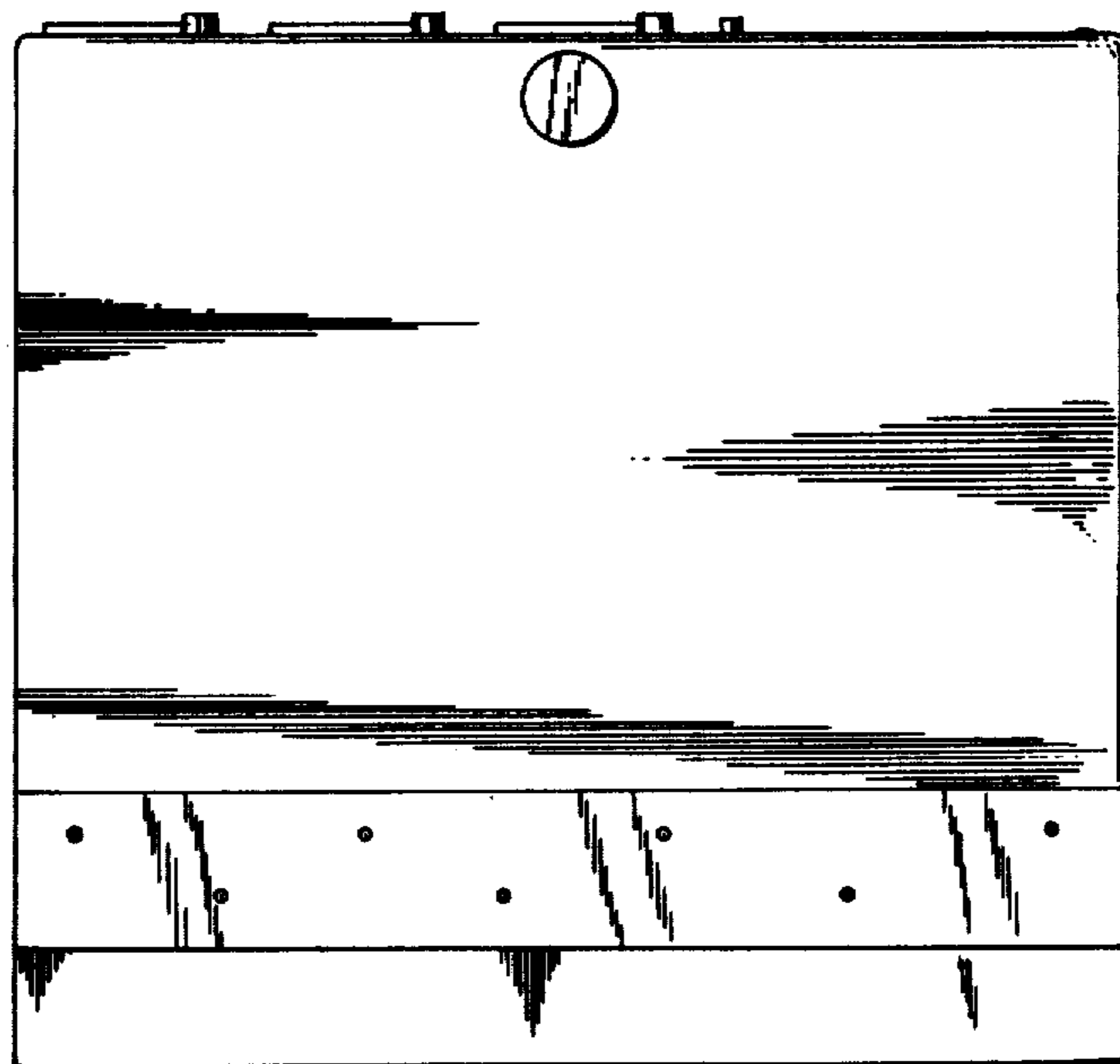


FIG. 7