

[54] TIE RACK

[76] Inventor: Wilber C. McEvers, 655 Avenue C., SW., Winter Haven, Fla. 33880

[**] Term: 14 Years

[21] Appl. No.: 303,540

[22] Filed: Sep. 18, 1981

[52] U.S. Cl. D6/117; D6/113

[58] Field of Search D6/114, 116, 117, 113; 211/87, 94, 105.3, 89, 13

[56] References Cited

U.S. PATENT DOCUMENTS

D. 261,338	10/1981	Miller	D6/117
1,981,510	11/1934	Jones	.	
2,985,311	5/1961	Abel	.	
3,124,253	3/1964	Petrich	211/94
3,335,872	8/1967	Dodich	211/94
3,389,807	6/1968	Manning et al.	.	
3,897,122	7/1975	McEvers	211/13

3,954,182 5/1976 McEvers .

Primary Examiner—B. J. Bullock
Attorney, Agent, or Firm—King and Liles

[57] CLAIM

The ornamental design for a tie rack, as shown and described.

DESCRIPTION

FIG. 1 is a side view of a tie rack showing my new design, the portion of a rod being shown in broken lines for illustrative purposes only;

FIG. 2 is a side view of the side opposite that shown in FIG. 1, again the portion of a rod being shown in broken lines for illustrative purposes only;

FIG. 3 is a top view thereof;

FIG. 4 is a bottom view thereof;

FIG. 5 is a front view thereof;

FIG. 6 is a rear view thereof;

FIG. 7 is a perspective view thereof, in the extended position.

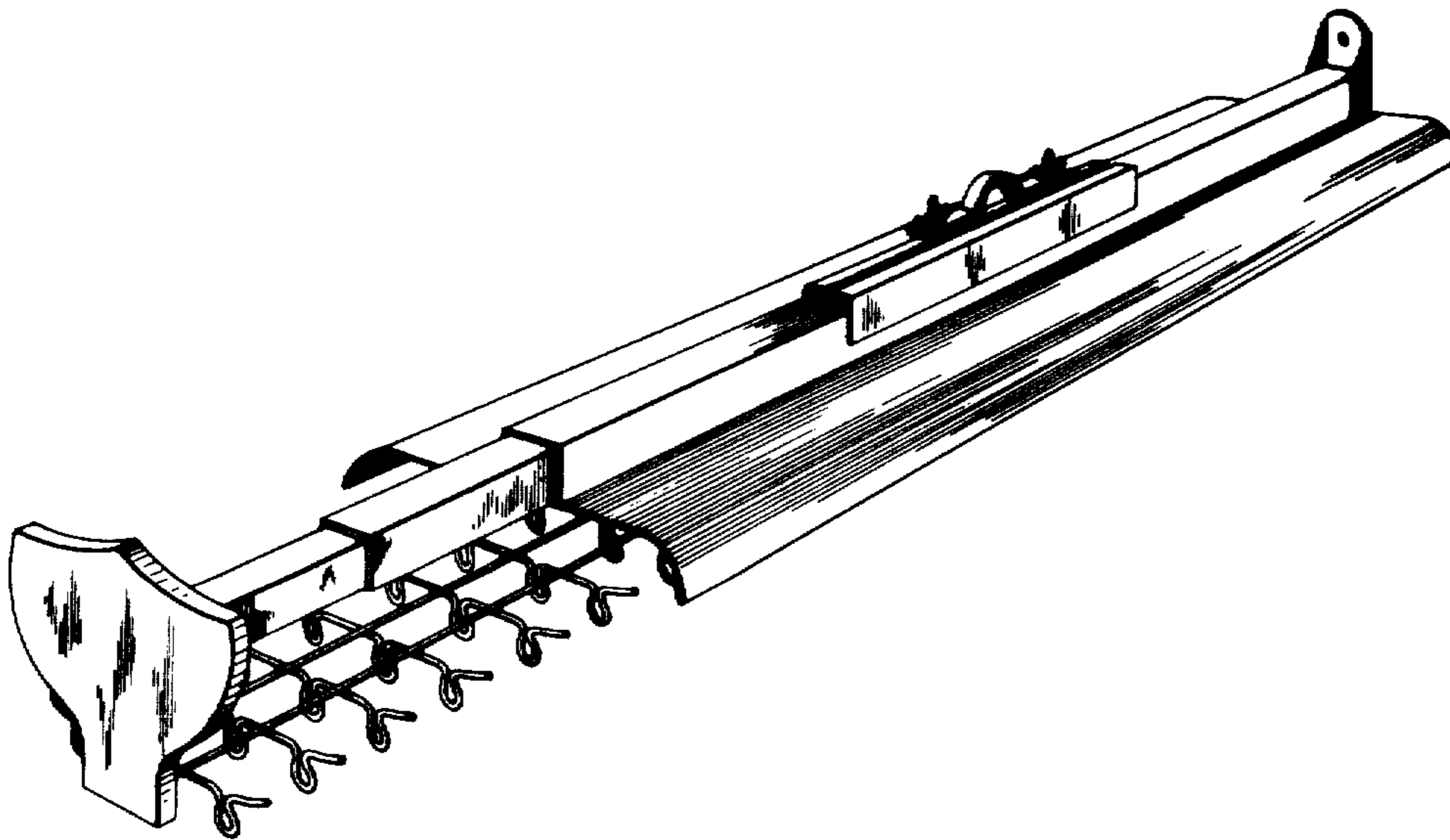


Fig. 1

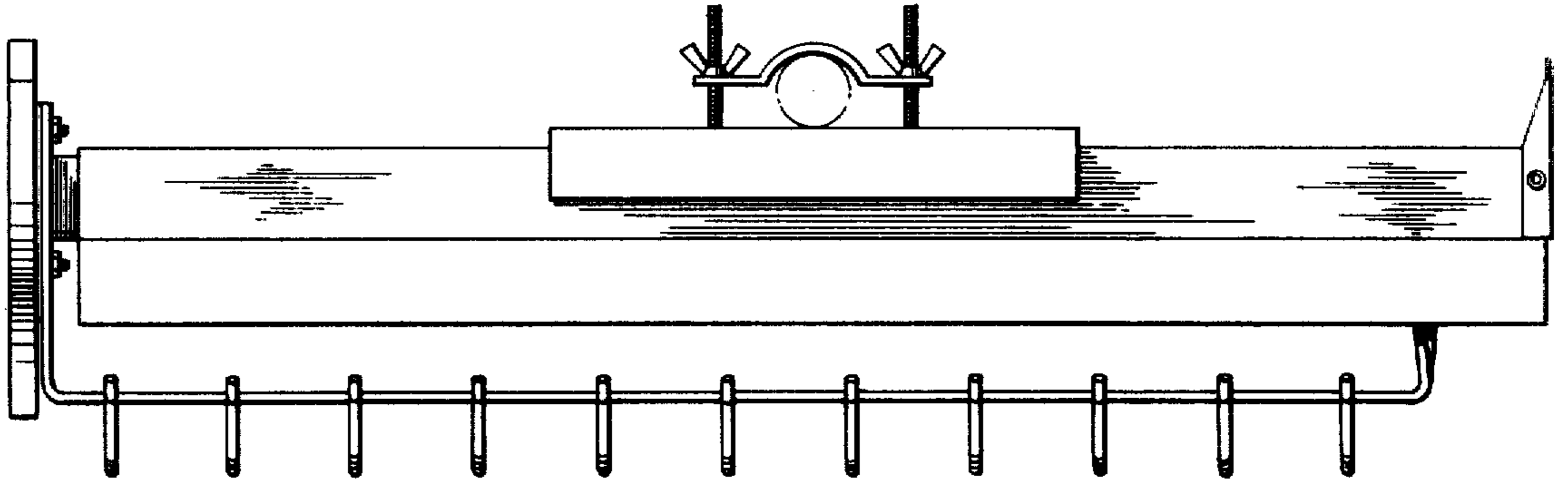


Fig. 2

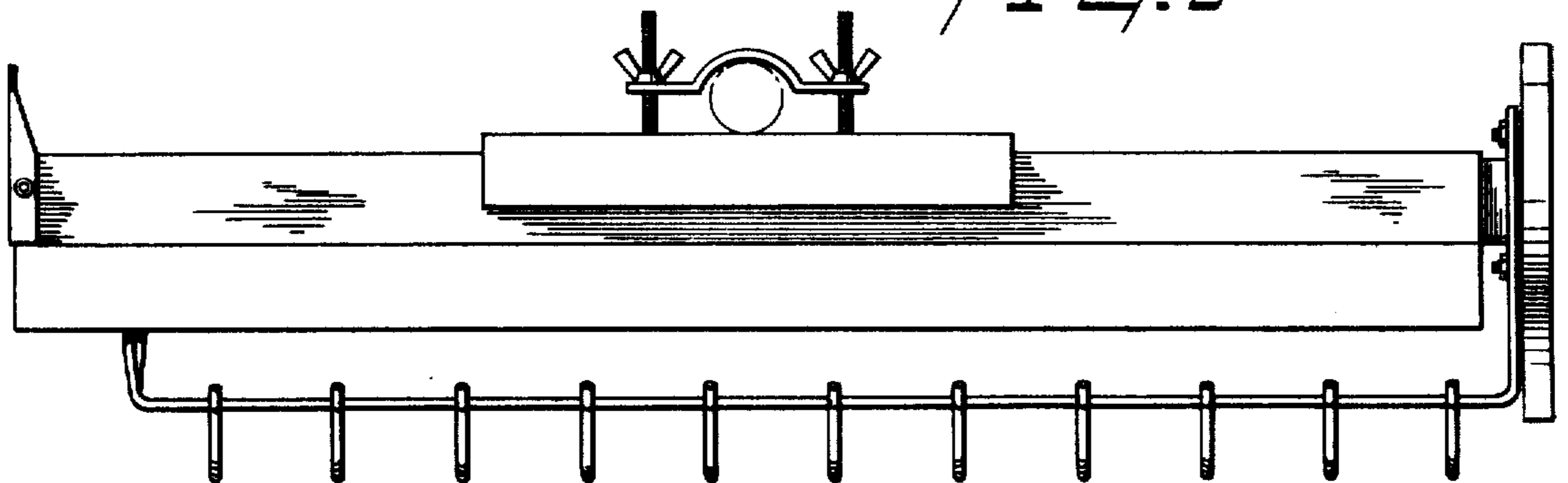


Fig. 3

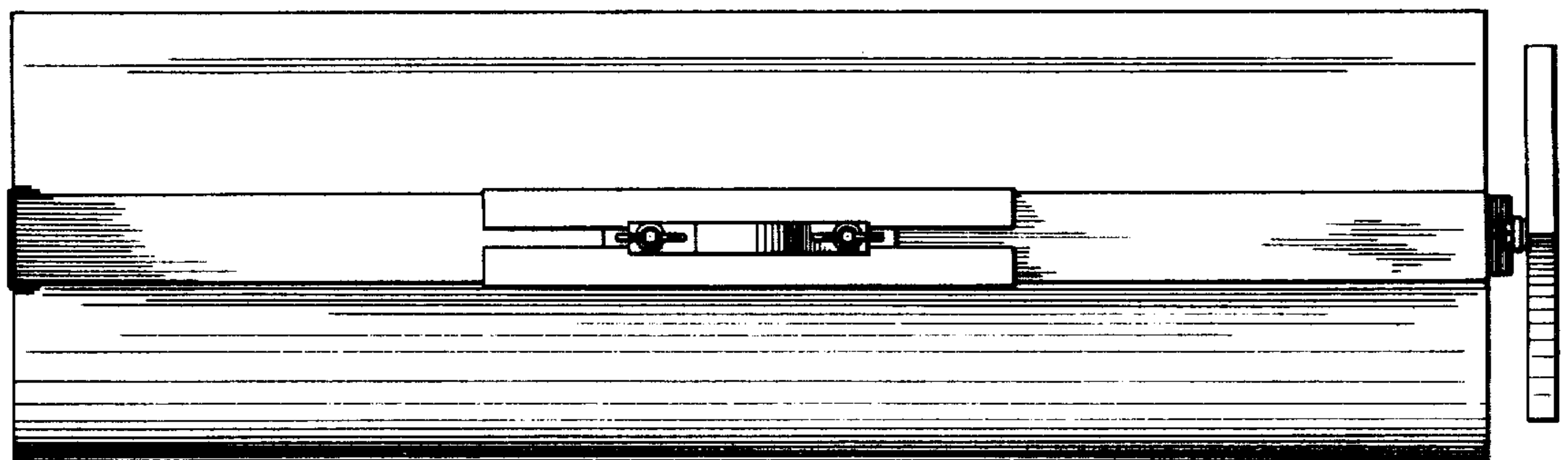


Fig. 4

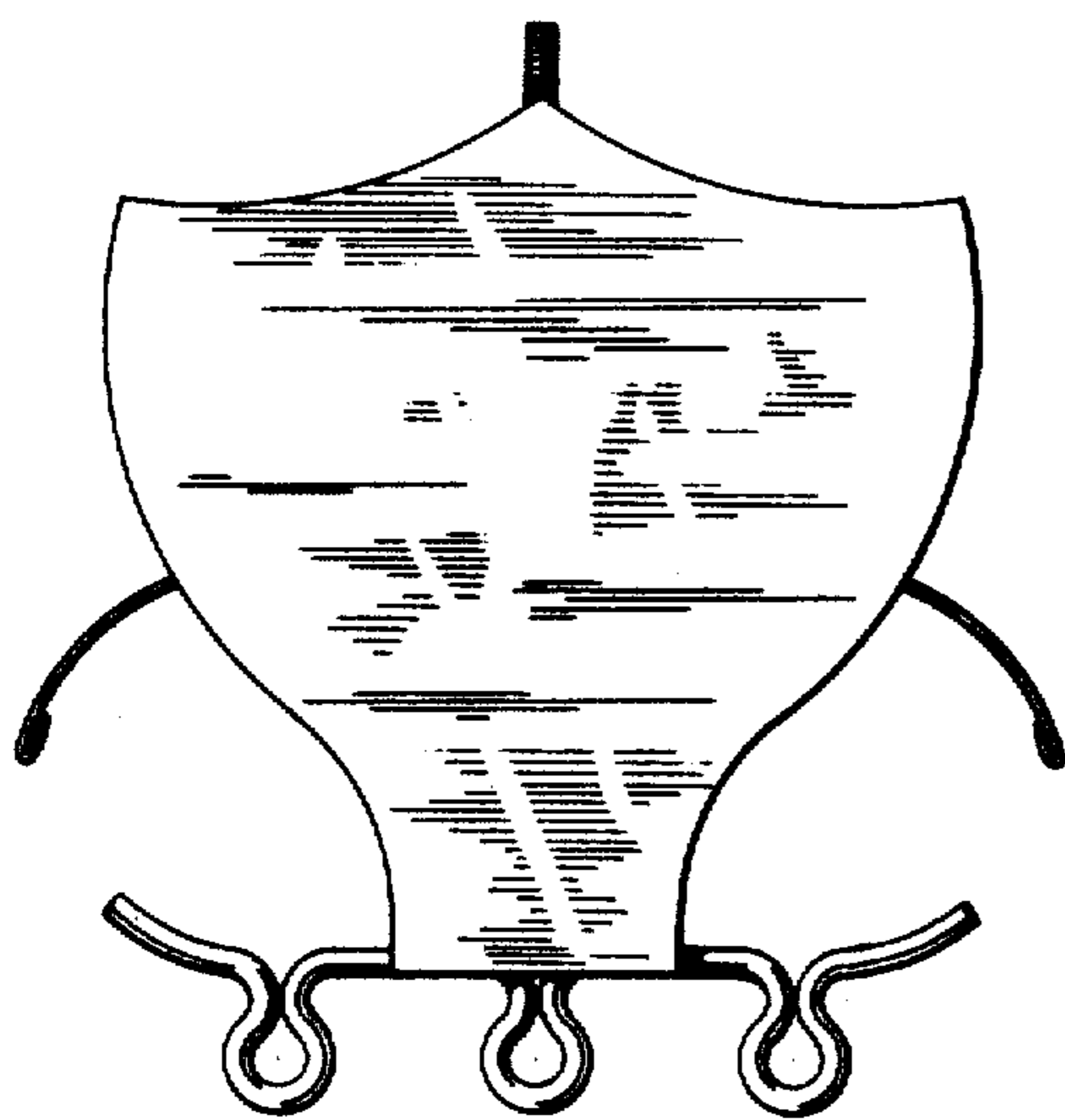
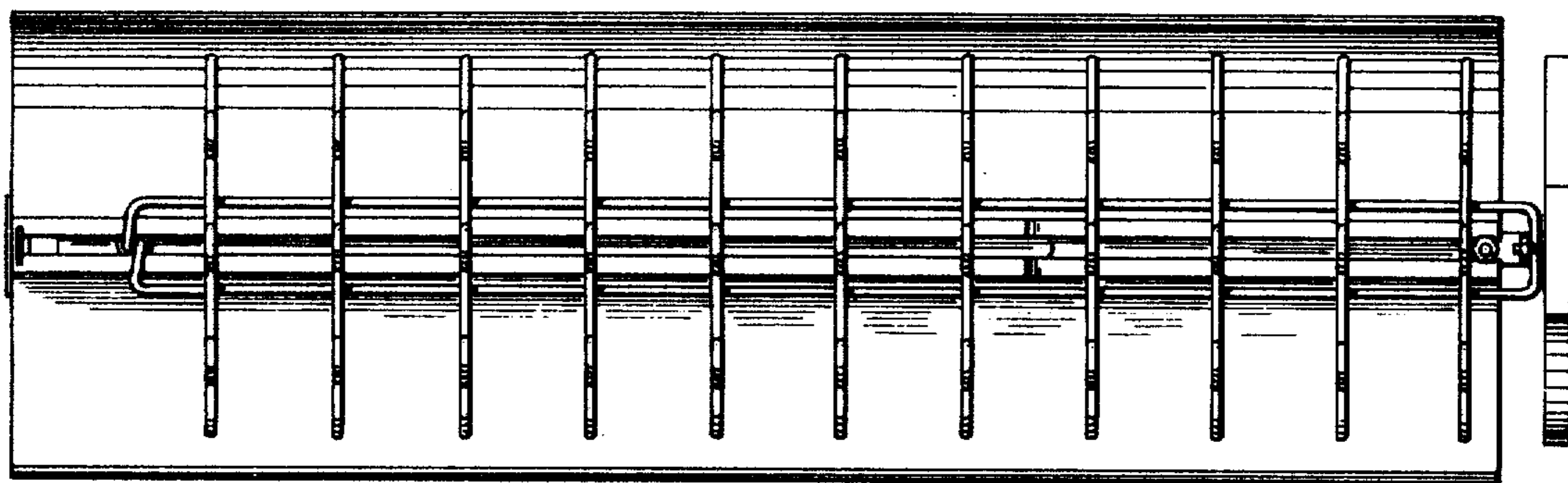
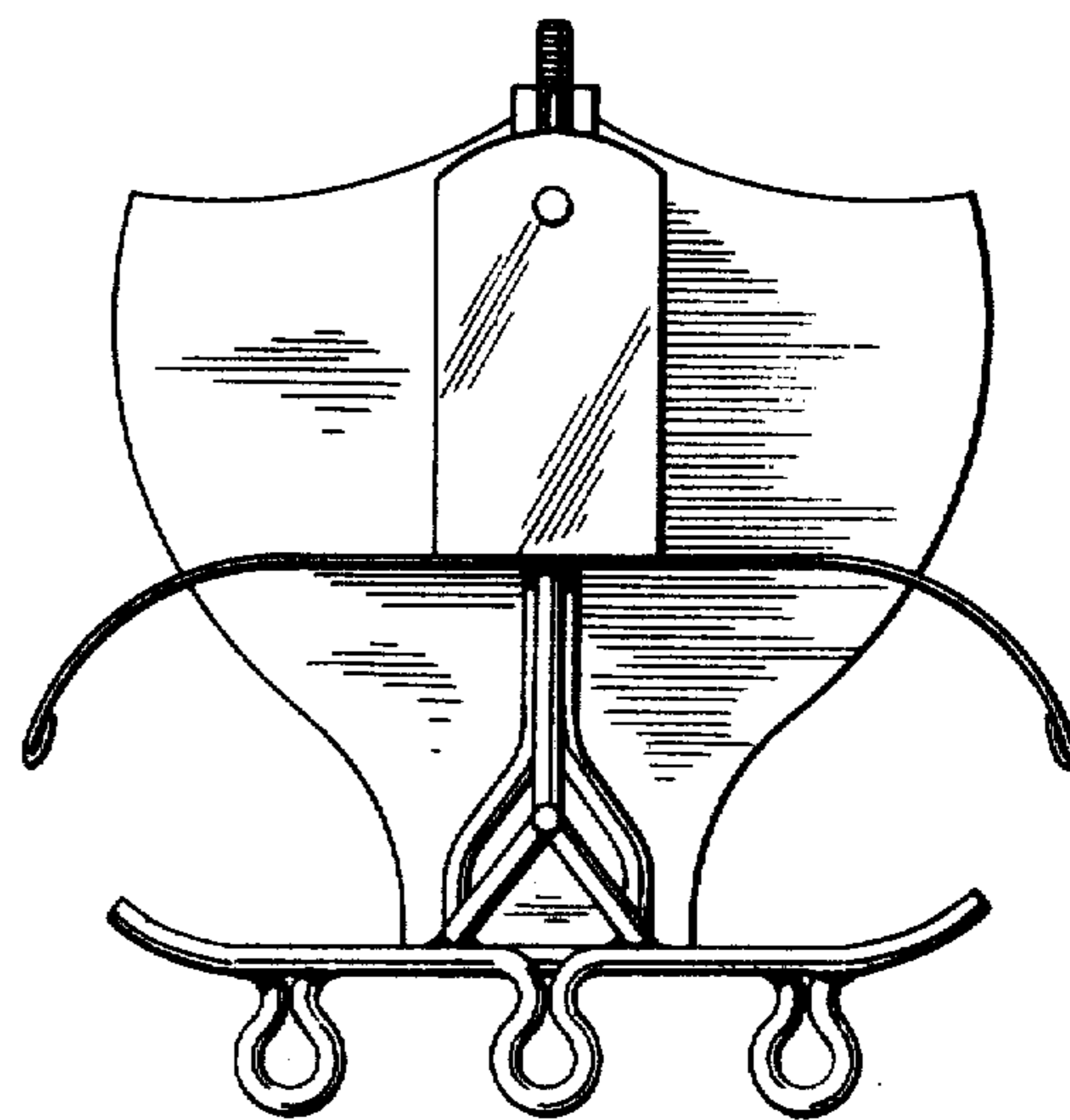


Fig. 5

Fig. 6



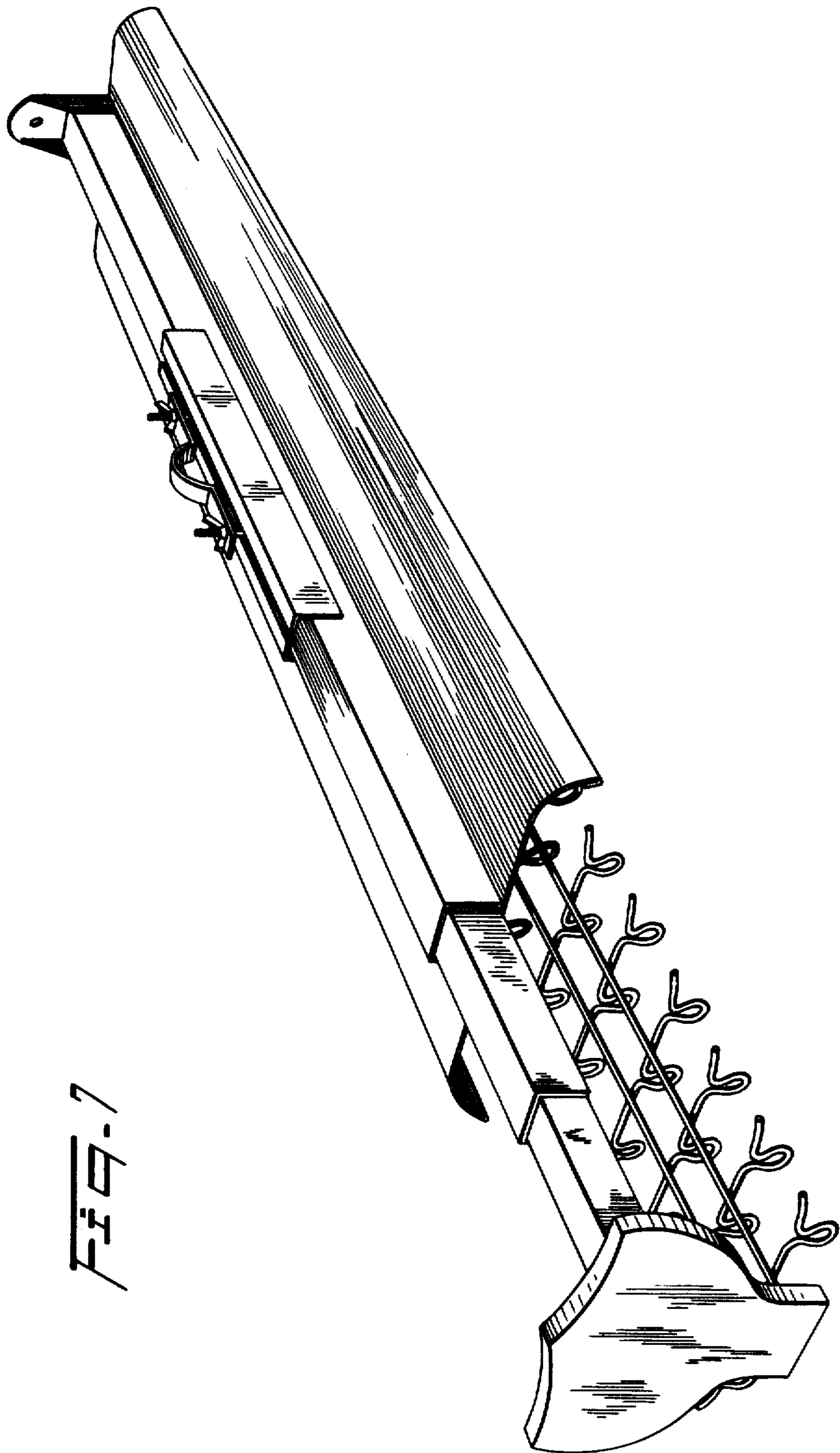


FIG. 7