

[54] FOIL DISPENSER

[76] Inventors: Ann M. Colavito; Alphonse Galizia, both of 11 La Fond La., Orinda, Calif. 94563

[**] Term: 14 Years

[21] Appl. No.: 288,670

[22] Filed: Jul. 30, 1981

[52] U.S. Cl. D6/96

[58] Field of Search D6/96, 97, 98, 114, D6/132, 136; 242/55.2, 55.53, 55.3, 55.42, 55.54, 56 R, 56 B; 312/38, 39

[56] References Cited

U.S. PATENT DOCUMENTS

- D. 266,718 11/1982 Peabody et al. D6/96
- 813,128 2/1906 Williams 242/55.2
- 3,516,615 6/1970 Wickenberg 242/55.2

FOREIGN PATENT DOCUMENTS

587290 4/1947 United Kingdom 211/88

Primary Examiner—Wallace R. Burke
Assistant Examiner—Suzanne N. Gitlin
Attorney, Agent, or Firm—James G. O'Neill

[57] CLAIM

The ornamental design for a foil dispenser, as shown.

DESCRIPTION

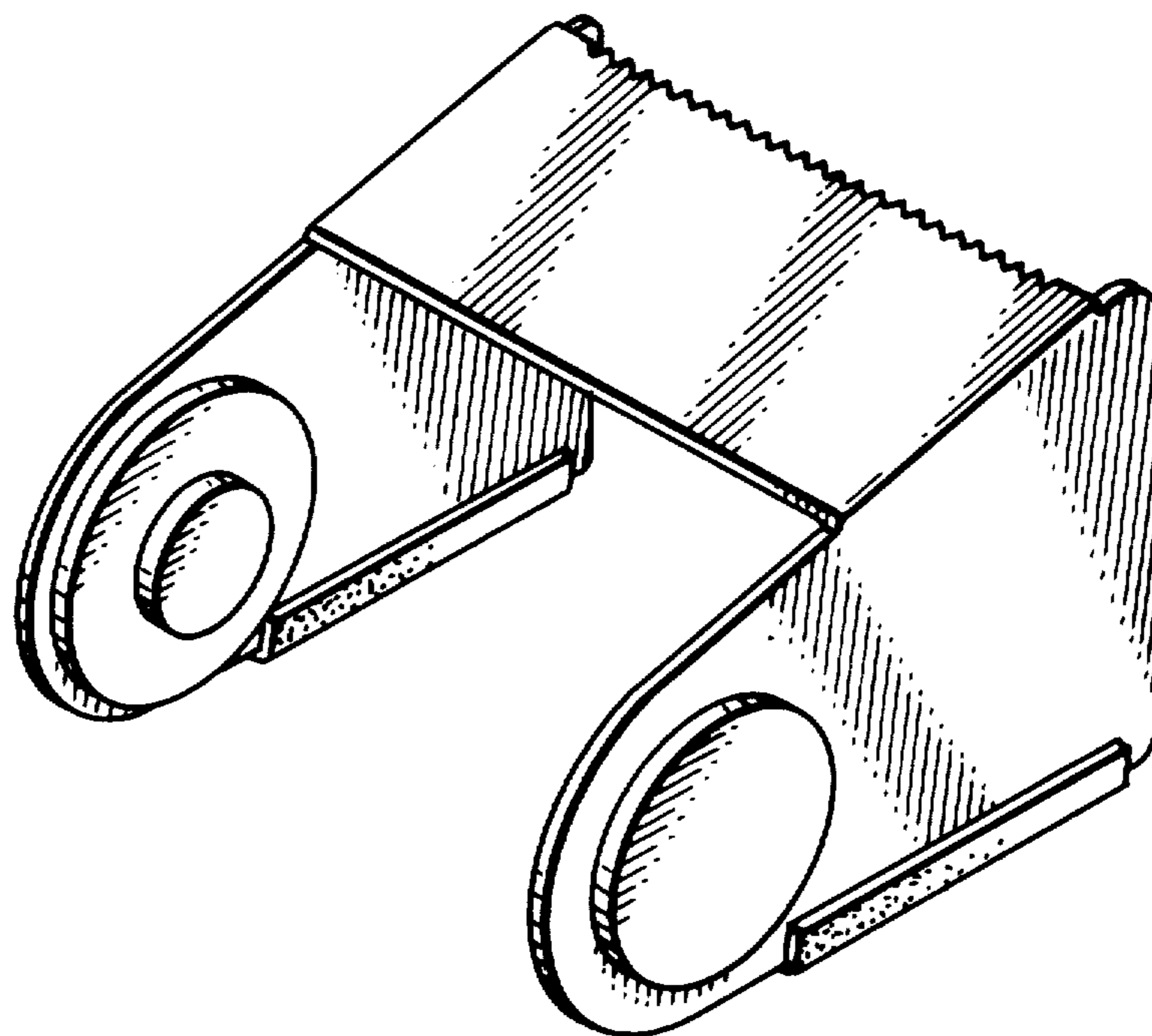
FIG. 1 is a perspective view of a foil dispenser, showing our new design;

FIG. 2 is a perspective view similar to FIG. 1 with a roll of foil shown in broken lines for illustrative purposes only;

FIG. 3 is a top plan view thereof;

FIG. 4 is a side elevational view thereof; and

FIG. 5 is a front elevational view thereof.



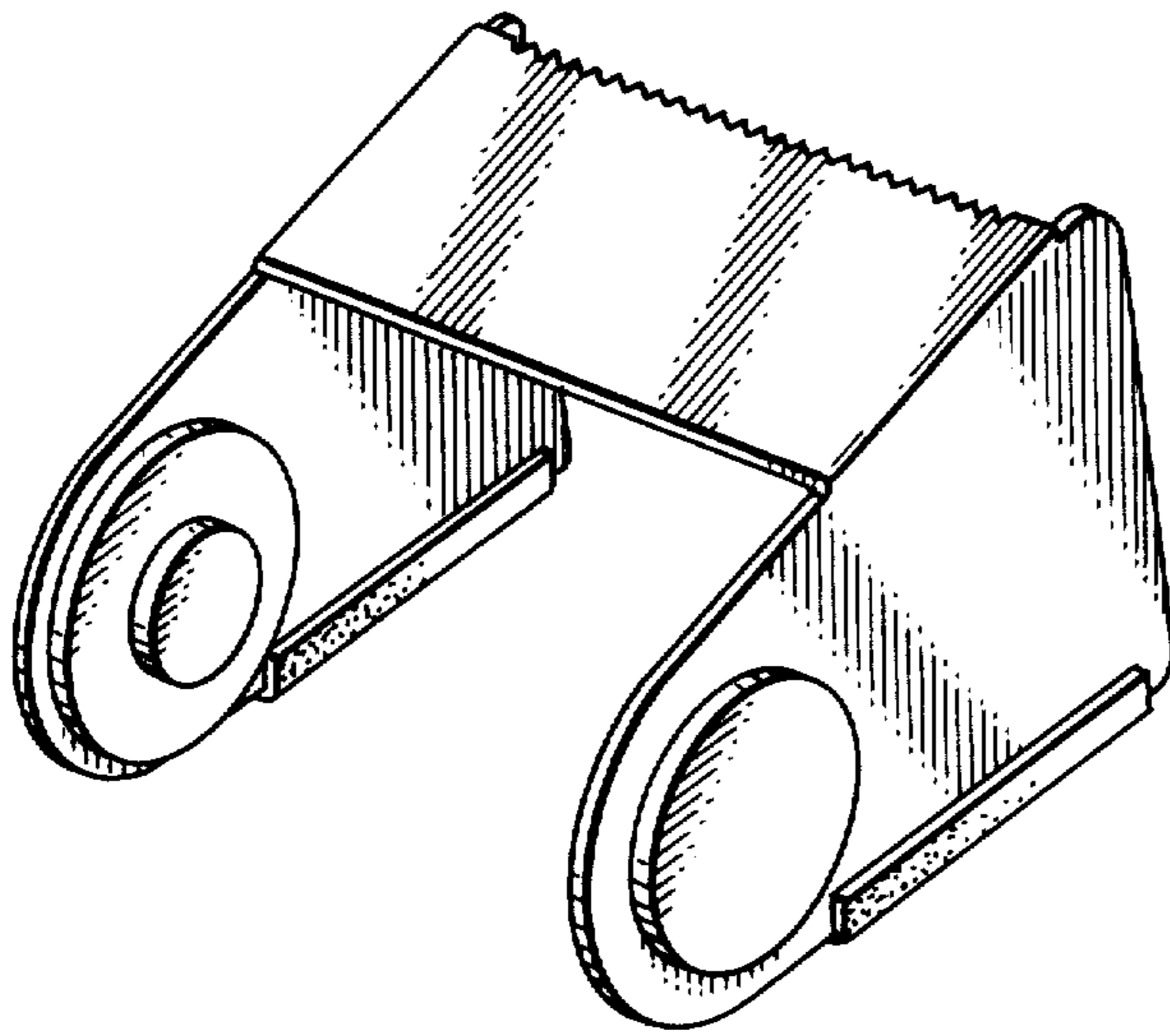


FIG. 1.

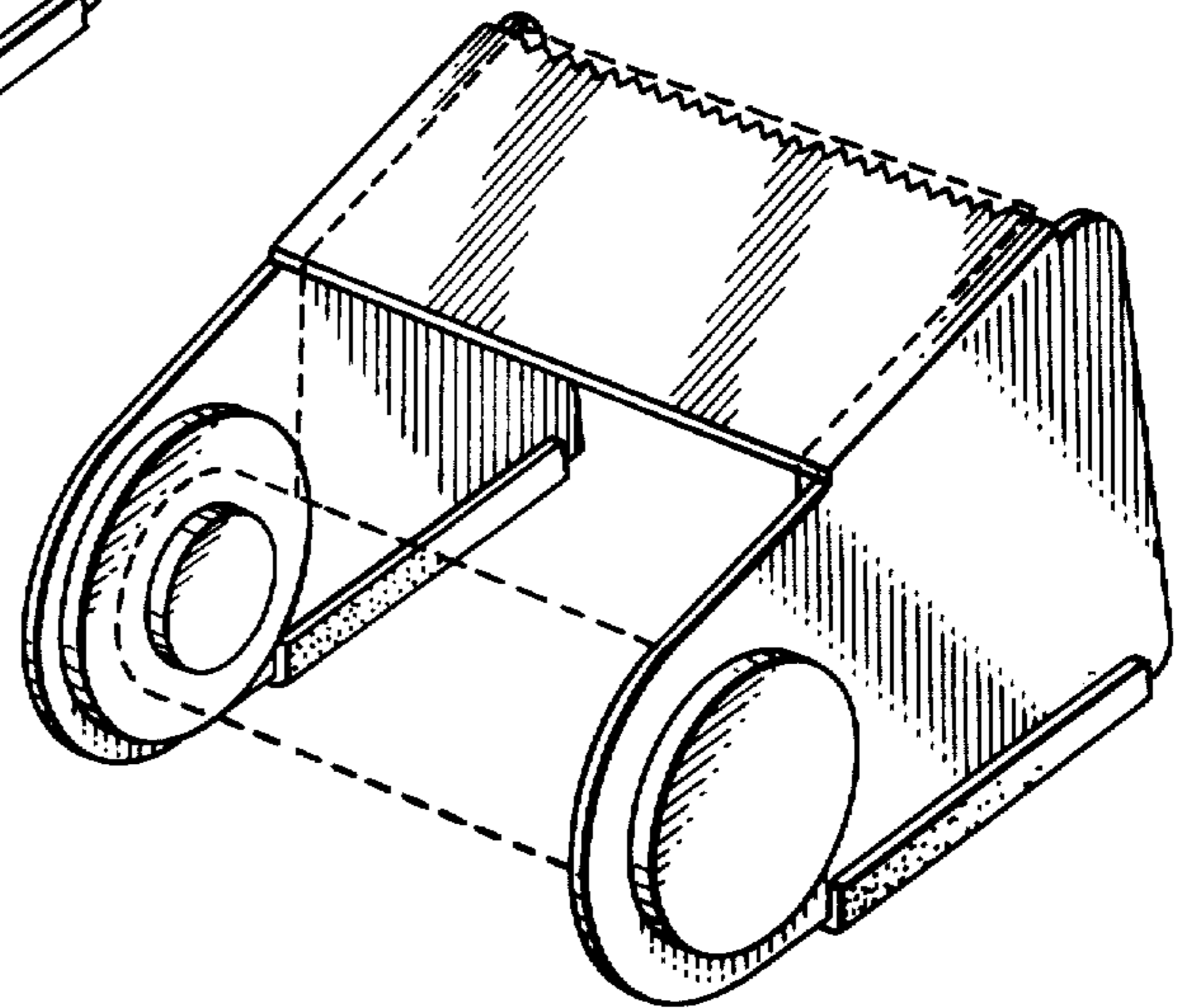


FIG. 2.

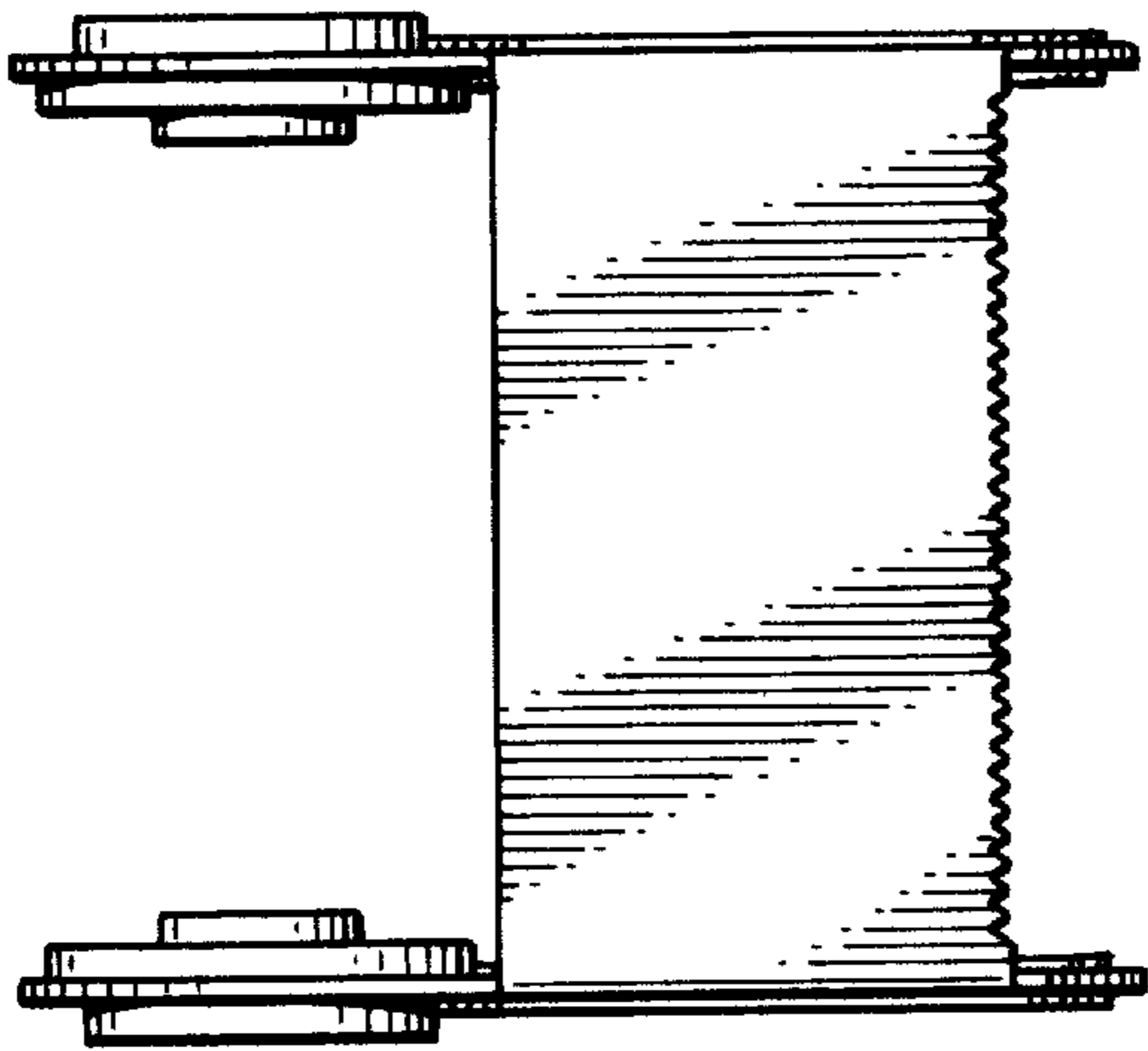


FIG. 3.

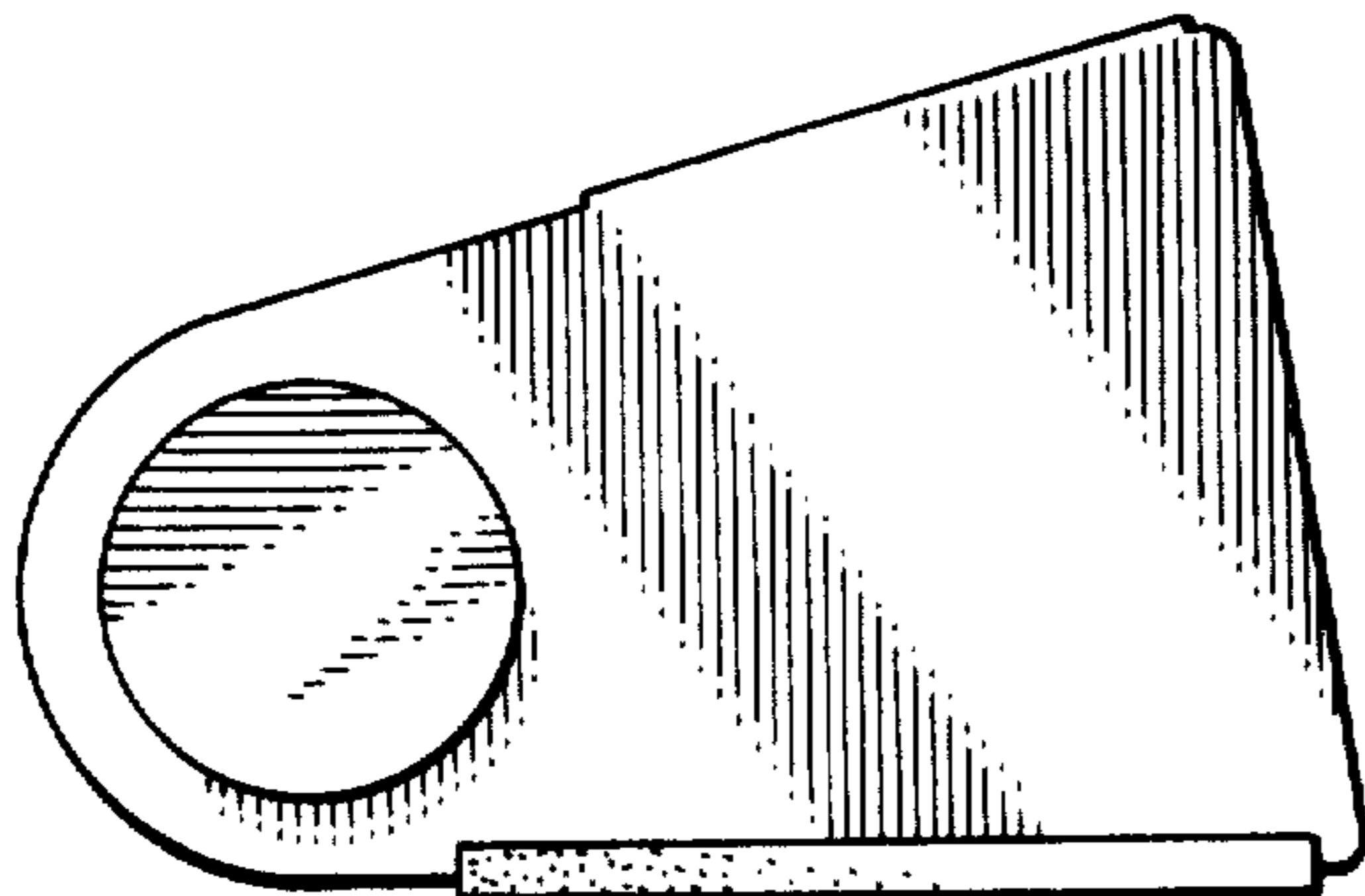


FIG. 4.

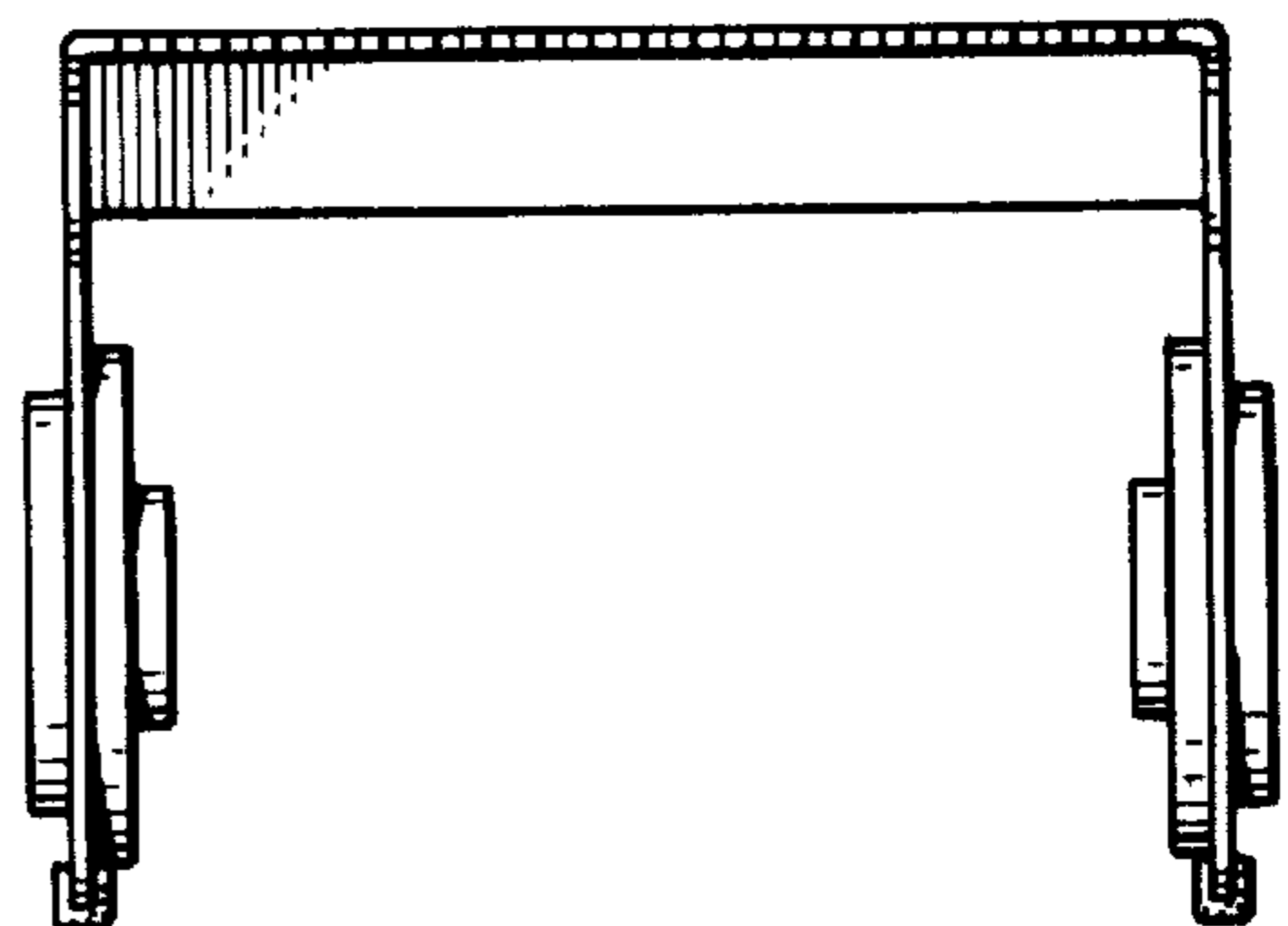


FIG. 5.