

[54] **CLOSED ARM CHAIR**  
[76] **Inventor:** Donald C. Petitt, 207 W. 86th St.,  
New York, N.Y. 10024  
[\*\*] **Term:** 14 Years  
[21] **Appl. No.:** 320,039  
[22] **Filed:** Nov. 10, 1981  
[52] **U.S. Cl.** ..... D6/31  
[58] **Field of Search** ..... D6/20-26,  
D6/30, 31, 47, 67-73

D. 236,302 8/1975 Prizlow ..... D6/31  
D. 249,203 9/1978 Gill ..... D6/31  
D. 260,056 8/1981 Sapper ..... D6/72 X  
3,907,363 9/1975 Baker et al. .... D6/31 X

**OTHER PUBLICATIONS**

Interiors, Mar. 1979, p. 46, Chair lower left by Thonet.  
*Primary Examiner*—Bruce W. Dunkins

[57] **CLAIM**

The ornamental design for a closed arm chair, as shown.

**DESCRIPTION**

FIG. 1 is a perspective view of the arm chair of the present invention;  
FIG. 2 is a front view thereof;  
FIG. 3 is a side view thereof; and  
FIG. 4 is a rear view thereof.

[56] **References Cited**  
**U.S. PATENT DOCUMENTS**  
D. 231,286 4/1974 Dittert ..... D6/31  
D. 233,712 11/1974 Koepke ..... D6/31

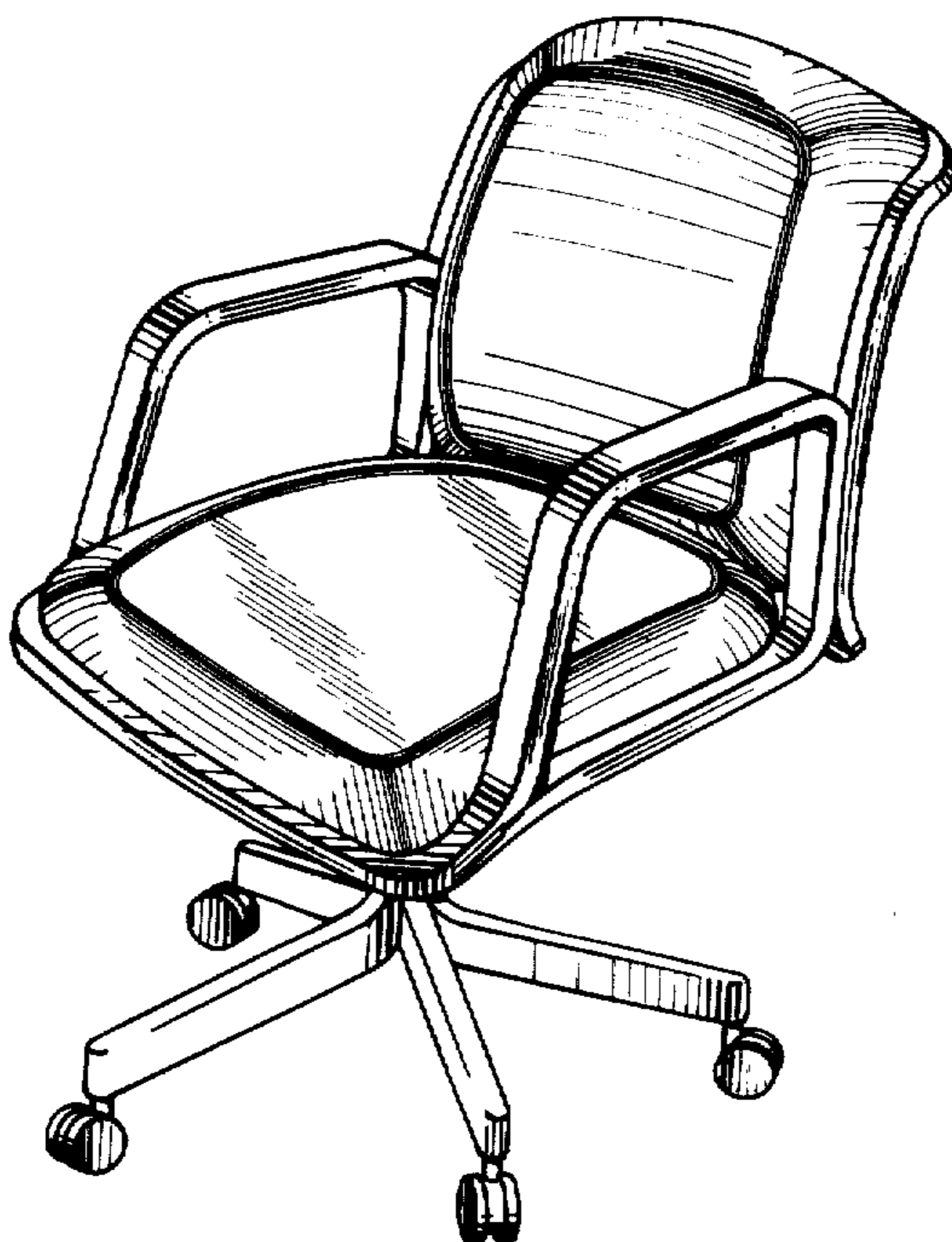


Fig. 2.

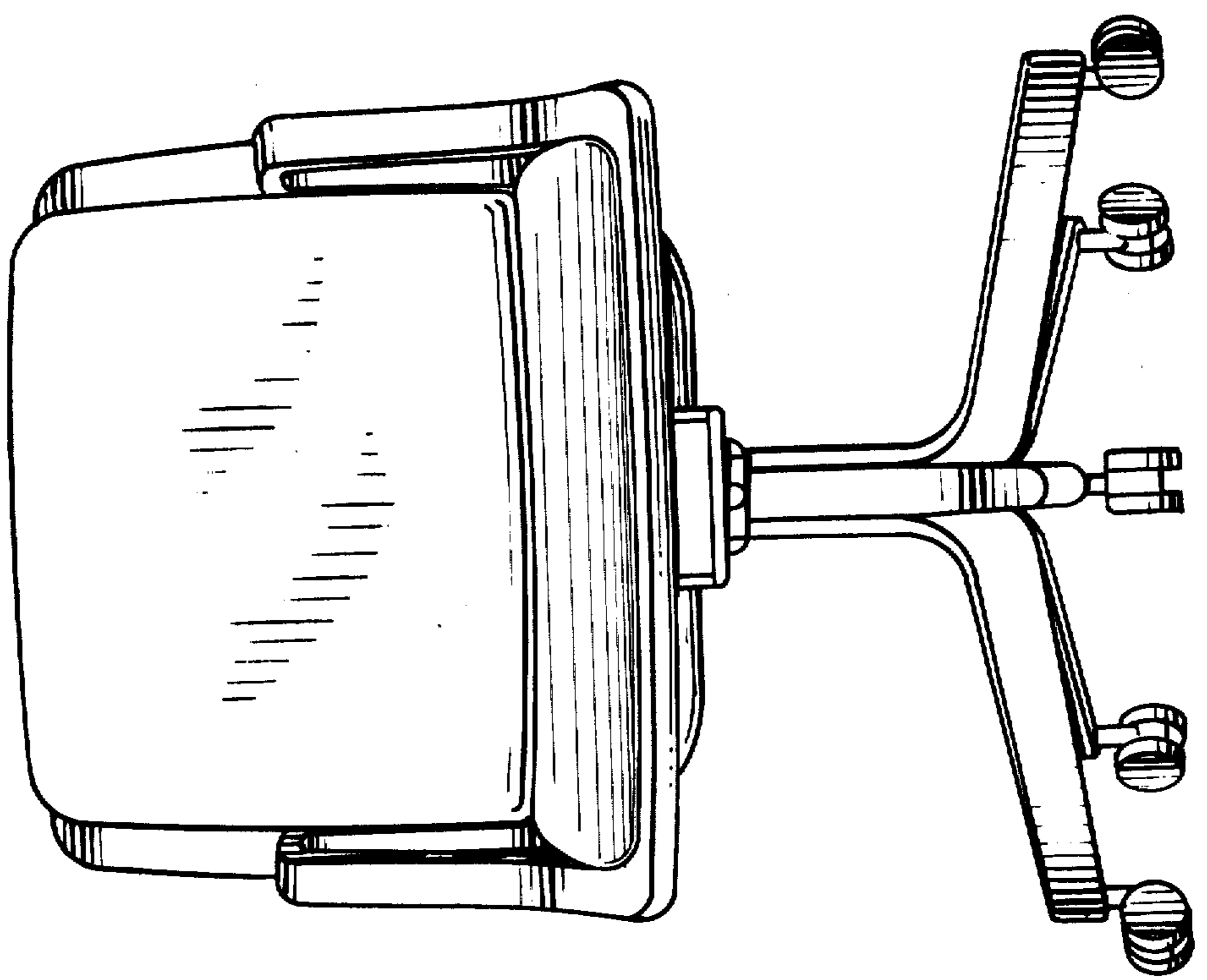


Fig. 1.

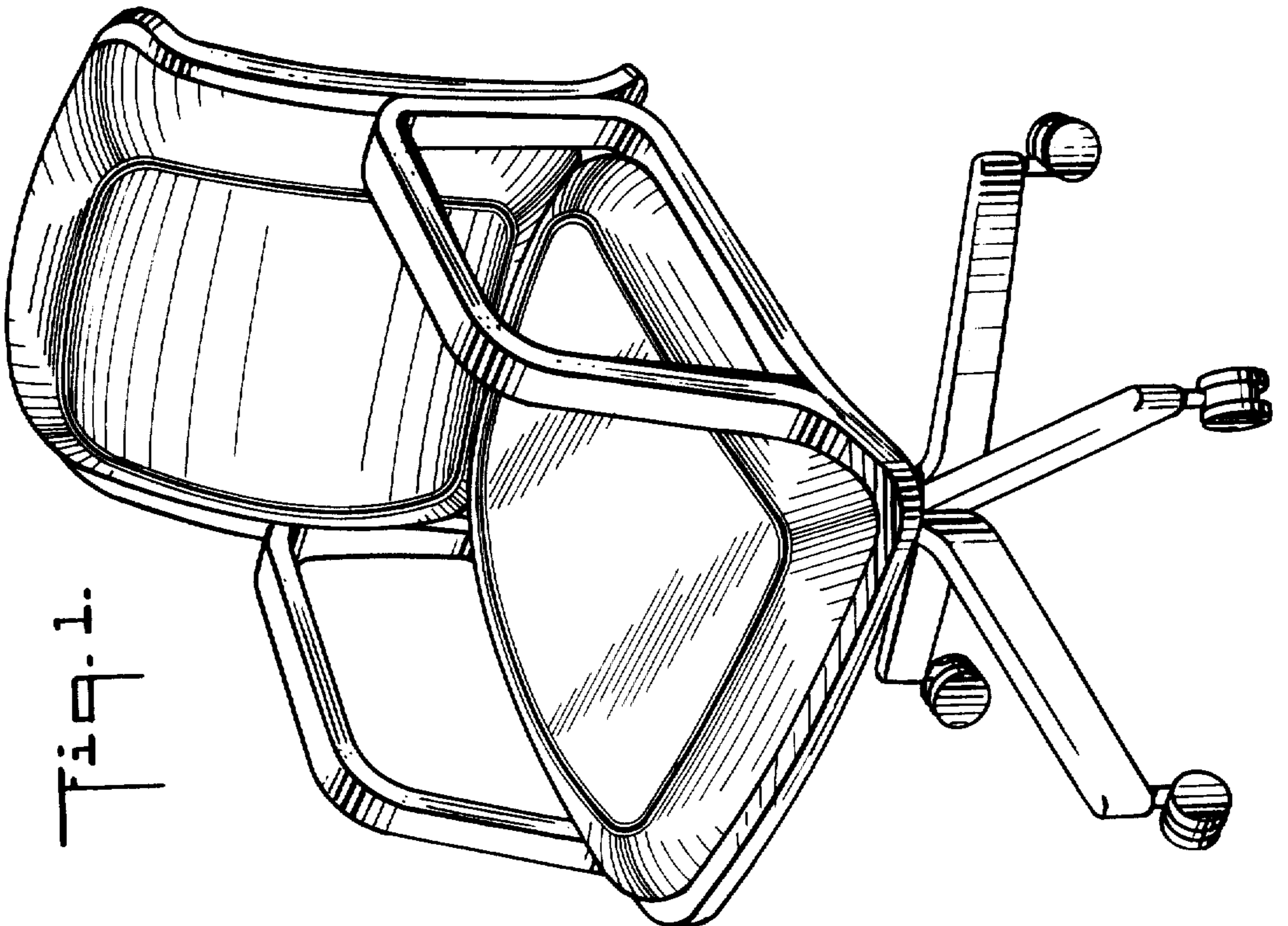


Fig. 4.

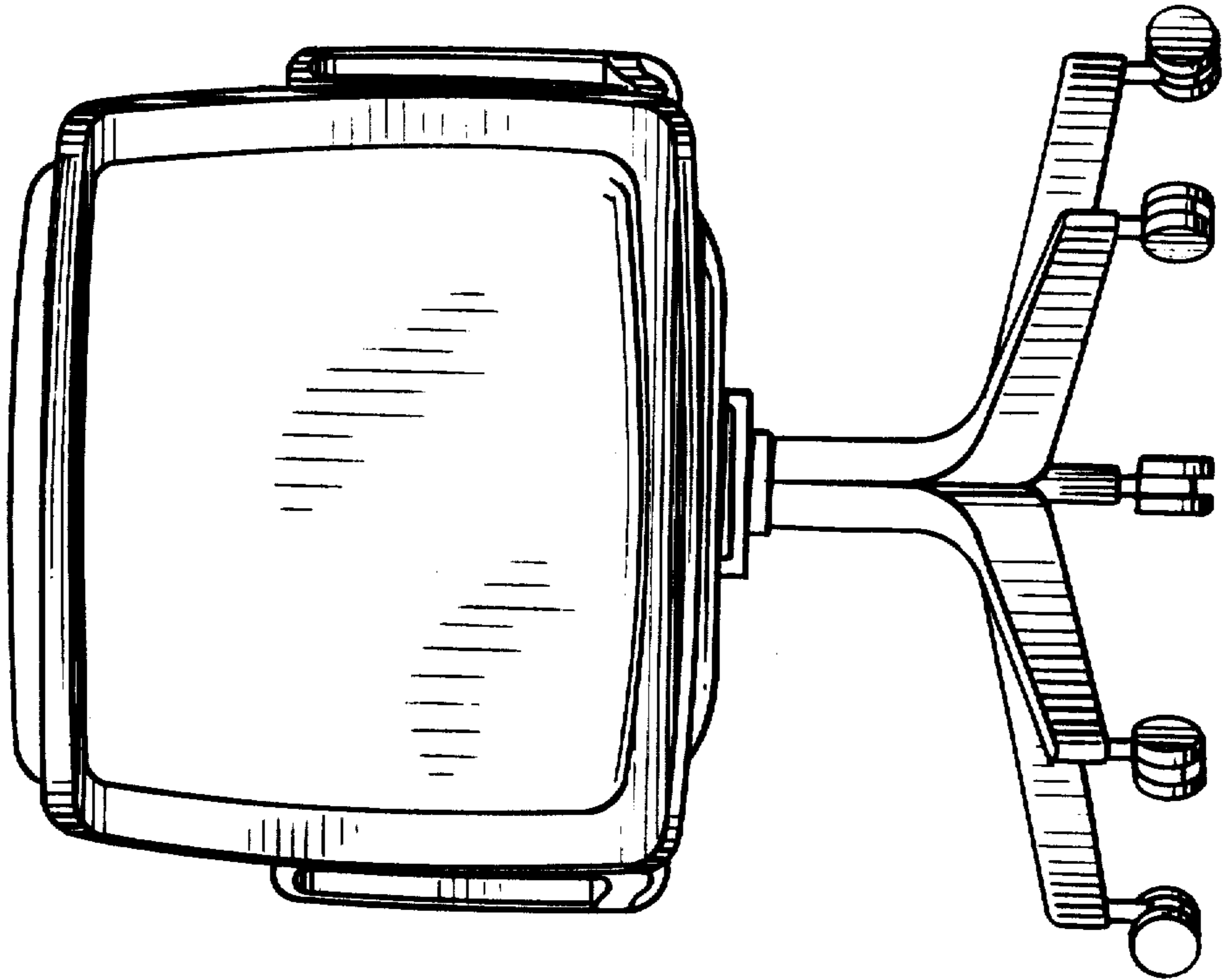


Fig. 3.

