

[54] TABLE

[75] Inventor: Bruce Keiser, Philadelphia, Pa.

[73] Assignee: Keiser Sterling Corporation, Philadelphia, Pa.

[**] Term: 14 Years

[21] Appl. No.: 346,820

[22] Filed: Feb. 8, 1982

[52] U.S. Cl. D6/27; D6/146; D6/175

[58] Field of Search D6/20, 23, 24, 25, 26, D6/27, 146-149, 175, 177-179

[56] References Cited

U.S. PATENT DOCUMENTS

- D. 158,891 6/1950 Murphy et al. D6/27
- D. 233,108 10/1974 Rosen D6/27 X
- D. 242,413 11/1976 Olson D6/20 X
- D. 252,899 9/1979 Campbell D6/27

OTHER PUBLICATIONS

Interiors Feb. 1980, p. 11, Table right center by Stendig.

Primary Examiner—Bruce W. Dunkins
Attorney, Agent, or Firm—Seidel, Gonda & Goldhammer

[57] CLAIM

The ornamental design for a table, substantially as shown and described.

DESCRIPTION

FIG. 1 is a front perspective view of a table showing my new design;

FIG. 2 is a front elevation view thereof;

FIG. 3 is a rear elevation view thereof;

FIG. 4 is a right side view thereof;

FIG. 5 is a top plan view thereof;

FIG. 6 is a bottom plan view thereof;

FIG. 7 is a front perspective view of another embodiment thereof.

The side of the table not shown is a mirror image of the side shown in FIG. 4.

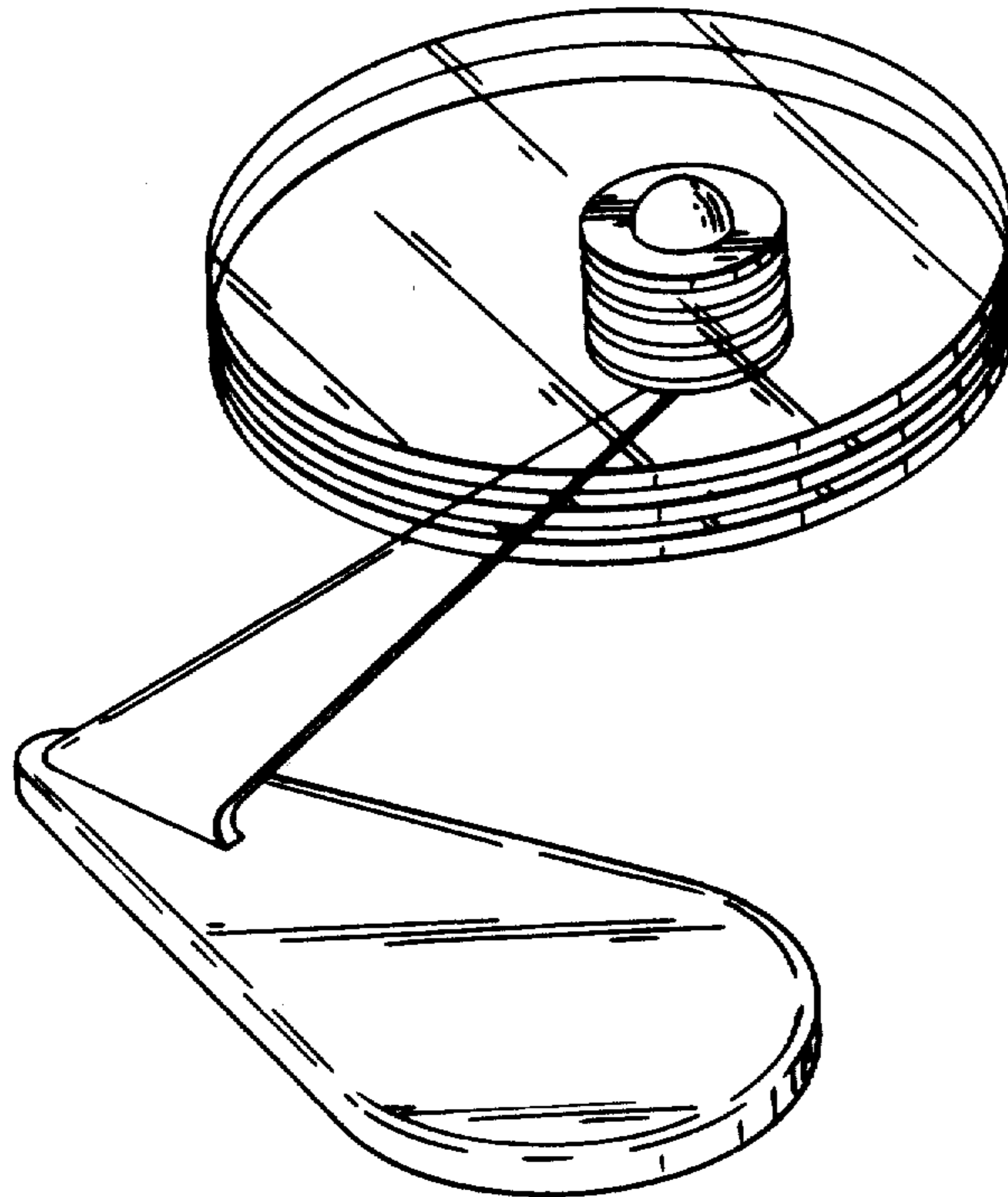


FIG. 1

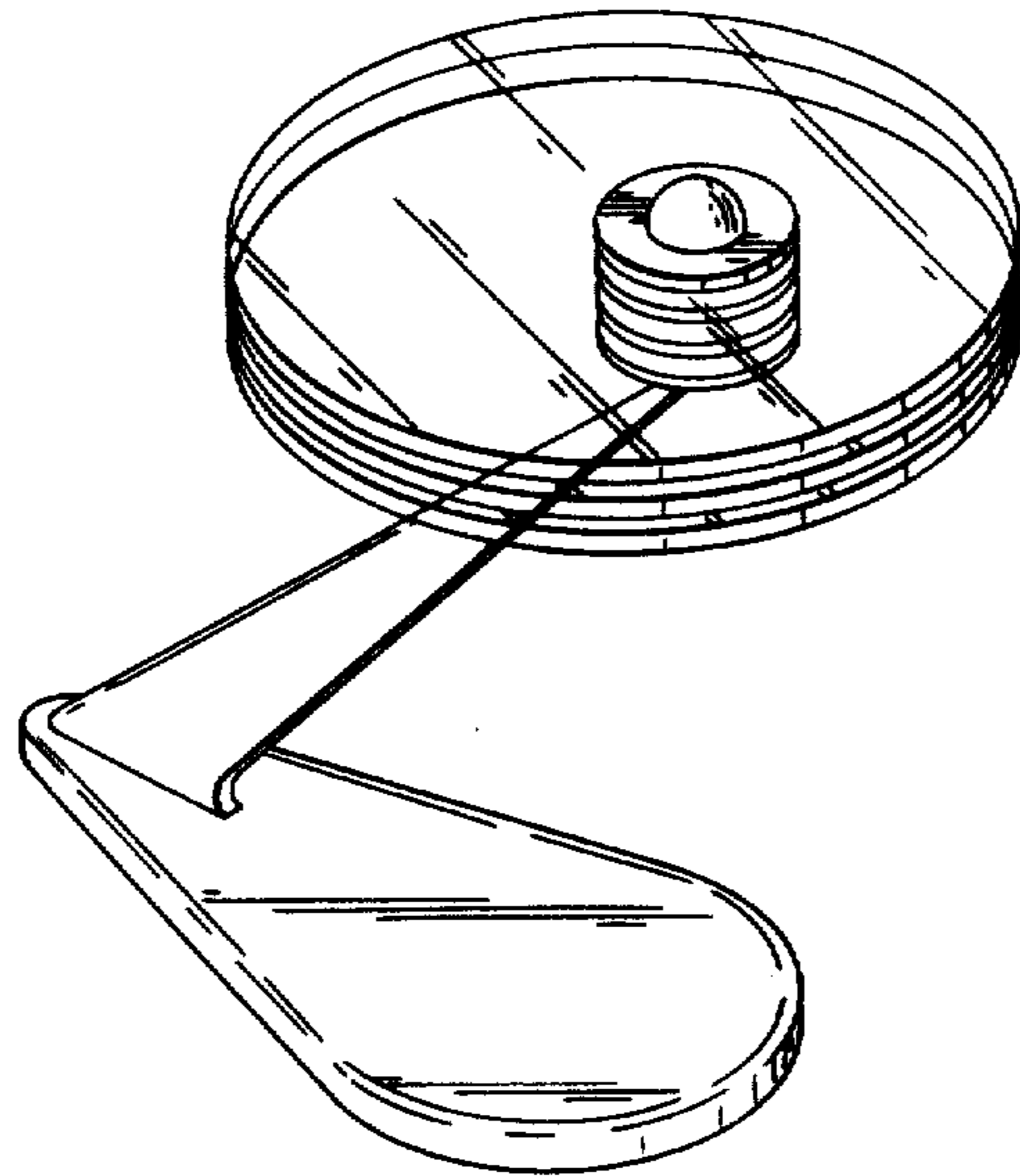


FIG. 2

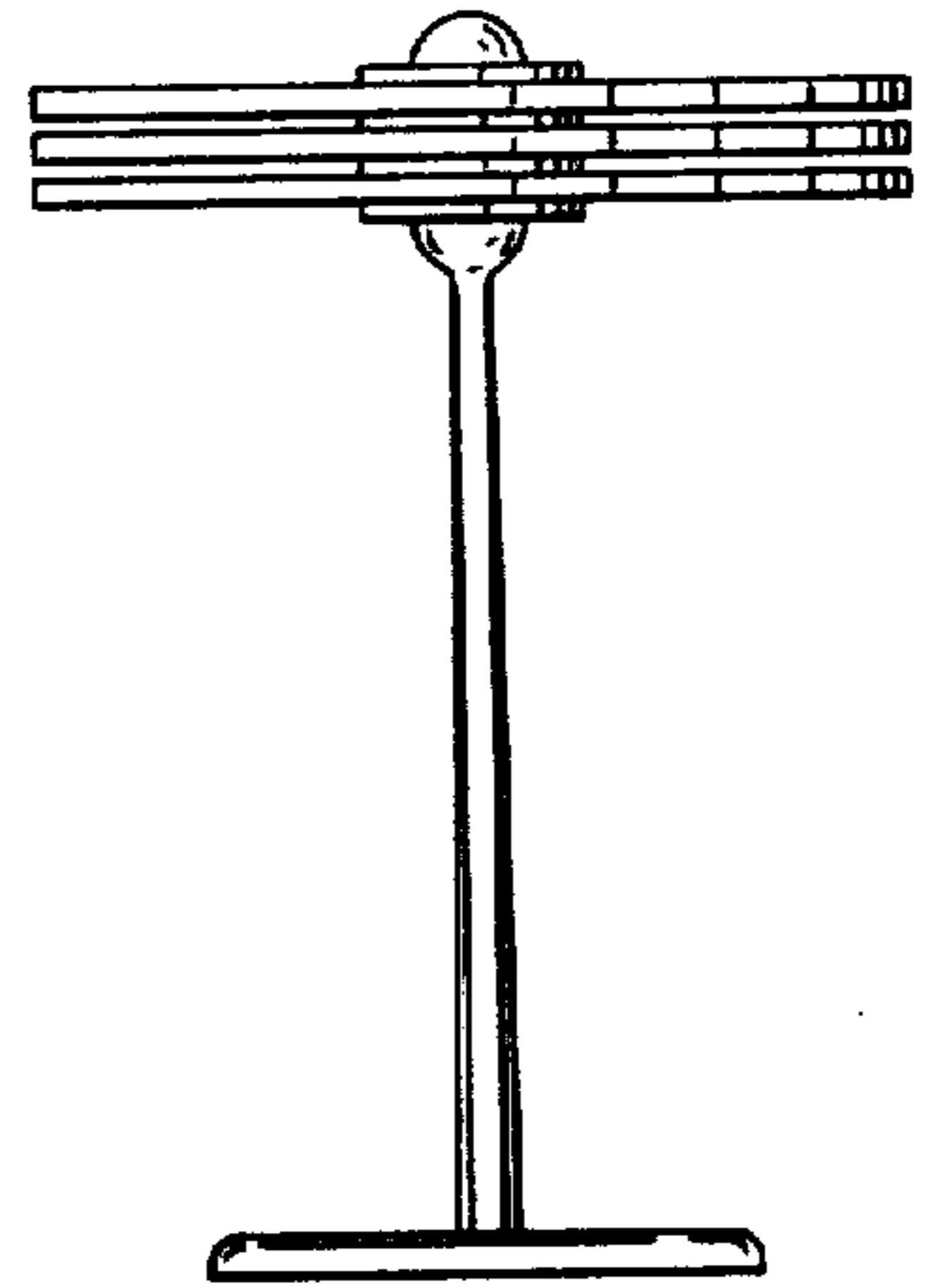


FIG. 3

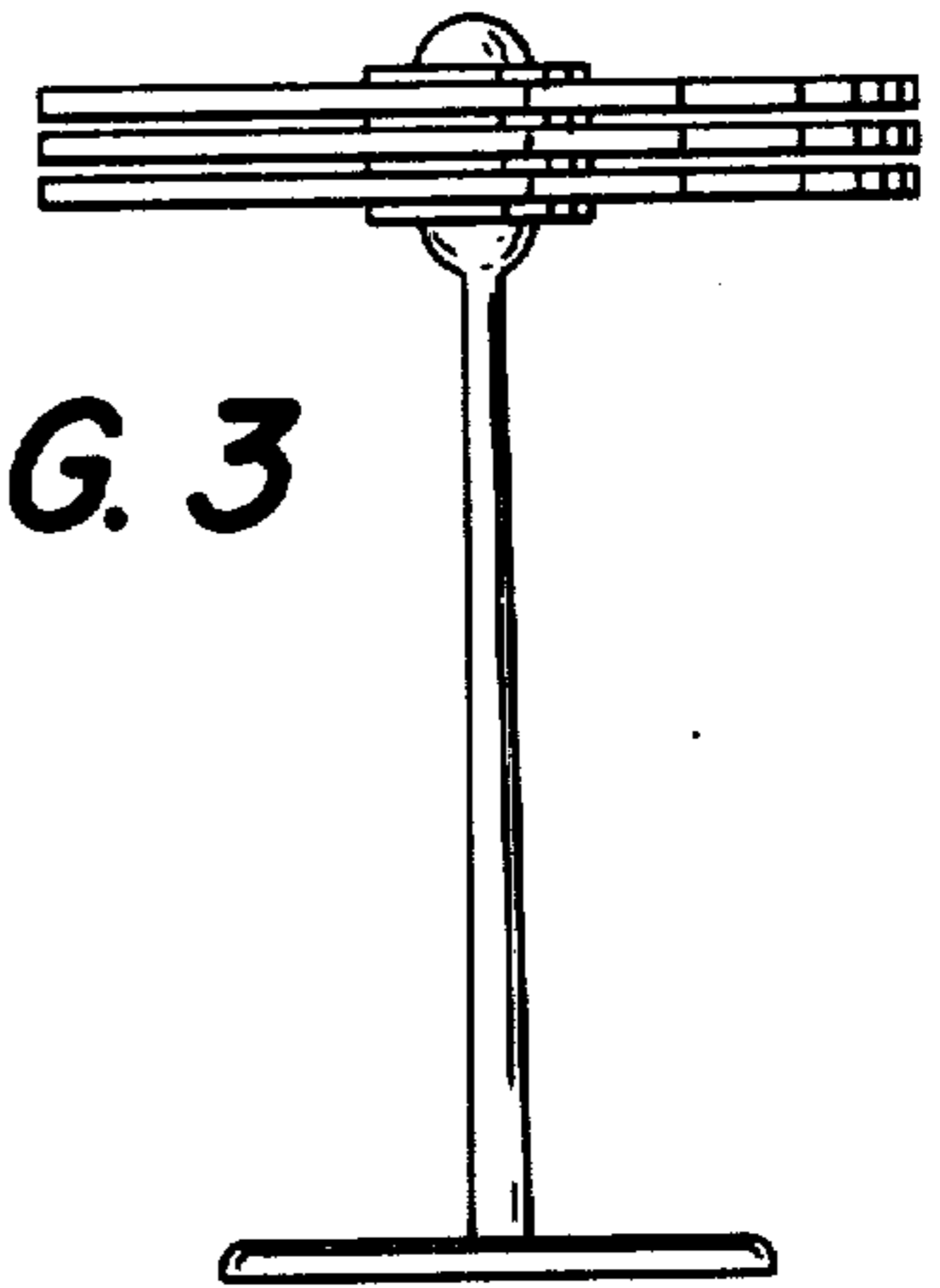


FIG. 4

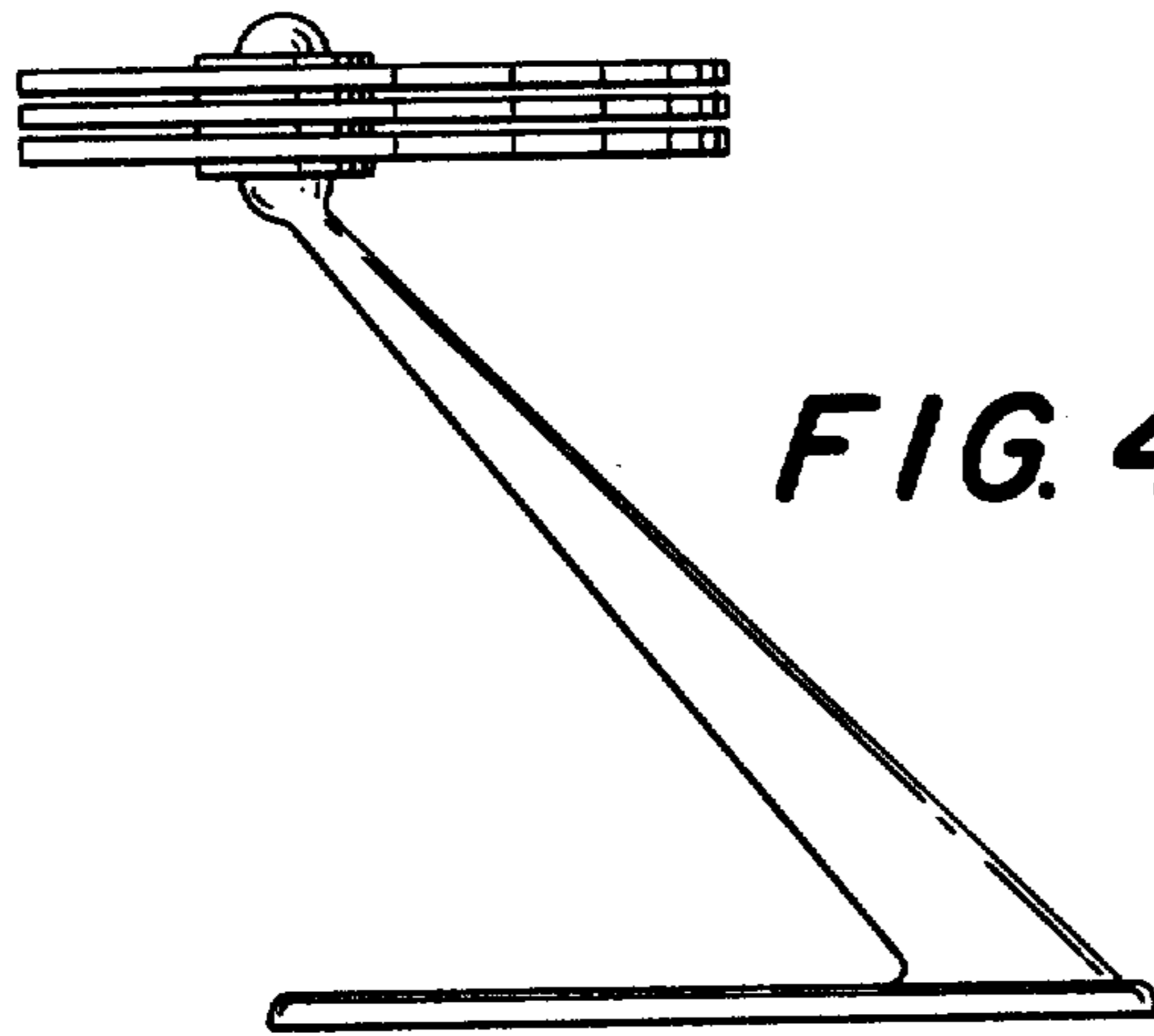


FIG. 6

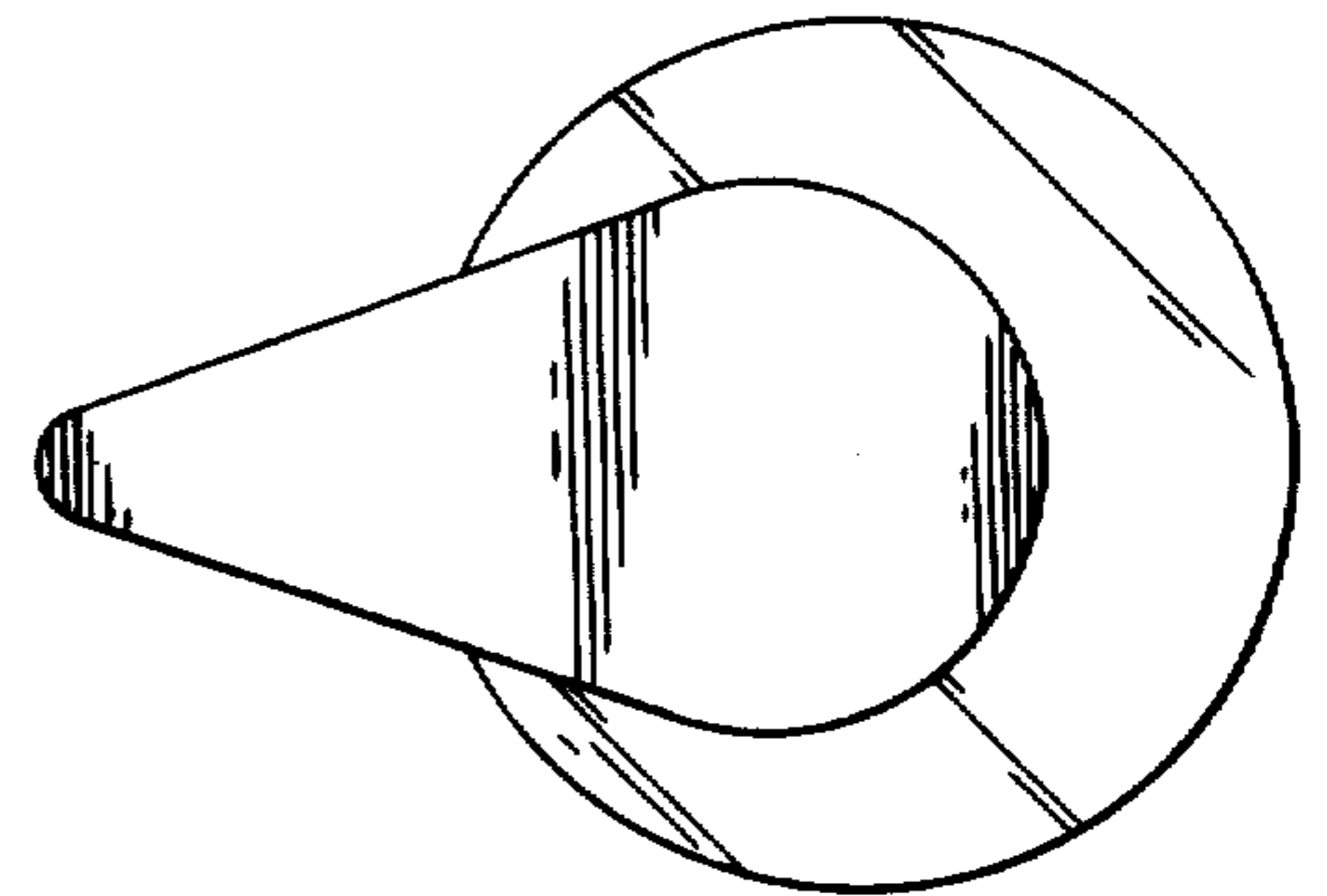


FIG. 5

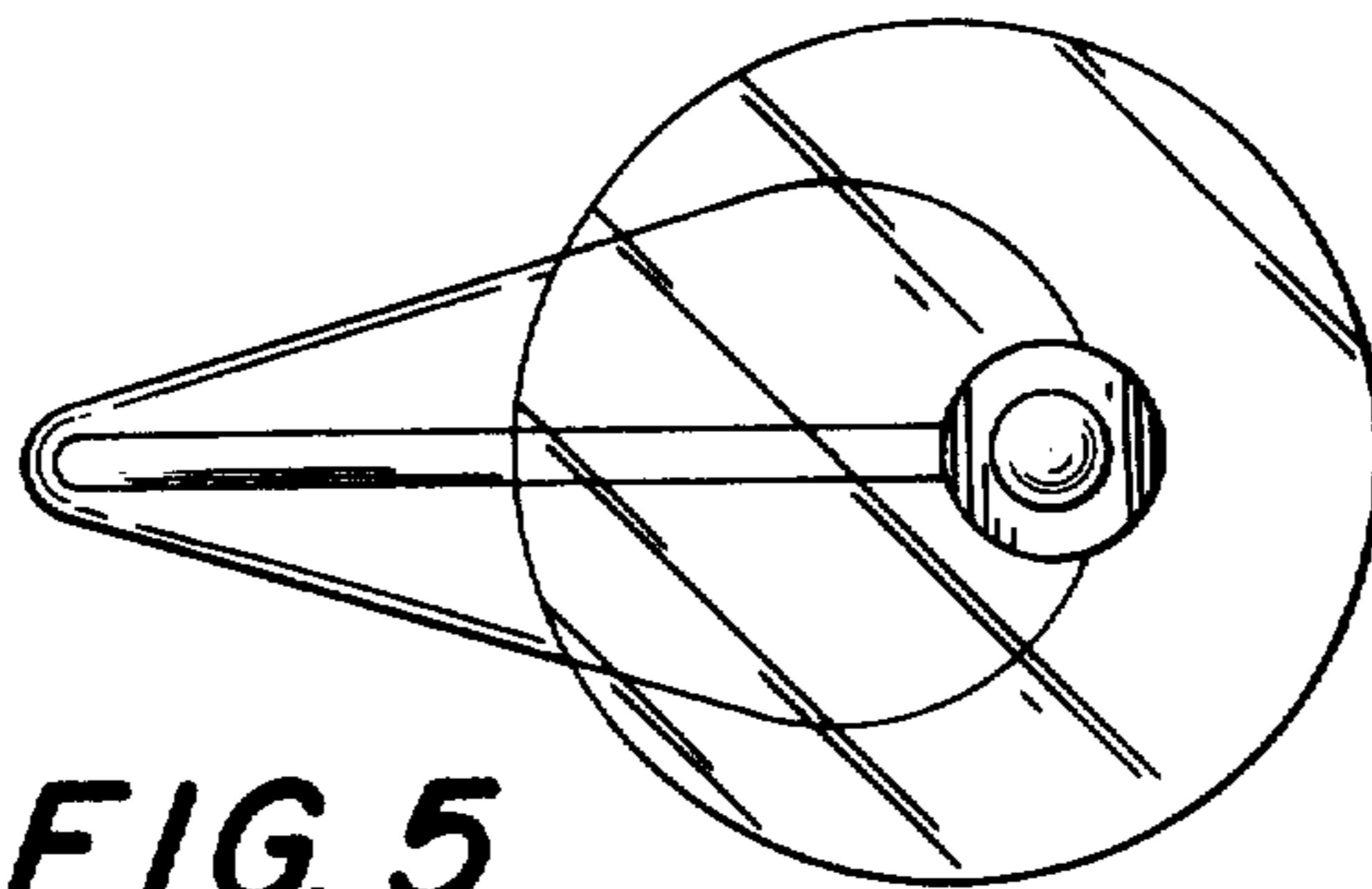


FIG. 7

