

[54] **TOOTHBRUSH**

[75] Inventor: **Gabriele Stocchi, Rome, Italy**

[73] Assignee: **Avantgarde S.p.A., Italy**

[\*\*] Term: **14 Years**

[21] Appl. No.: **263,867**

[22] Filed: **May 15, 1981**

[52] U.S. Cl. .... **D4/25**

[58] Field of Search ..... **D4/24, 25, 28;**  
**15/159 R, 159 A, 160, 167 R, 167 A**

[56] **References Cited**

**U.S. PATENT DOCUMENTS**

- D. 102,048 11/1936 Brothers et al. .... D4/28
- 2,083,217 6/1937 Brothers et al. .... 15/167 R
- 2,186,005 1/1940 Casto ..... 15/167 R
- 2,618,003 11/1952 Robey ..... 15/167 R X

**FOREIGN PATENT DOCUMENTS**

- 383425 3/1908 France ..... 15/167 R
- 22947 10/1928 United Kingdom ..... 15/159 A

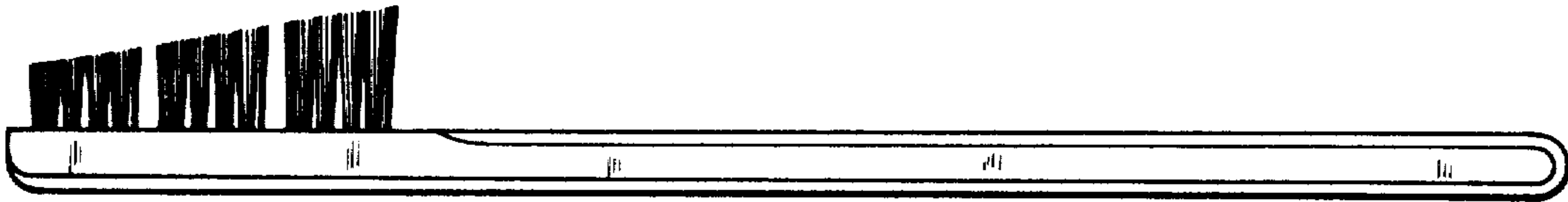
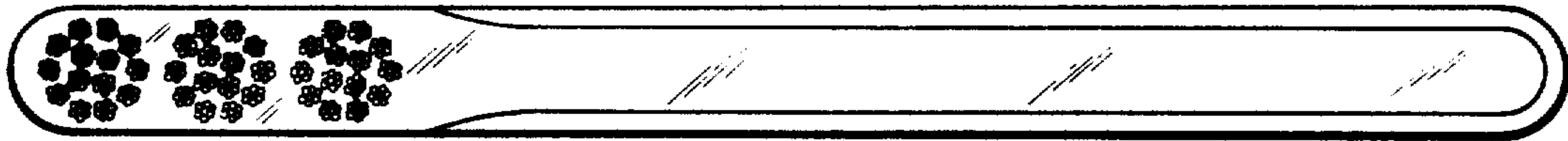
*Primary Examiner*—Catherine E. Kemper  
*Attorney, Agent, or Firm*—McGlew and Tuttle

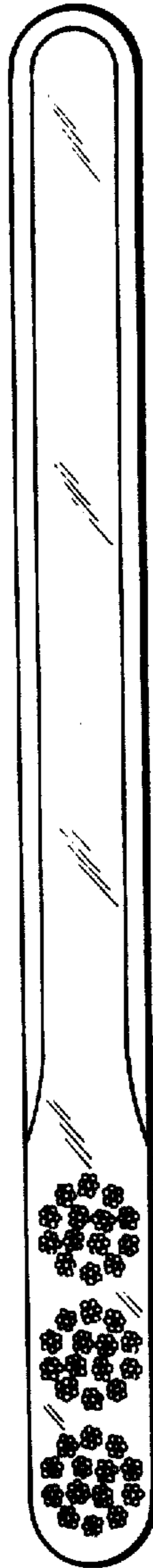
[57] **CLAIM**

The ornamental design for a toothbrush, substantially as described and shown.

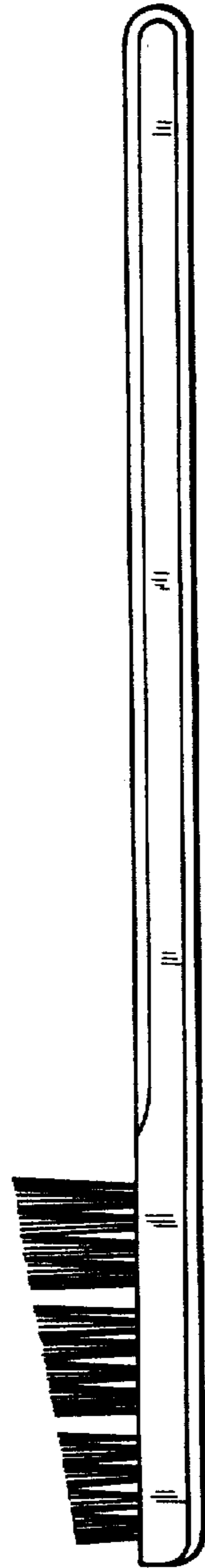
**DESCRIPTION**

FIG. 1 is a side elevational view of a toothbrush, showing my new design;  
FIG. 2 is a top plan view thereof;  
FIG. 3 is a bottom perspective view thereof;  
FIG. 4 is a sectional view taken along line 4—4 of FIG. 3; and  
FIG. 5 is a sectional view taken along line 5—5 of FIG. 3.





*Fig. 2*



*Fig. 1*

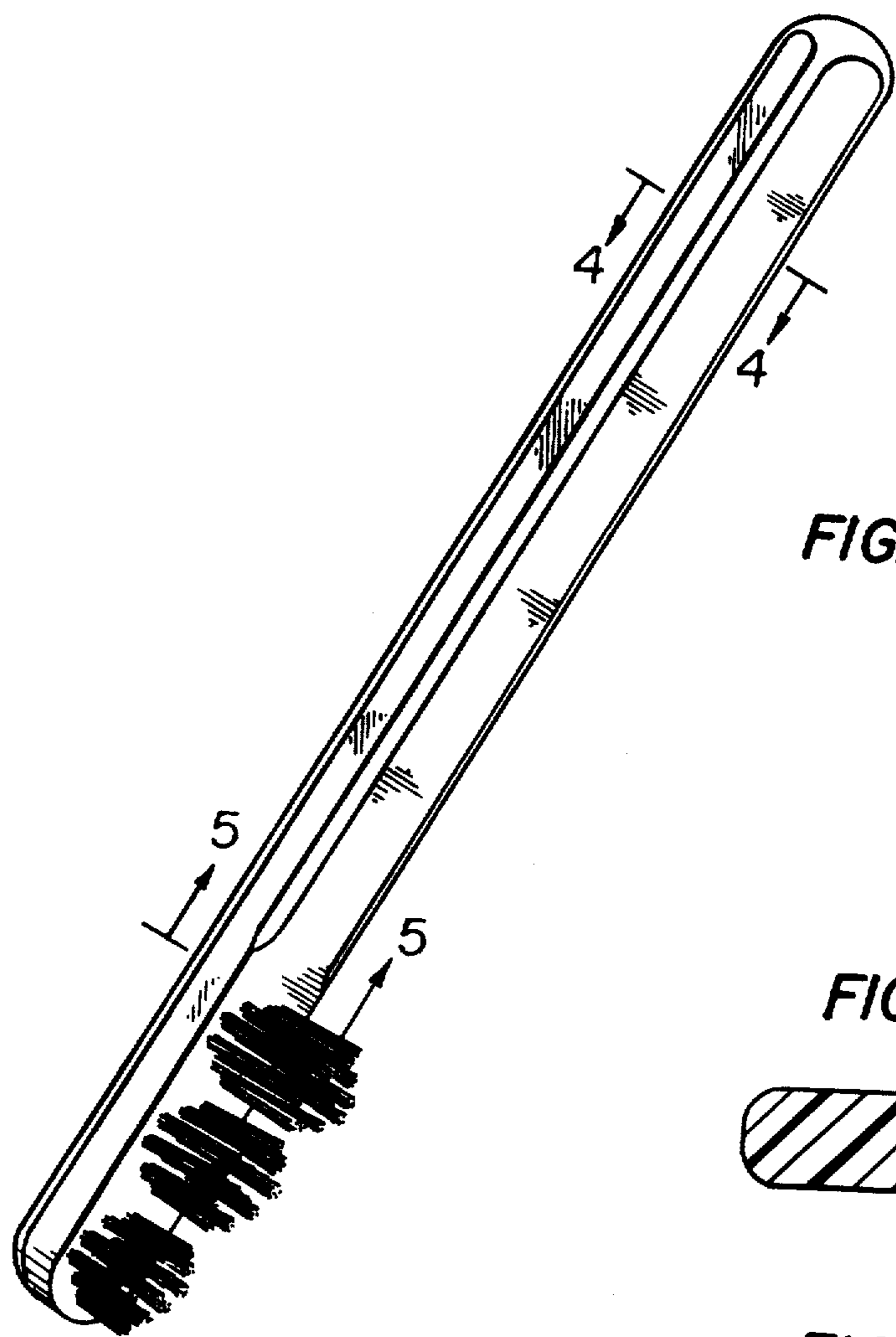


FIG. 3

FIG. 4



FIG. 5

