

[54] **BUTTON**

[75] Inventor: **Rolf Hoffmann**, Moenchengladbach, Fed. Rep. of Germany

[73] Assignee: **Princeton Sportwear Corporation**, Hopelawn, N.J.

[**] Term: **14 Years**

[21] Appl. No.: **267,772**

[22] Filed: **May 28, 1981**

[52] U.S. Cl. **D2/449**

[58] Field of Search **D2/449, 447, 450; 24/90 R, 90 A, 90 TA, 93**

D. 107,023 11/1937 Lichter D2/449
 D. 113,227 2/1939 Jette D2/449

OTHER PUBLICATIONS

Notion and Novelty Review, Oct. 1935, p. 33; Circular Button #6.

Primary Examiner—Winifred E. Herrmann
Assistant Examiner—Carmen H. Vales
Attorney, Agent, or Firm—Hedman, Gibson, Costigan & Hoare

CLAIM

The ornamental design for a button, as shown and described.

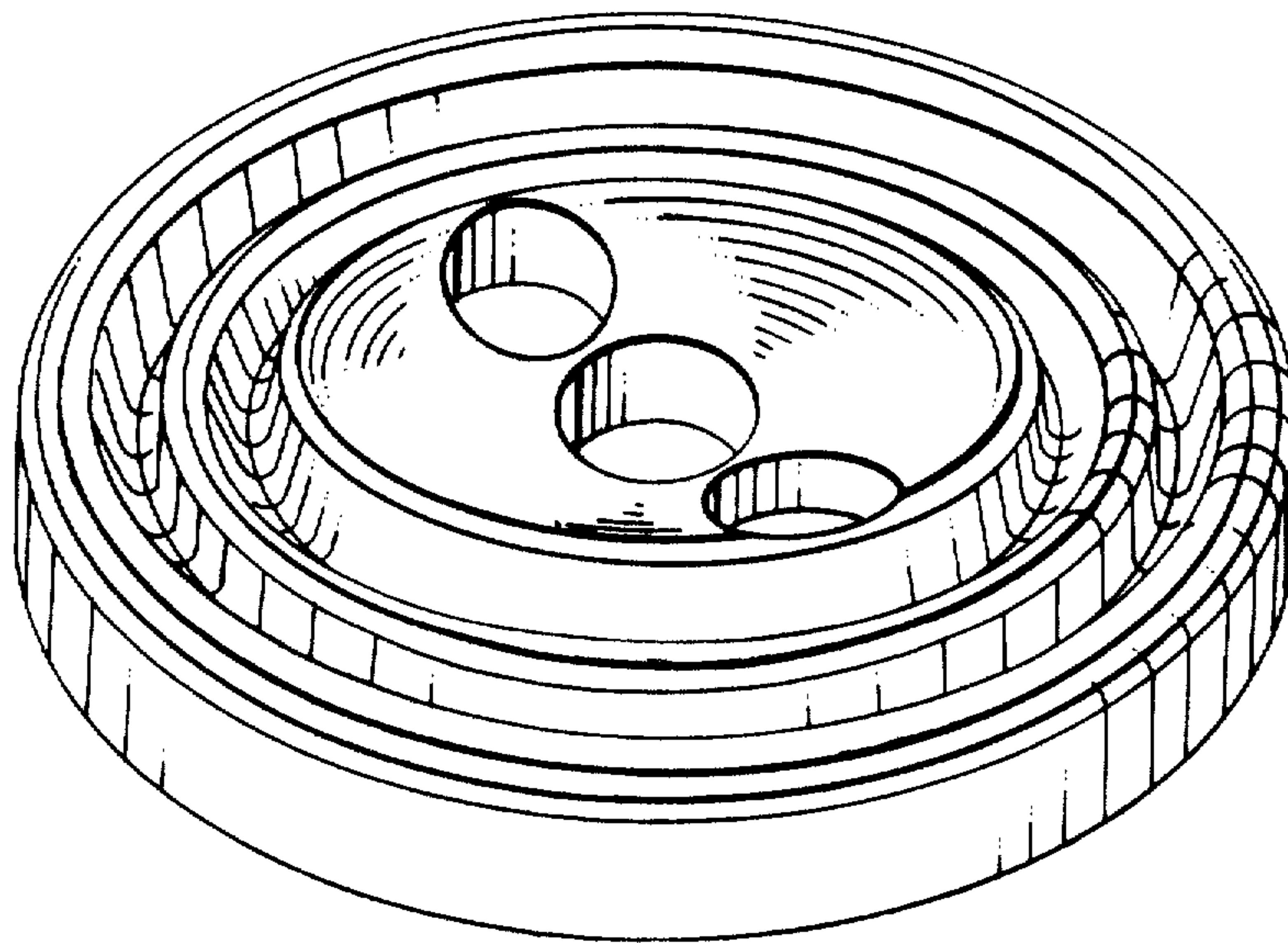
DESCRIPTION

FIG. 1 is a top perspective view of a button showing my new design;
 FIG. 2 is a bottom perspective view thereof; and
 FIG. 3 is a side elevational view thereof.

References Cited

U.S. PATENT DOCUMENTS

D. 24,299 5/1895 Greenwald D2/449
 D. 90,682 9/1933 Rosenthal D2/449
 D. 90,686 9/1933 Shadlowsky D2/449



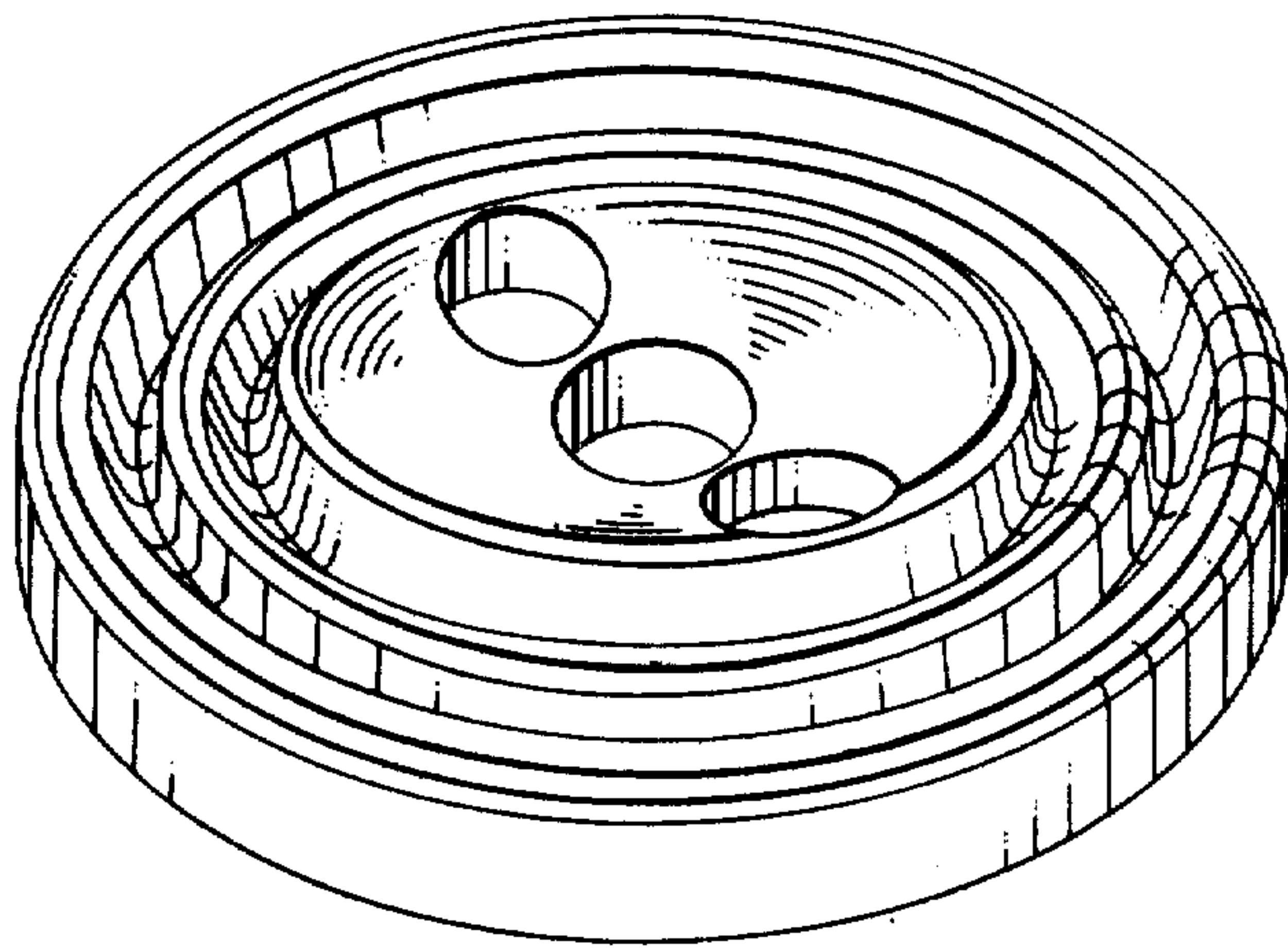


FIG. 1

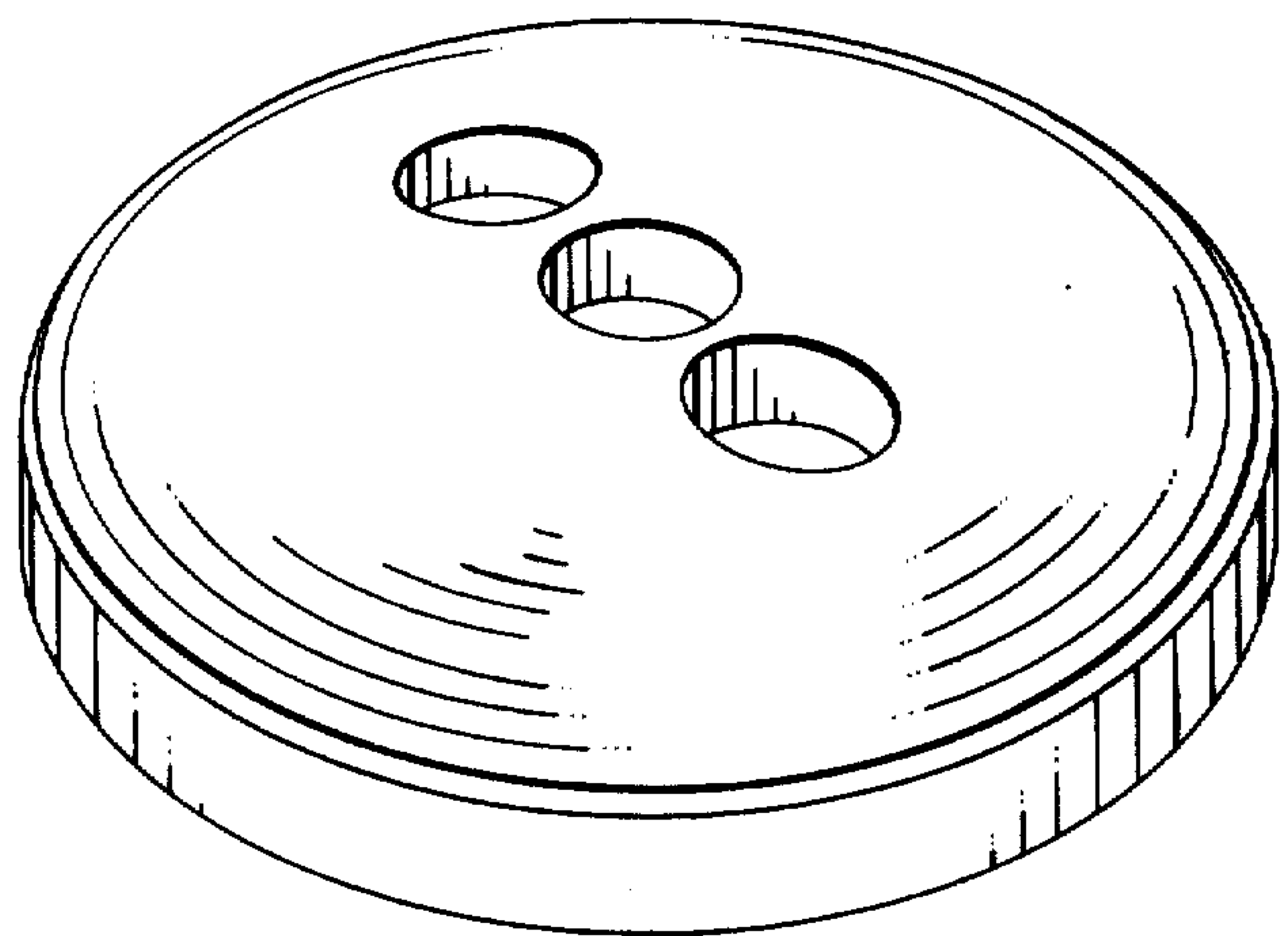


FIG. 2

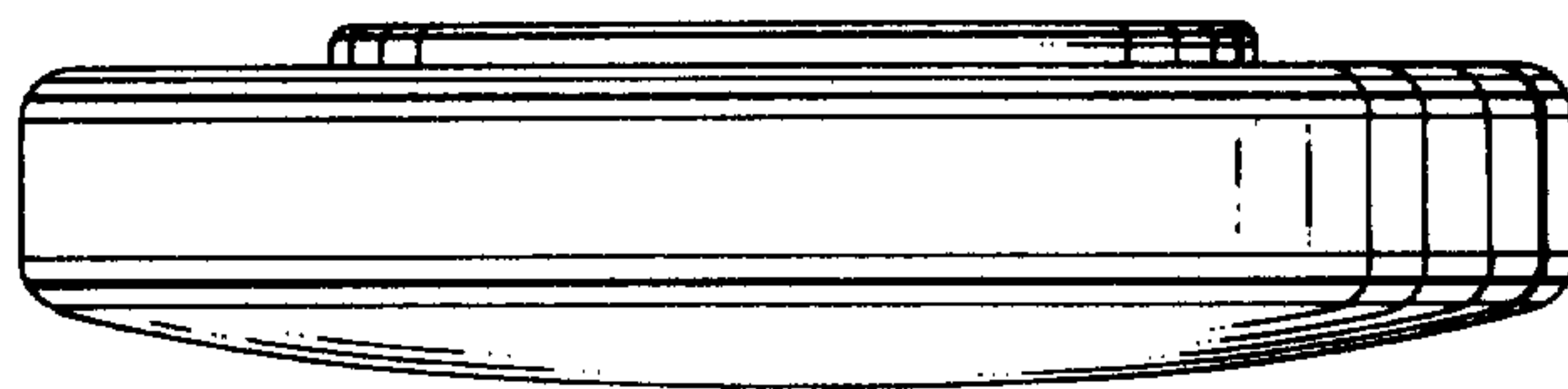


FIG. 3