

[54] **VACUUM CLEANER ACCESS PLATE**

[75] **Inventor:** Don W. Vermillion, Anderson, S.C.

[73] **Assignee:** The Singer Company, Stamford, Conn.

[*] **Notice:** The portion of the term of this patent subsequent to Sep. 22, 1995 has been disclaimed.

[**] **Term:** 14 Years

[21] **Appl. No.:** 284,032

[22] **Filed:** Jul. 17, 1981

[52] **U.S. Cl.** D32/31

[58] **Field of Search** D32/31, 33, 32;
15/327 R, 410, 143 R, 143 A, 143 B, 257 A,
400, 415

[56] **References Cited**

U.S. PATENT DOCUMENTS

D. 184,278	1/1959	Descaries	D32/31
D. 260,901	9/1981	Vermillion	D32/32
2,980,939	4/1961	Sparklin et al.	15/410
4,167,801	9/1979	Erbor et al.	15/377

Primary Examiner—Wallace R. Burke

Assistant Examiner—Lynn Wilder

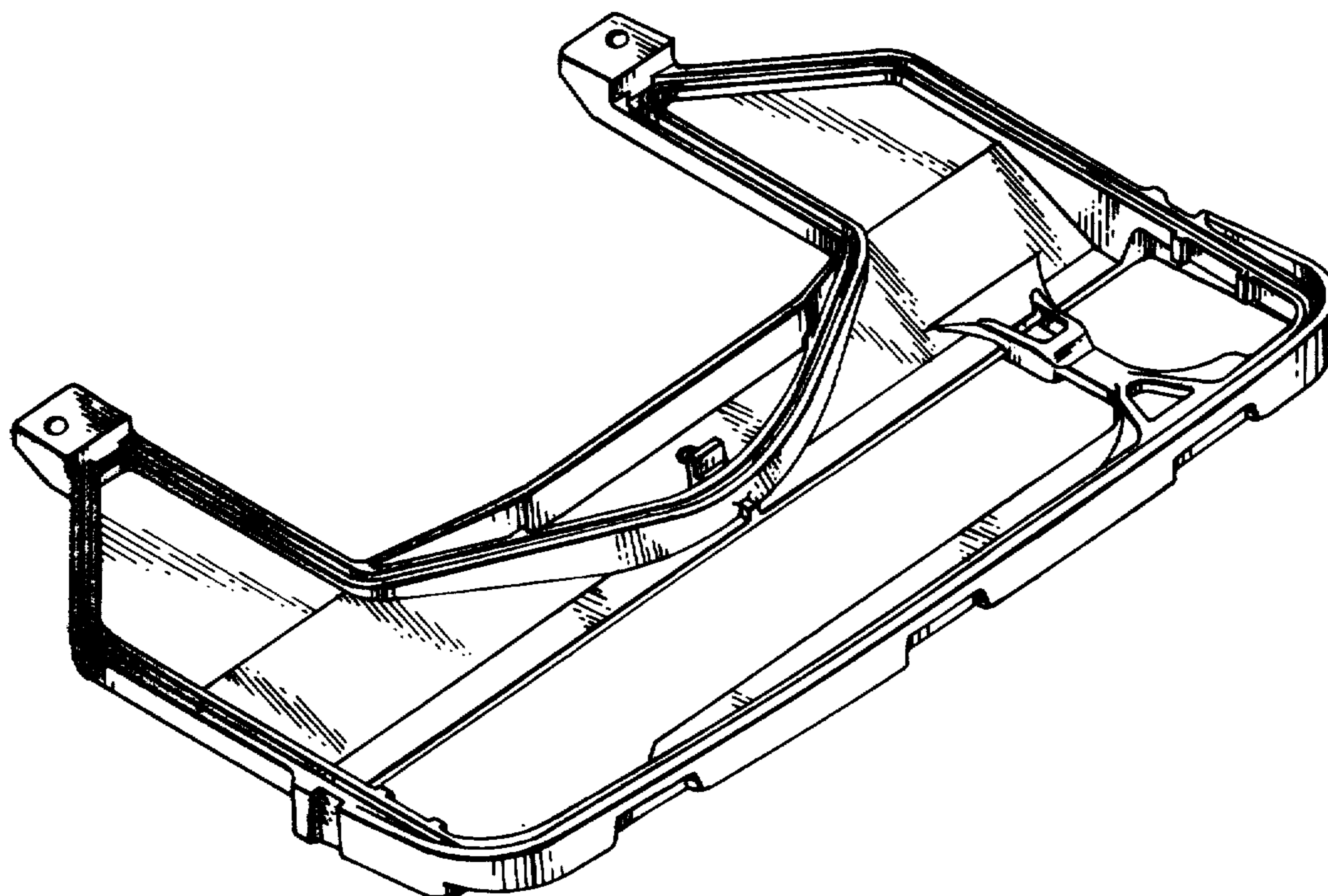
Attorney, Agent, or Firm—Edward P. Schmidt; Robert E. Smith; Edward L. Bell

[57] **CLAIM**

The ornamental design for a vacuum cleaner access plate, substantially shown and described.

DESCRIPTION

FIG. 1 is a top perspective view of a vacuum cleaner access plate showing my new design; FIG. 2 is a bottom perspective view thereof; and FIG. 3 is a right side elevational view thereof, the other side being a mirror image.



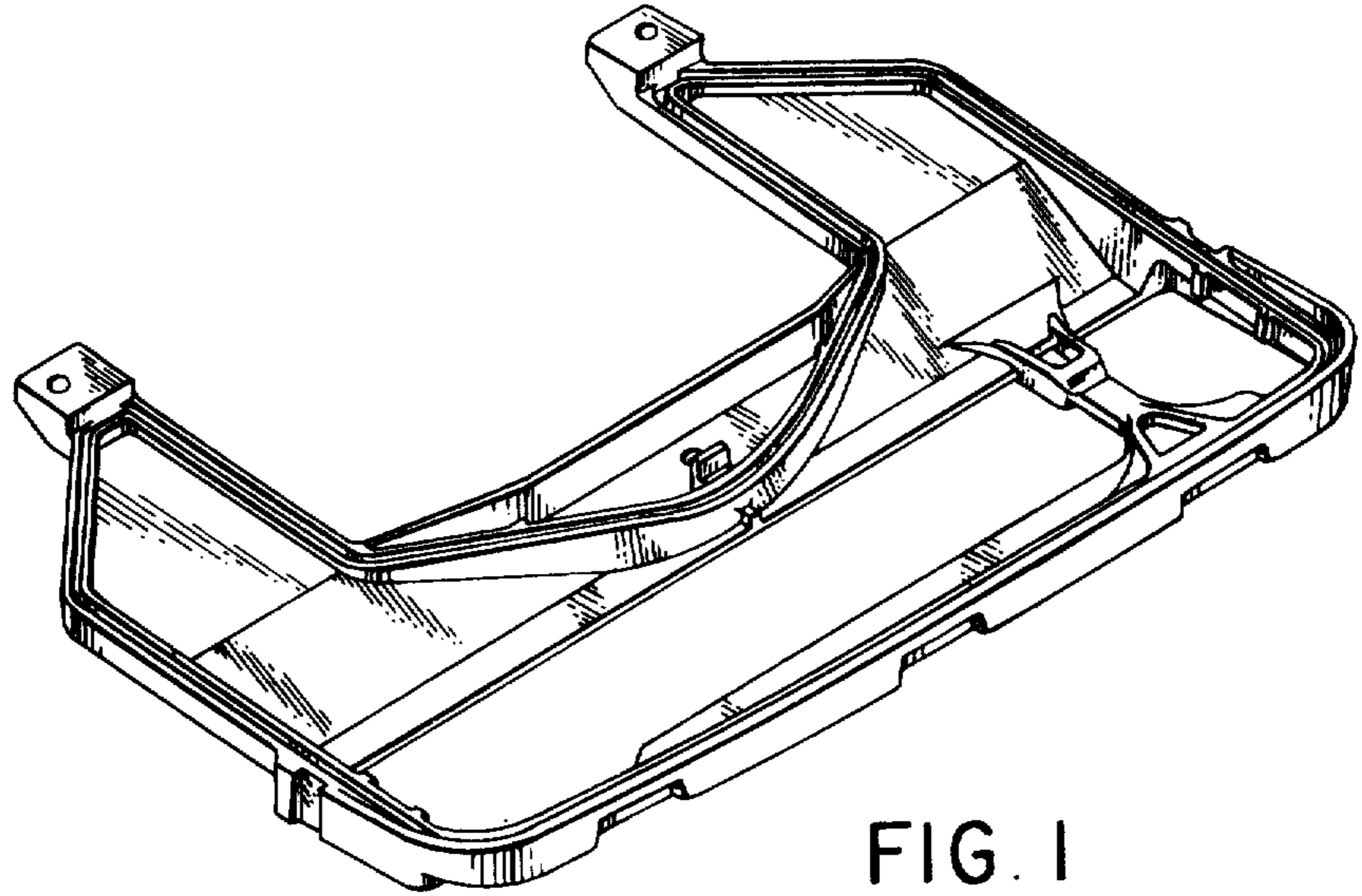


FIG. 1

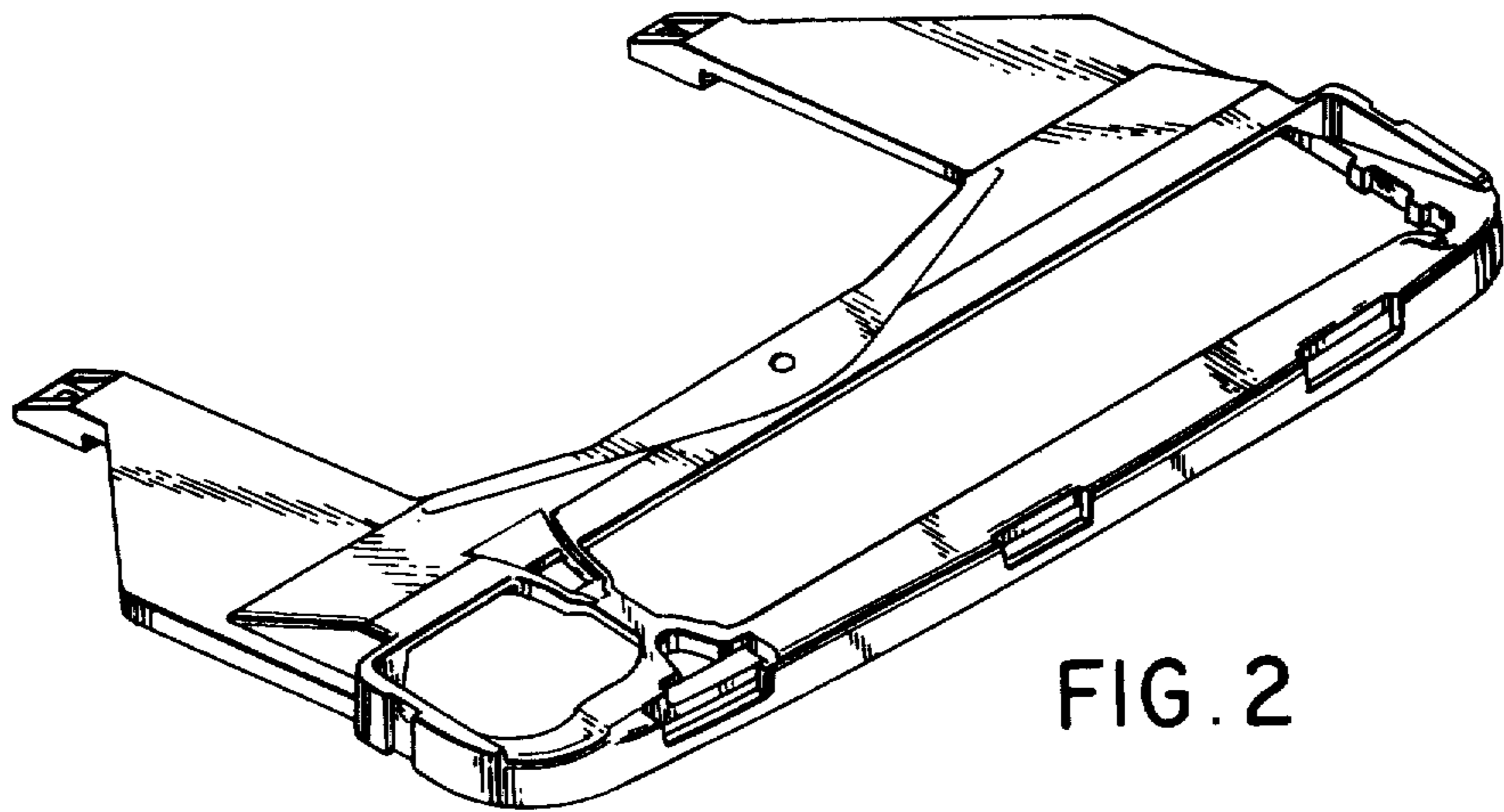


FIG. 2

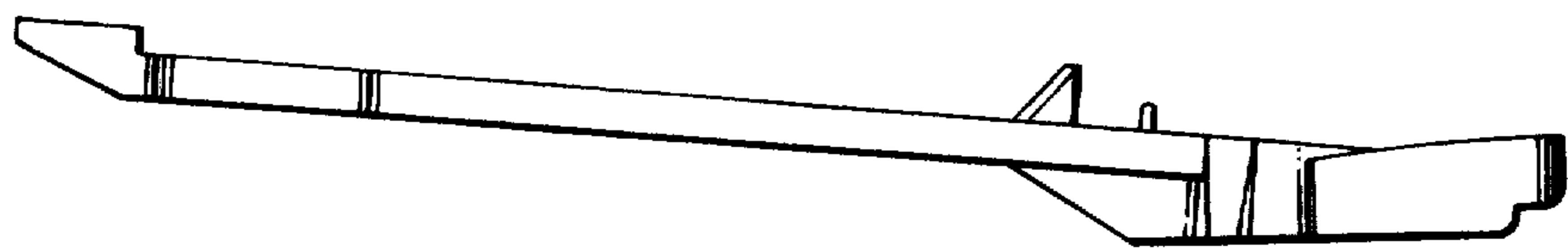


FIG. 3