

[54] FLOOR MAINTENANCE MACHINE

[75] Inventors: Neil F. Brown, Minneapolis; Roger D. Star, Wayzata; Logan W. Johnson, Edina, all of Minn.

[73] Assignee: Tennant Company, Minneapolis, Minn.

[\*\*] Term: 14 Years

[21] Appl. No.: 416,656

[22] Filed: Sep. 10, 1982

[52] U.S. Cl. .... D32/16

[58] Field of Search ..... D32/15, 16; 15/48, 49 R, 15/50 R, 300, 320-327, 340, 353

[56] References Cited

U.S. PATENT DOCUMENTS

D. 189,718	2/1961	Patch	.....	D32/16
D. 257,845	1/1981	Peabody et al.	.....	D32/16
3,701,177	10/1972	Meyer et al.	.....	15/320
4,009,500	3/1977	Ashton	.....	15/50 R

OTHER PUBLICATIONS

Modern Material Handling-May 1961-p. 218 Tennant "85" Sweeper.

Industrial Equipment News-Jul. 1980-p. 25 FMC Sweeper Model 67.

IEN-Aug. 1980-p. 118 American Lincoln Sweeper.

Primary Examiner-Catherine E. Kemper

Assistant Examiner-Lynn Wilder

Attorney, Agent, or Firm-Merchant, Gould, Smith, Edell, Welter & Schmidt

[57] CLAIM

The ornamental design for a floor maintenance machine, substantially as shown.

DESCRIPTION

FIG. 1 is a front perspective view of a floor maintenance machine showing our new design;

FIG. 2 is a right side elevational view thereof;

FIG. 3 is a left side elevational view thereof;

FIG. 4 is a top plan view thereof;

FIG. 5 is a front elevational view thereof;

FIG. 6 is a rear elevational view thereof.

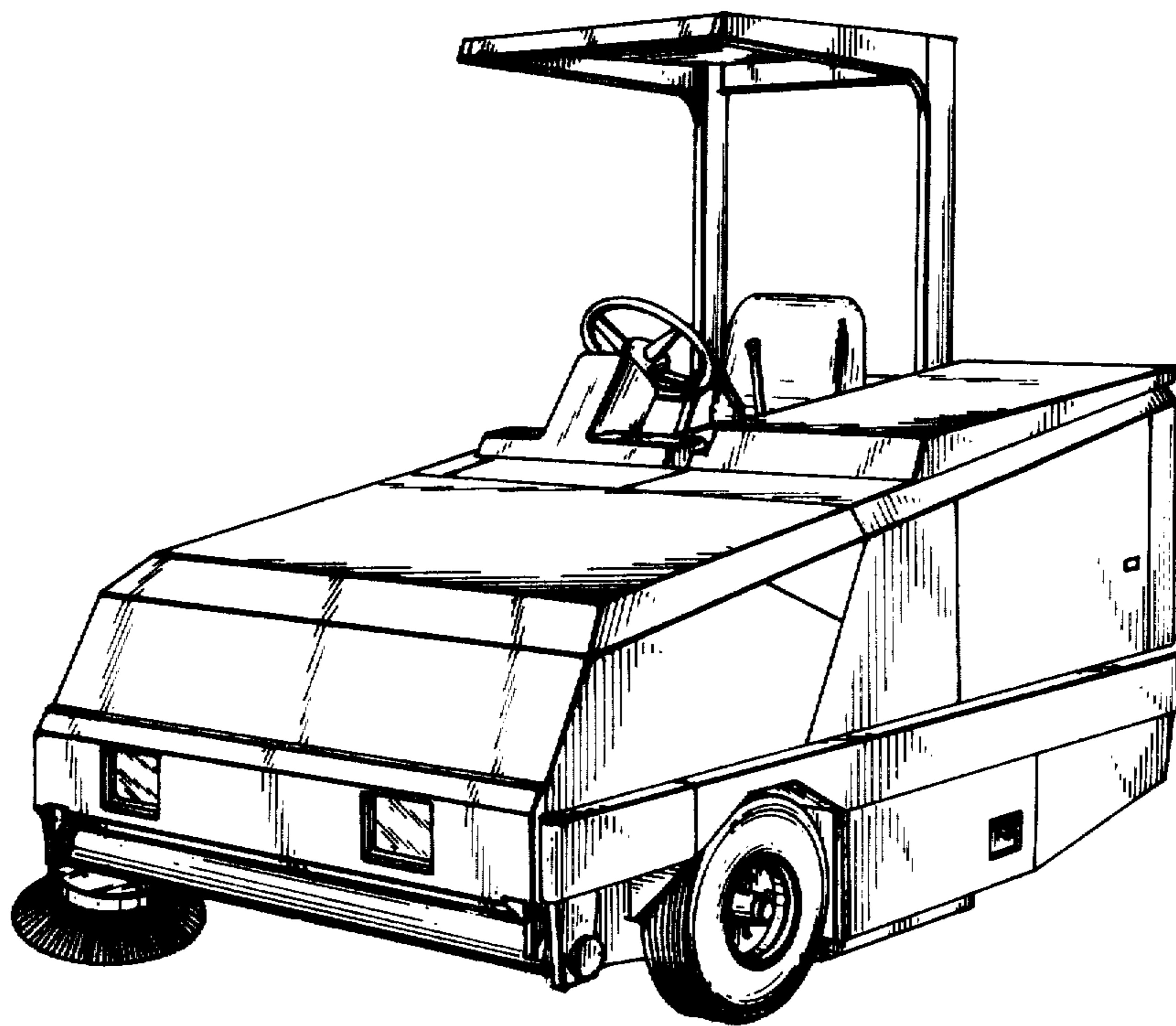


FIG. 1

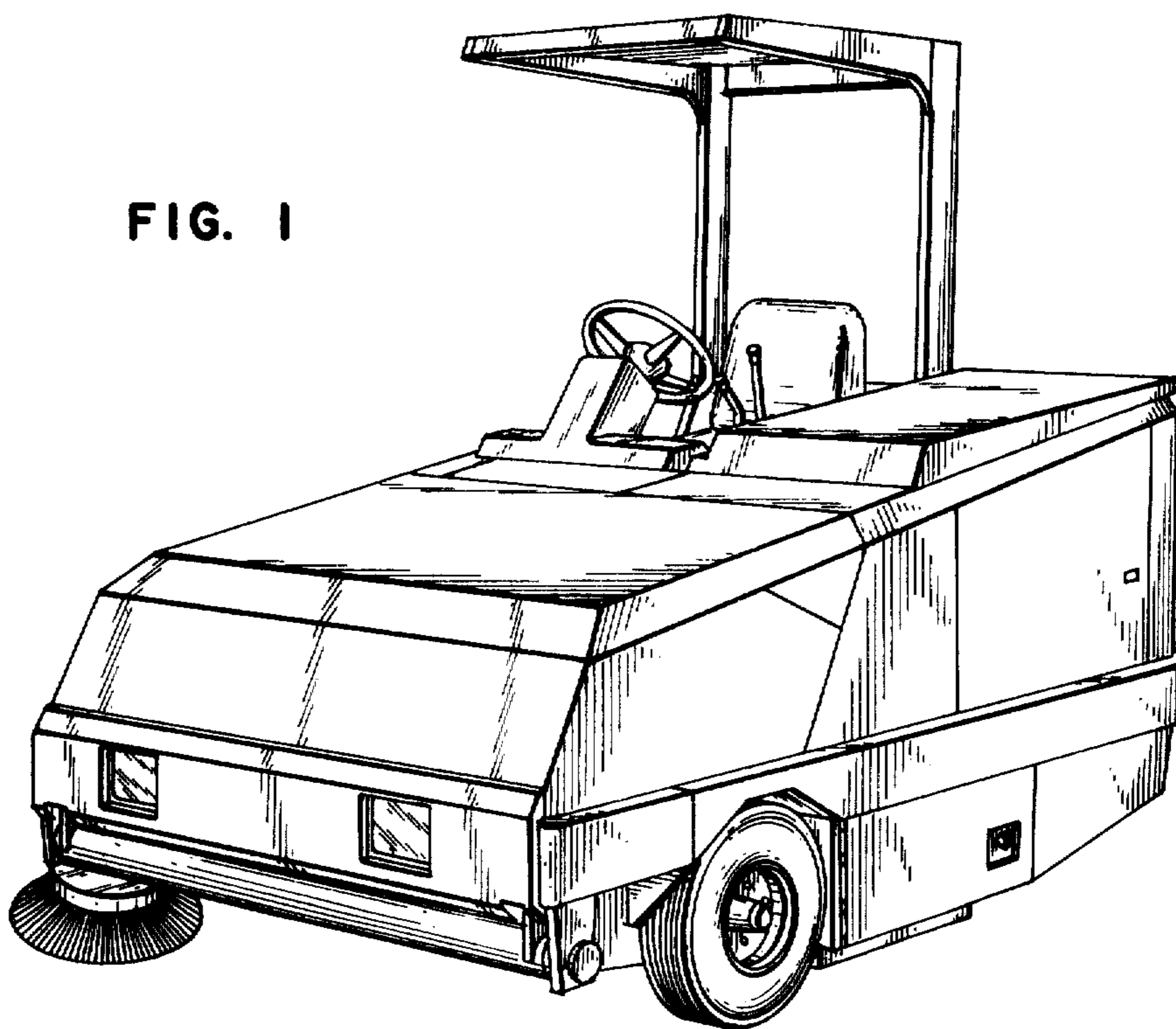


FIG. 2

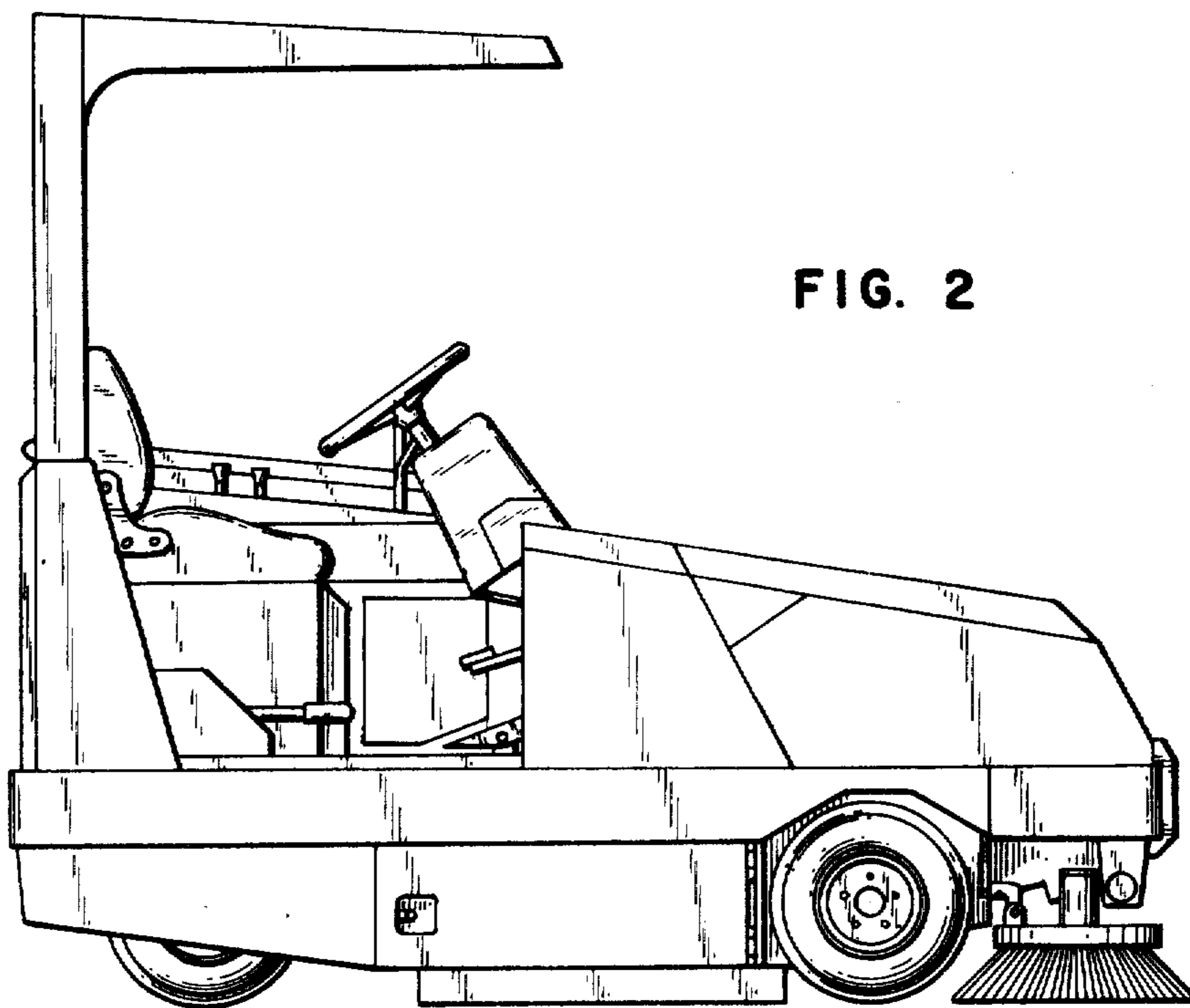


FIG. 3

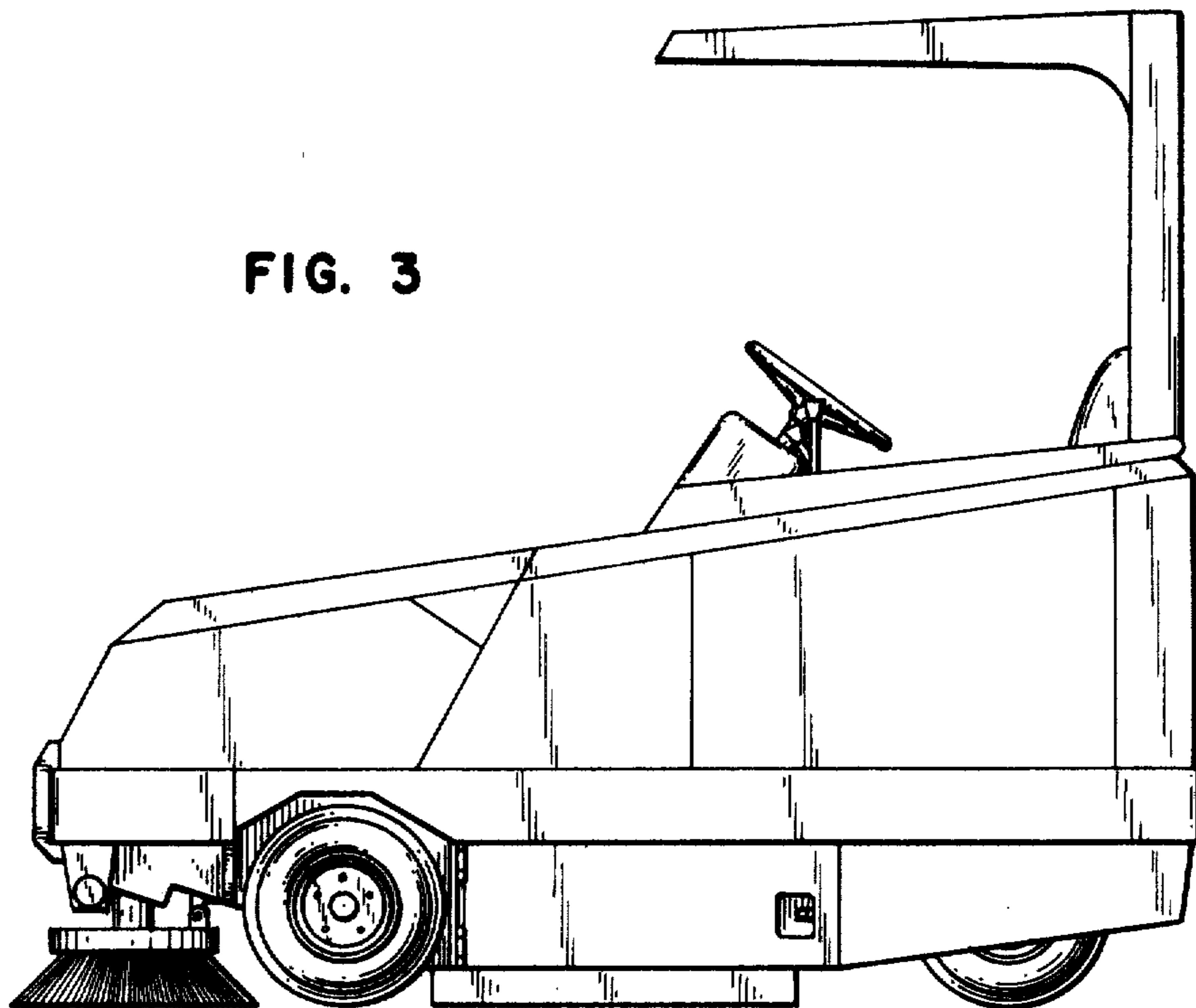
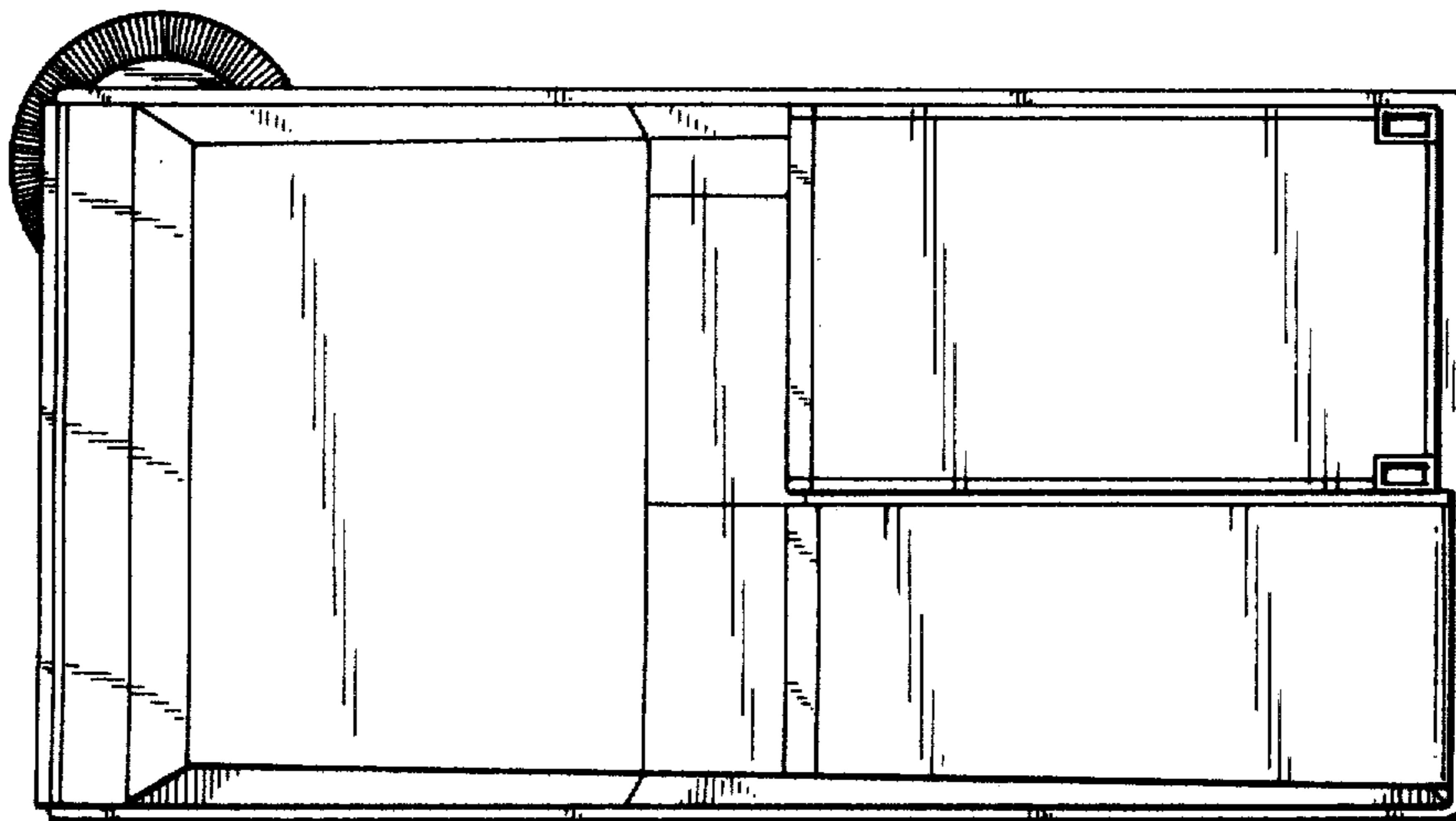


FIG. 4



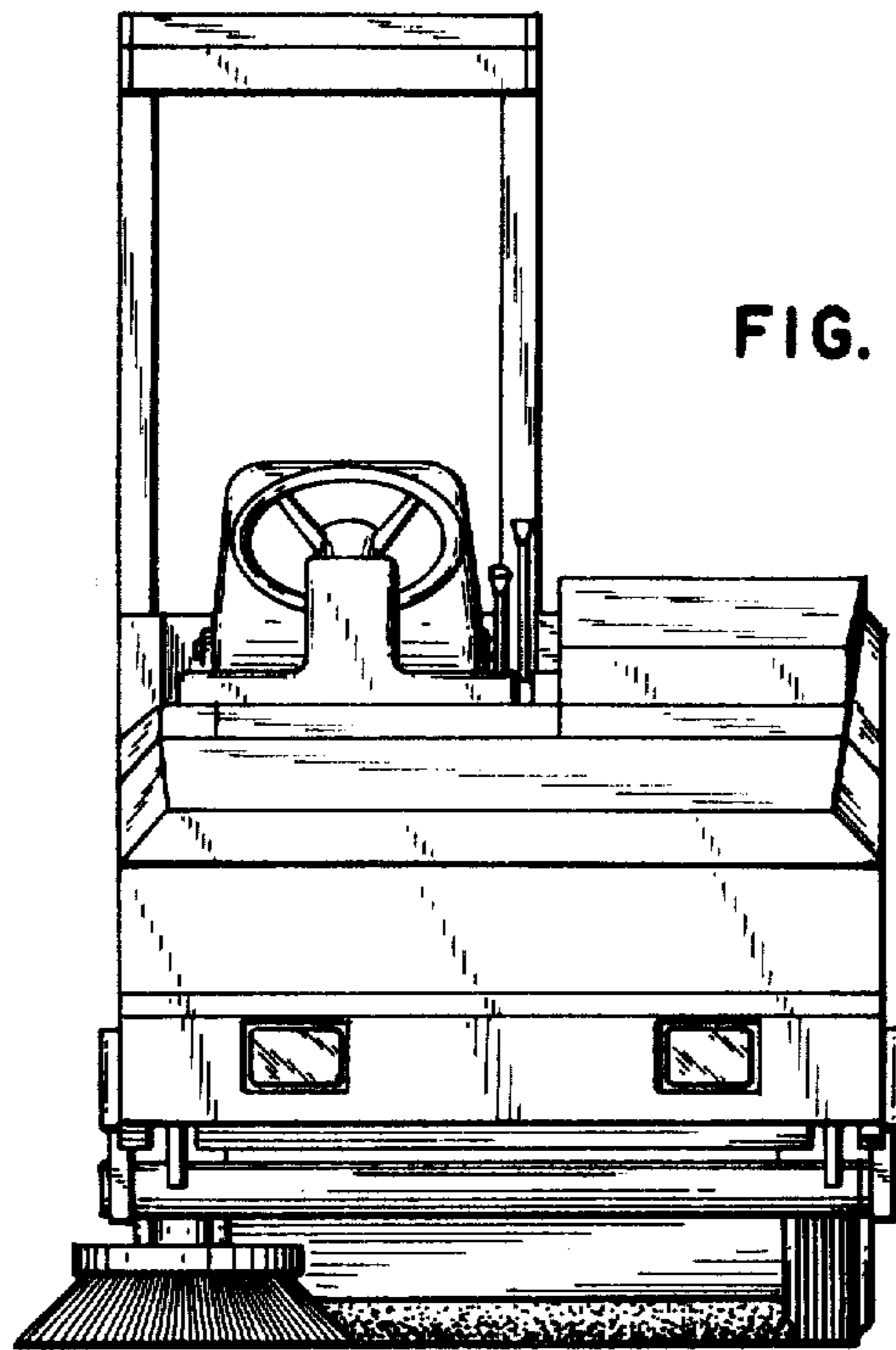


FIG. 5

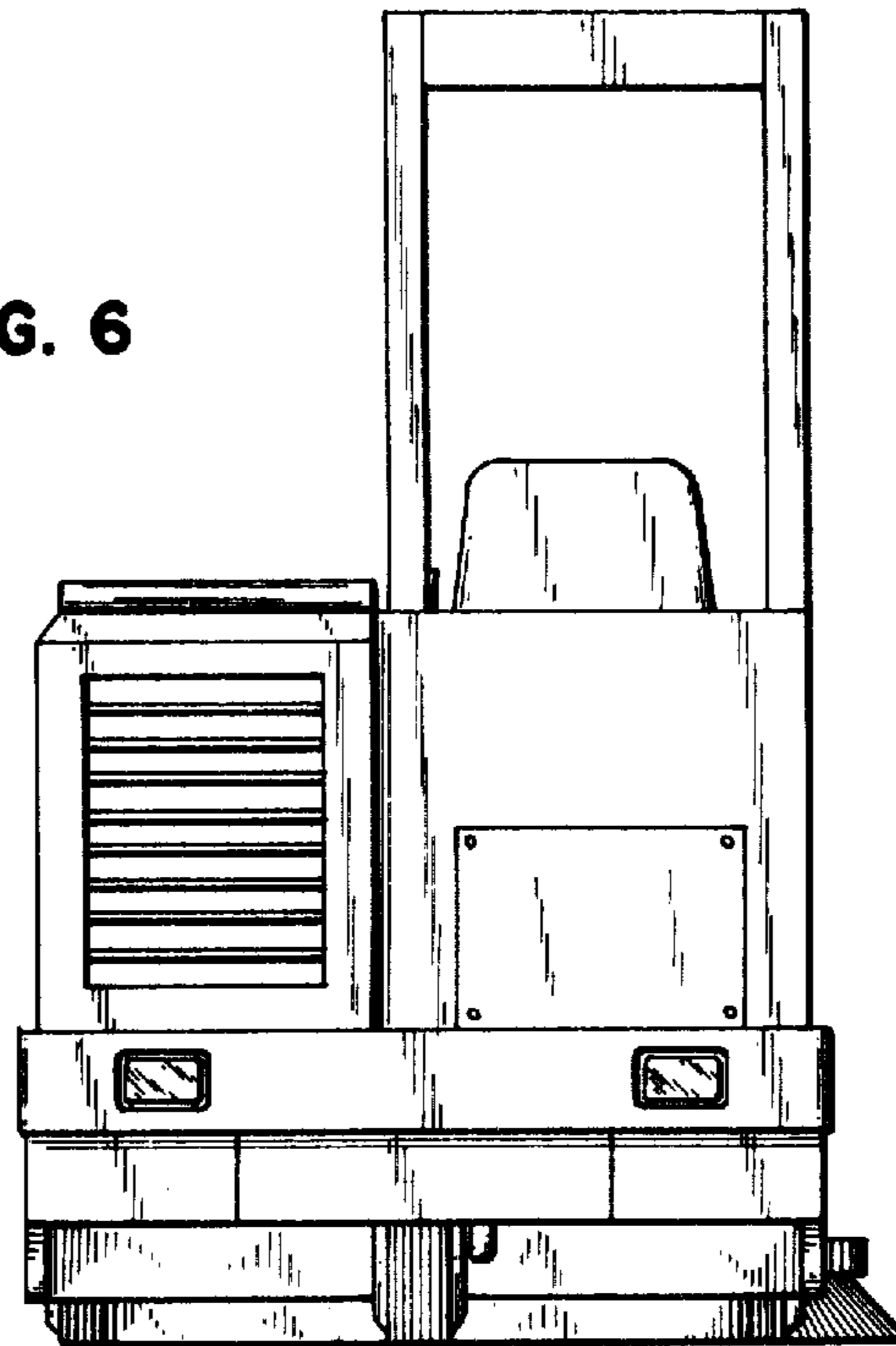


FIG. 6